



VKD/CE - VKD/CP DN 65÷100

PVC-U/PVC-C/PP-H/PVDF

ELECTRICALLY OR PNEUMATICALLY ACTUATED
TWO-WAY DUAL BLOCK® BALL VALVE



VKD/CE – VKD/CP DN 65÷100

FIP has developed a VKD DUAL BLOCK® ball valve to introduce a high reference standard in thermosplastic valve design. VKD is a True Union ball valve that meets the most stringent needs required by industrial applications.



ELECTRICALLY OR PNEUMATICALLY ACTUATED TWO-WAY DUAL BLOCK® BALL VALVE

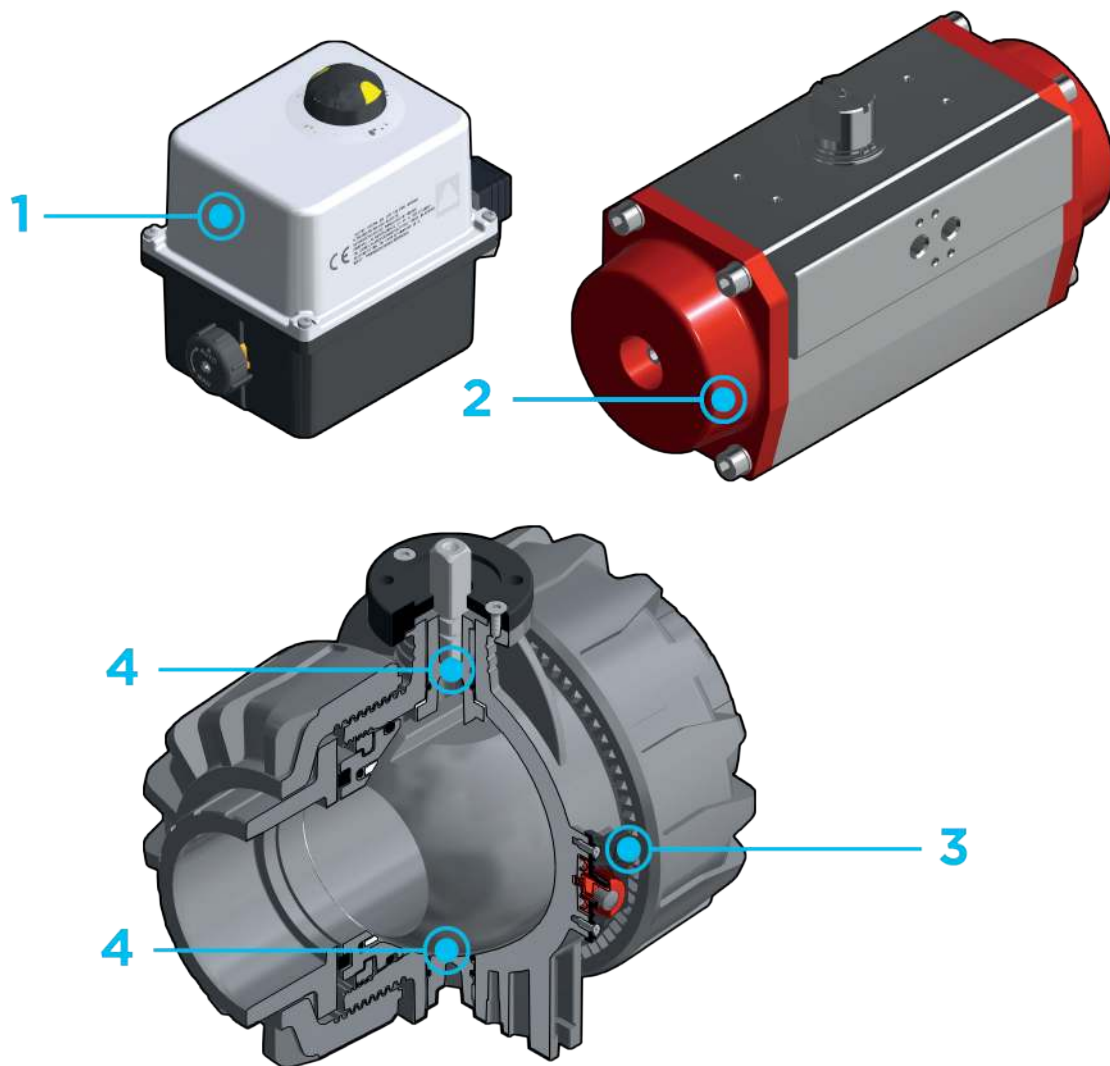
- Joint system for solvent welding (PVC-U and PVC-C only), for welding (PP-H and PVDF only), for threading and flanging
- Patented **SEAT STOP®** ball carrier system that lets you micro-adjust ball seats and minimise the axial force effect
- Easy radial disassembly allowing quick replacement of O-rings and ball seats without any need for tools
- Radial dismounting valve body (True Union) made for PVC-U, PVC-C and PP-H injection moulding equipped with built-in bores for actuation. ISO 9393 compliant test requisites
- Option of disassembling downstream pipes with the valve in the closed position
- Floating **full bore ball** with high surface finish
- **Integrated bracket** for valve anchoring
- Possibility of installing a gear box or pneumatic and/or electric actuators by applying an ISO standard bore PP-GR flange
- **Stainless steel co-moulded stem**, with square section as per ISO 5211.

Technical specifications - VKD	
Construction	2-way True Union ball valve with locked carrier and union nuts
Size range	DN 65 ÷ 100
Nominal pressure	PVC-U: PN 16 with water at 20° C PVC-C: PN16 with water at 20° C PP-H: PN10 with water at 20° C PVDF: PN16 with water at 20° C
Temperature range	PVC-U: 0 °C ÷ 60 °C PVC-C: 0° C ÷ 100° C PP-H: 0° C ÷ 100° C PVDF: -40° C ÷ 140° C
PVC-U coupling standards	Solvent welding: EN ISO 1452, EN ISO 15493, BS 4346-1, DIN 8063, NF T54-028, ASTM D 2467, JIS K 6743. Can be coupled to pipes according to EN ISO 1452, EN ISO 15493, DIN 8062, NF T54-016, ASTM D 1785, JIS K 6741. Thread: ISO 228-1, DIN 2999, ASTM D 2467, JIS B 0203. Flanging system: ISO 7005-1, EN ISO 1452, EN ISO 15493 EN 588-1, DIN 2501, ANSI B.16.5 cl.150, JIS B 2220.
PVC-C coupling standards	Solvent welding: EN ISO 15493, ASTM F 439. Can be coupled to pipes according to EN ISO 15493, ASTM F 441 Thread: ISO 228-1, DIN 2999, ASTM F 437. Flanging system: ISO 7005-1, EN ISO 15493 EN 558-1, DIN 2501, ANSI B.16.5 cl.150, JIS B 2220.
PP-H coupling standards	Welding: EN ISO 15494. Can be coupled to pipes according to EN ISO 15494 Thread: ISO 228-1, DIN 2999 Flanging system: ISO 7005-1, EN ISO 1092-1, EN ISO 15494 EN 558-1, DIN 2501, ANSI B.16.5 cl.150
PVDF coupling standards	Welding: EN ISO 10931 Can be coupled to pipes according to EN ISO 10931 Flanging system: ISO 7005-1, EN ISO 10931, EN 558-1, DIN 2501, ANSI B.16.5 cl. 150
Reference standards	PVC-U construction criteria: EN ISO 16135, EN ISO 1452, EN ISO 15493 PVC-C construction criteria: EN ISO 16135, EN ISO 15493 PP-H construction criteria: EN ISO 16135, EN ISO 15494 PVDF construction criteria: EN ISO 16135, EN ISO 10931 Test methods and requirements: ISO 9393 PVC-U/PVC-C installation criteria: DVS 2204, DVS 2221, UNI 11242 PP-H installation criteria: DVS 2202-1, DVS 2207-11, DVS 2208-1, UNI 11318 PVDF installation criteria: DVS 2202-1, DVS 2207-15, DVS 2208-1 Actuator couplings: ISO 5211
Valve material	PVC-U / PVC-C / PP-H / PVDF
Seal material	EPDM, FKM (standard size O-Rings); PTFE (ball seats)
Control options	Electric actuator; pneumatic actuator

In addition to the manually actuated version, VKD is also available in VKD/CE electrically actuated and VKD/CP pneumatically actuated configurations. Actuators are firmly connected to the valve by the special FIP Power Quick modules fully made of PP-GR technopolymer. VKD/CE and VKD/CP are constructed with actuators meeting current regulations and selected by FIP according to their quality and reliability requirements. The efficiency of these valves, tested according to the company's quality standards, is guaranteed by the expertise and know-how that FIP dedicates to manufacturing its products.

Technical specifications - Electric actuator	
Reference standards	Construction criteria: Electromagnetic compatibility EMC 2004/108/CE. Low voltage directive 2006/95/CE. Machinery directive 2006/42/CE. R.O.H.S. directive 2011/65/CE Coupling for valves: ISO 5211; DIN 3337
Actuator material	Plastic parts: PA6,6 FV 30% and Nylon. Metallic parts: 304L stainless steel or steel + tin-plating
Supply Voltage	12V DC* - 24V AC/DC - 90-240V DC - 400V three-phase* *voltages available upon request
Temperature range	From -10 °C to +55 °C
Standard equipment	<ul style="list-style-type: none"> • Manual safety override • Visual position indicator • Two auxiliary limit switches (5A) adjustable FC1, FC2 • Torque limiter (12V DC) • Anti-condensation heating element (12V DC)
Accessories	<ul style="list-style-type: none"> • Positioner board 4-20 mA or 0-10V DC • Fail Safe unit • Anti-condensation heating element • Feedback potentiometer 100 - 1000 - 5000 - 10000 Ohm • 4-20 mA position transmitter • Kit with additional pair of auxiliary limit switches
Special versions upon request	<ul style="list-style-type: none"> • CEI34 50% service • Protection class IP68 or ATEX II 2 GD EEx d IIB T6 • Different operating times
Electrical connection	<ul style="list-style-type: none"> • Power supply: DIN 43650 connector 3P + GND • Limit switch: Cable gland ISO M20

Technical specifications - Pneumatic actuator	
Reference standards	Construction criteria: Machinery directive 2006/42/CE R.O.H.S. directive 2011/65/CE EN 15714-3 Coupling for valves: ISO 5211, DIN 3337 Compressed air connections: NAMUR VDI\VDE-3845 Top connections for accessories: NAMUR VDI\VDE-3845
Actuator material	Body: hard coat anodised extruded aluminium. IP67 Bonnet: polyester powder painted aluminium alloy Pinion: nickel-plated carbon steel Other materials available upon request
Control air pressure	From 5 to 8 bar. Pmax= 10 bar Reduced control pressure executions available upon request
Power supply	Dry or lubricated filtered compressed air. If using other fluids, contact the FIP service centre
Temperature range	From -20 °C to +80 °C
Accessories	<ul style="list-style-type: none"> • Optical position indicator • LSQT electromechanical and PNP inductive limit switch boxes (Namur upon request) • Electric-pneumatic positioner 4-20 mA • 3-5/2 way pilot solenoid valves
Available options	Body and bonnet with PTFE, AISI 316 or AISI 316 coating with mirror polishing. 304 or 316 stainless steel pinion.



1 Electric actuator constructed according to FIP specifications with plastic shell and standard emergency override. Available with voltages from 12 to 240V.

2 Rack & pinion type pneumatic actuator constructed according to FIP specifications: fully protected against weather corrosion

available in double-acting (DA) or simple-acting normally closed (NC) or normally open (NO) versions.

3 **DUAL BLOCK®** patented lock system that ensures union nut tightening hold even in severe conditions such as vibrations or heat dilation.

4 **Double stem** with double O-Rings for ball centring and operating torque reduction. The upper stem is also equipped with a co-moulded steel insert that guarantees high durability and perfect torque transmission between the actuator and ball.

TECHNICAL DATA

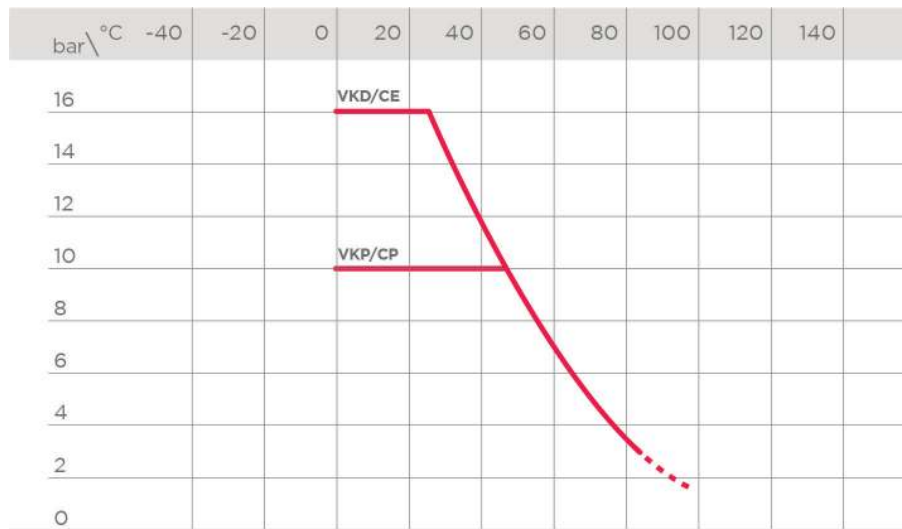
PRESSURE VARIATION ACCORDING TO TEMPERATURE

PVC-U BODY

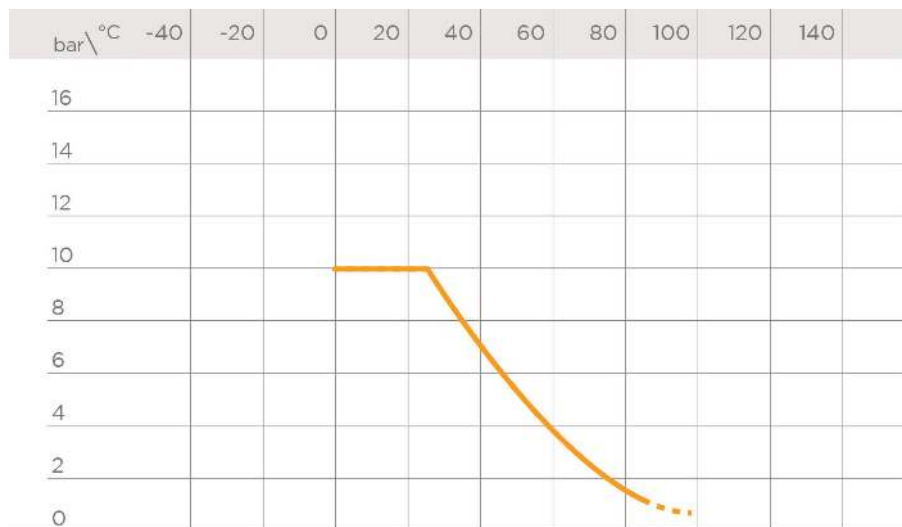
For water and non-hazardous fluids with regard to which the material is classified as CHEMICALLY RESISTANT. In other cases, a reduction of the nominal pressure PN is required (25 years with safety factor).



PVC-C BODY



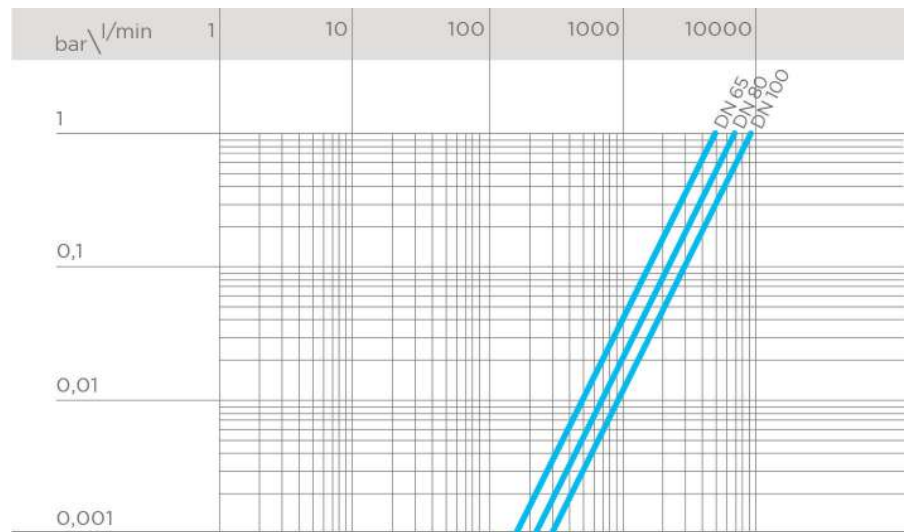
PP-H BODY



PVDF BODY



PRESSURE DROP GRAPH



K_v100 FLOW COEFFICIENT

The K_v100 flow coefficient is the Q flow of litres per minute of water at a temperature of 20°C that will generate Δp= 1 bar pressure drop at a certain valve position.

The K_v100 values shown in the table are calculated with the valve completely open.

DN	65	80	100
K _v 100 l/min	5250	7100	9500

ELECTRIC ACTUATOR DATA

DN 65÷80 FUNCTIONAL CHARACTERISTICS

Characteristics	DC	AC/DC	AC
Power supply	*12V	24V	90÷240V
Power	45W	45W	45W
Max operating time	12 s	13 s	15 s
IEC34 service	50%	30%	30%
Protection class	IP66	IP65	IP65
Frequency	-	50/60 Hz	50/60 Hz

*Upon request

DN 100

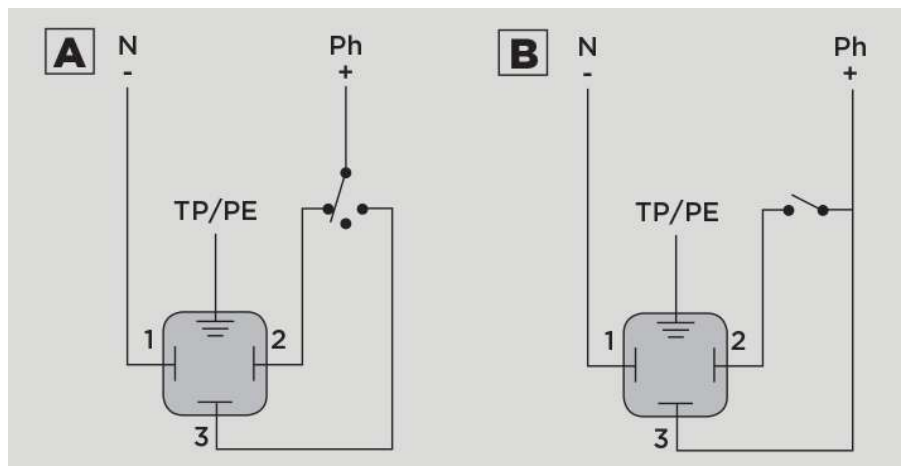
Characteristics	DC	AC/DC	AC
Power supply	*12V	24V	90÷240V
Power	45W	45W	45W
Max operating time	22 s	22 s	25 s
IEC34 service	50%	30%	30%
Protection class	IP66	IP65	IP65
Frequency	-	50/60 Hz	50/60 Hz

*Upon request

POWER CONNECTION DIAGRAM

- 1 Shared
- 2 Open
- 3 Closed

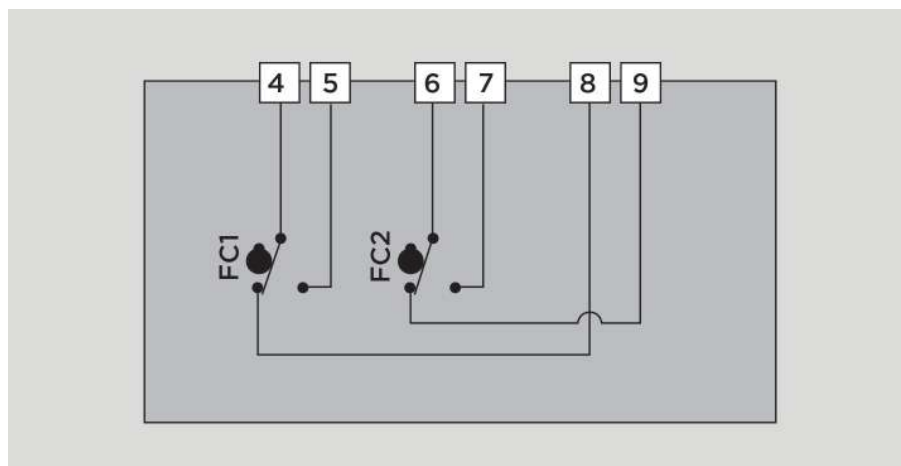
- A** 3-point connection
- B** ON/OFF connection



AUXILIARY LIMIT SWITCH CONNECTION DIAGRAM

- FC1** Open auxiliary limit switch
- FC2** Close auxiliary limit switch

- 4 Shared FC1
- 5 Open FC1
- 6 Shared FC2
- 7 Open FC2
- 8 Close FC1
- 9 Close FC2



PNEUMATIC ACTUATOR DATA

FUNCTIONAL CHARACTERISTICS

Function type	double-acting	Normally closed (NC)	Normally Open (NO)
Valve opening	air	air	spring
Valve closing	air	spring	air

ACTUATOR CAPACITY

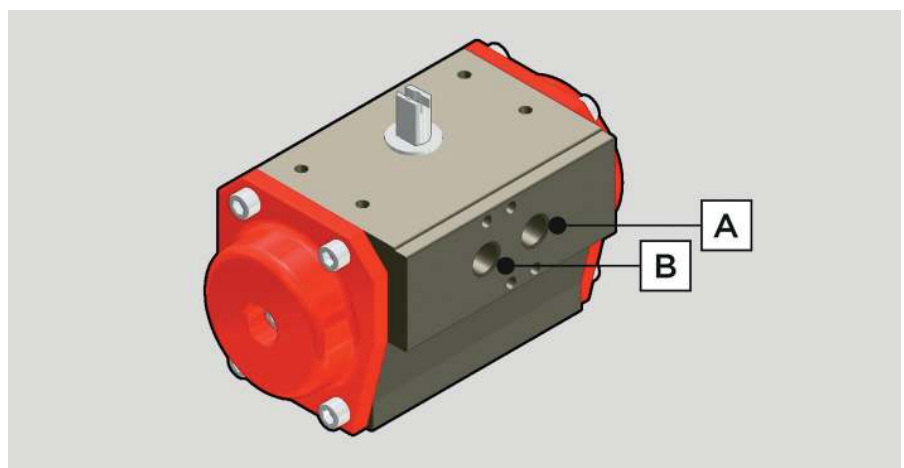
L: litre, equivalent to 10^{-3} m^3

Air consumption in normal litres (or normal cubic metres) per operating cycle can be calculated by correcting according to operating conditions such as control air pressure.

DN	65	80	100
DA	0.45 L	0.61 L	0.98 L
SA (NC-NO)	0.244 L	0.392 L	0.72 L

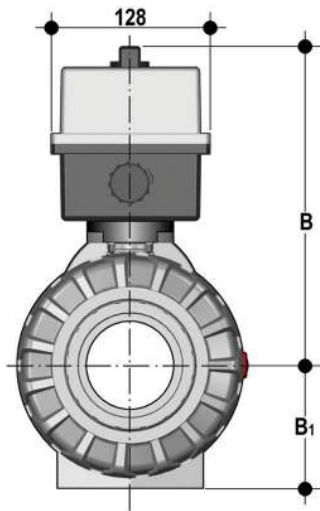
COMPRESSED AIR CONNECTIONS

Function type	Double-acting (DA)	Normally closed (NC)	Normally Open (NO)
Valve opening	Inlet A	Inlet A	-
Valve closing	Inlet B	-	Inlet A



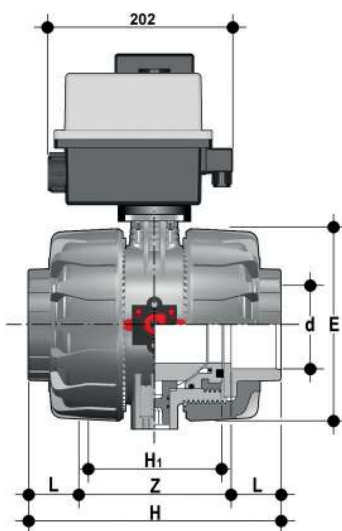
DIMENSIONS

VKD/CE DN 65÷100 PVC-U



Dimensions common to all versions

DN	B	B ₁
65	295	87
80	308	105
100	325	129



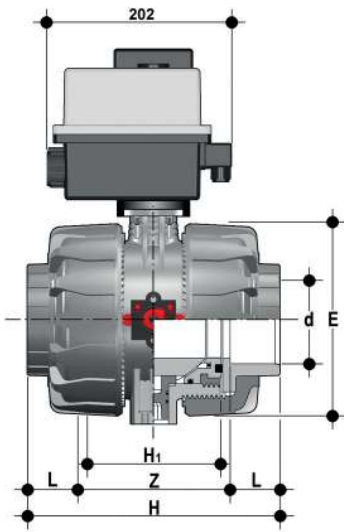
VKDIV/CE 90-240 V AC

DUAL BLOCK® ball valve with female ends for solvent welding, metric series with multi-volt electric actuator 90-240 V AC 50-60 Hz

d	DN	PN	E	H	H ₁	L	Z	g	EPDM Code	FKM Code
75	65	16	164	235	133	44	147	6800	VKDIVEM075E	VKDIVEM075F
90	80	16	203	270	149	51	168	9620	VKDIVEM090E	VKDIVEM090F
110	100	16	238	308	167	61	186	13460	VKDIVEM110E	VKDIVEM110F

DIMENSIONS

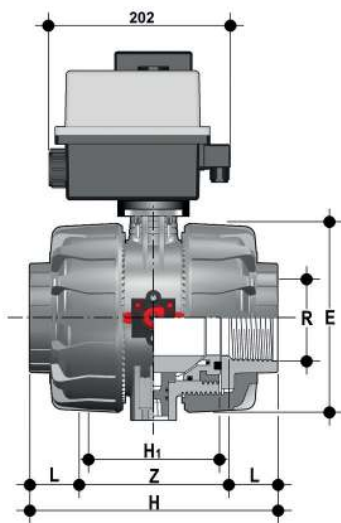
VKD/CE DN 65÷100 PVC-U



VKDIV/CE 24 V AC/DC

DUAL BLOCK® ball valve with female ends for solvent welding, metric series with electric actuator 24 V AC/DC

d	DN	PN	E	H	H ₁	L	Z	g	EPDM Code	FKM Code
75	65	16	164	235	133	44	147	6800	VKDIVEL075E	VKDIVEL075F
90	80	16	203	270	149	51	168	9620	VKDIVEL090E	VKDIVEL090F
110	100	16	238	308	167	61	186	13460	VKDIVEL110E	VKDIVEL110F



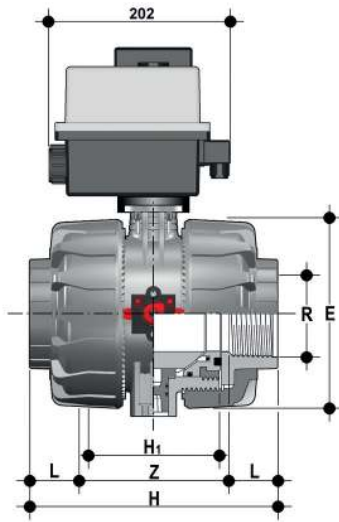
VKDFV/CE 90-240 V AC

DUAL BLOCK® ball valve with female ends, gas cylinder thread with multi-volt electric actuator 90-240 V AC 50-60 Hz

R	DN	PN	E	H	H ₁	L	Z	g	EPDM Code	FKM Code
2"1/2	65	16	164	235	133	30.2	174.6	6800	VKDFVEM212E	VKDFVEM212F
3"	80	16	203	270	149	33.3	203.4	9620	VKDFVEM300E	VKDFVEM300F
4"	100	16	238	308	167	39.3	229.4	13460	VKDFVEM400E	VKDFVEM400F

DIMENSIONS

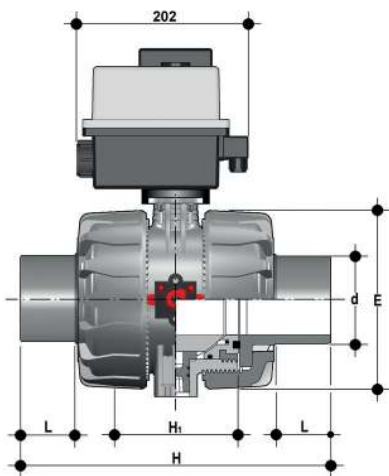
VKD/CE DN 65÷100 PVC-U



VKDFV/CE 24 V AC/DC

DUAL BLOCK® ball valve with female ends, gas cylinder thread with electric actuator 24 V AC/DC

R	DN	PN	E	H	H ₁	L	Z	g	EPDM Code	FKM Code
2"1/2	65	16	164	235	133	30.2	174.6	6800	VKDFVEL212E	VKDFVEL212F
3"	80	16	203	270	149	33.3	203.4	9620	VKDFVEL300E	VKDFVEL300F
4"	100	16	238	308	167	39.3	229.4	13460	VKDFVEL400E	VKDFVEL400F



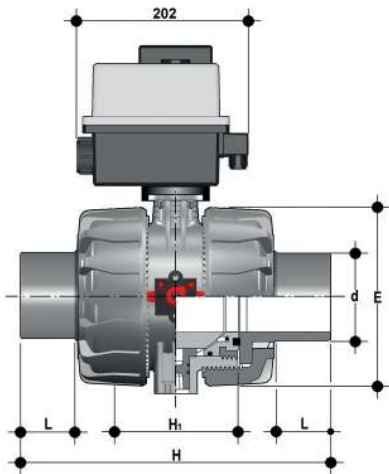
VKDDV/CE 90-240 V AC

DUAL BLOCK® ball valve with male ends for solvent welding, metric series with multi-volt electric actuator 90-240 V AC 50-60 Hz

d	DN	PN	E	H	H ₁	L	Z	g	EPDM Code	FKM Code
75	65	16	164	284	133	44		6800	VKDDVEM075E	VKDDVEM075F
90	80	16	203	300	149	51		9620	VKDDVEM090E	VKDDVEM090F
110	100	16	238	340	167	61		13460	VKDDVEM110E	VKDDVEM110F

DIMENSIONS

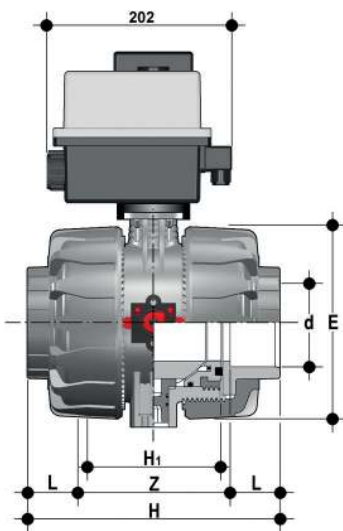
VKD/CE DN 65÷100 PVC-U



VKDDV/CE 24 V AC/DC

DUAL BLOCK® ball valve with male ends for solvent welding, metric series with electric actuator 24 V AC/DC

d	DN	PN	E	H	H ₁	L	g	EPDM Code	FKM Code
75	65	16	164	284	133	44	6800	VKDDVEL075E	VKDDVEL075F
90	80	16	203	300	149	51	9620	VKDDVEL090E	VKDDVEL090F
110	100	16	238	340	167	61	13460	VKDDVEL110E	VKDDVEL110F



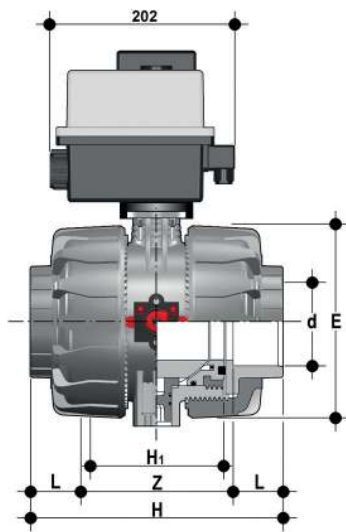
VKDLV/CE 90-240 V AC

Two way DUAL BLOCK® ball valve with female ends for solvent welding, BS series with multi-volt electric actuator 90-240 V AC 50-60 Hz

d	DN	PN	E	H	H ₁	L	Z	g	EPDM Code	FKM Code
2"1/2	65	16	164	235	133	44	147	6800	VKDLVEM212E	VKDLVEM212F
3"	80	16	203	270	149	51	168	9620	VKDLVEM300E	VKDLVEM300F
4"	100	16	238	308	167	63	186	13460	VKDLVEM400E	VKDLVEM400F

DIMENSIONS

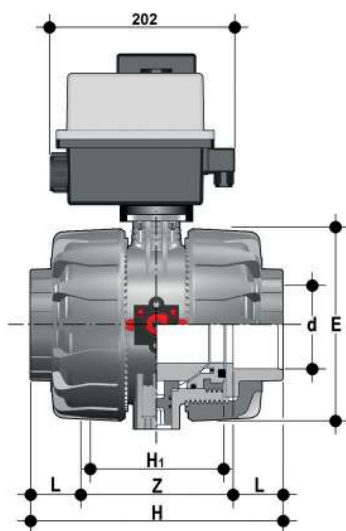
VKD/CE DN 65÷100 PVC-U



VKDLV/CE 24 V AC/DC

Two way DUAL BLOCK® ball valve with female ends for solvent welding, BS series with electric actuator 24 V AC/DC

d	DN	PN	E	H	H ₁	L	Z	g	EPDM Code	FKM Code
2"1/2	65	16	164	235	133	44	147	6800	VKDLVEL212E	VKDLVEL212F
3"	80	16	203	270	149	51	168	9620	VKDLVEL300E	VKDLVEL300F
4"	100	16	238	308	167	63	186	13460	VKDLVEL400E	VKDLVEL400F



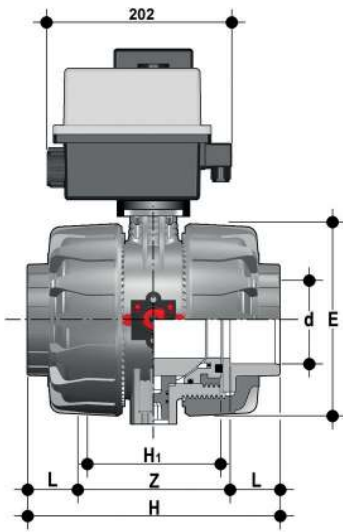
VKDAV/CE 90-240 V AC

Two way DUAL BLOCK® ball valve with female ends for solvent welding, ASTM series with multi-volt electric actuator 90-240 V AC 50-60 Hz

d	DN	PN	E	H	H ₁	L	Z	g	EPDM Code	FKM Code
2"1/2	65	16	164	235	133	44.5	146	6800	VKDAVEM212E	VKDAVEM212F
3"	80	16	203	270	149	48	174	9620	VKDAVEM300E	VKDAVEM300F
4"	100	16	238	308	167	57.5	193	13460	VKDAVEM400E	VKDAVEM400F

DIMENSIONS

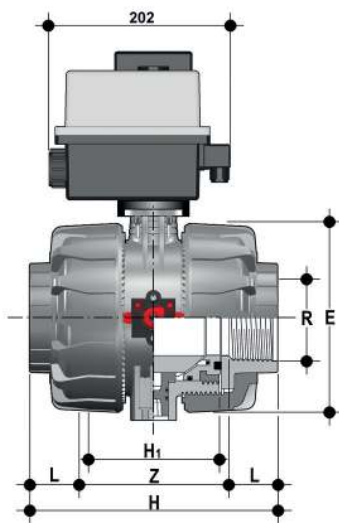
VKD/CE DN 65÷100 PVC-U



VKDAV/CE 24 V AC/DC

Two way DUAL BLOCK® ball valve with female ends for solvent welding, ASTM series with electric actuator 24V AC/DC

d	DN	PN	E	H	H ₁	L	Z	g	EPDM Code	FKM Code
2"1/2	65	16	164	235	133	44.5	146	6800	VKDAVEL212E	VKDAVEL212F
3"	80	16	203	270	149	48	174	9620	VKDAVEL300E	VKDAVEL300F
4"	100	16	238	308	167	57.5	193	13460	VKDAVEL400E	VKDAVEL400F



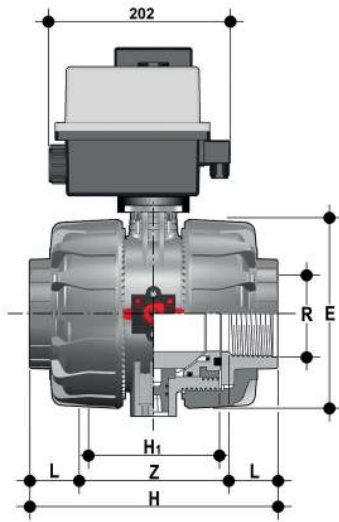
VKDNV/CE 90-240 V AC

Two way DUAL BLOCK® ball valve with NPT thread female ends with multi-volt electric actuator 90-240 V AC 50-60 Hz

R	DN	PN	E	H	H ₁	L	Z	g	EPDM Code	FKM Code
2"1/2	65	16	164	235	133	30.2	174.6	6800	VKDNVEM212E	VKDNVEM212F
3"	80	16	203	270	149	33.3	203.4	9620	VKDNVEM300E	VKDNVEM300F
4"	100	16	238	308	167	39.3	229.4	13460	VKDNVEM400E	VKDNVEM400F

DIMENSIONS

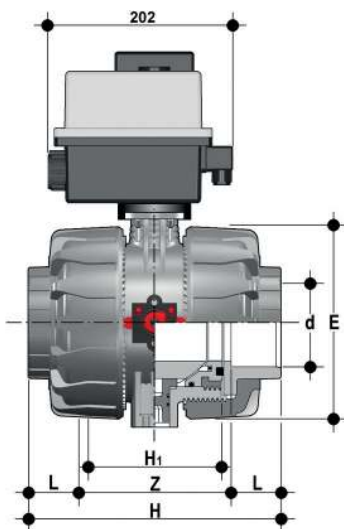
VKD/CE DN 65÷100 PVC-U



VKDNV/CE 24 V AC/DC

Two way DUAL BLOCK® ball valve with NPT thread female ends with electric actuator 24V AC/DC

R	DN	PN	E	H	H ₁	L	Z	g	EPDM Code	FKM Code
2"1/2	65	16	164	235	133	30.2	174.6	6800	VKDNVEL212E	VKDNVEL212F
3"	80	16	203	270	149	33.3	203.4	9620	VKDNVEL300E	VKDNVEL300F
4"	100	16	238	308	167	39.3	229.4	13460	VKDNVEL400E	VKDNVEL400F



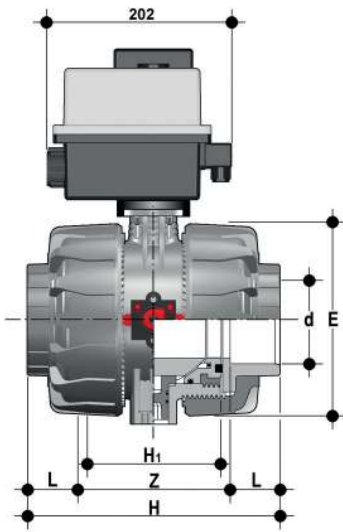
VKDJV/CE 90-240 V AC

Two way DUAL BLOCK® ball valve with female ends for solvent welding, JIS series with multi-volt electric actuator 90-240 V AC 50-60 Hz

d	DN	PN	E	H	H ₁	L	Z	g	EPDM Code	FKM Code
2"1/2	65	16	164	267	133	61	145	6800	VKDJVEM212E	VKDJVEM212F
3"	80	16	203	294	149	65	165	9620	VKDJVEM300E	VKDJVEM300F
4"	100	16	238	370	167	84	202	13460	VKDJVEM400E	VKDJVEM400F

DIMENSIONS

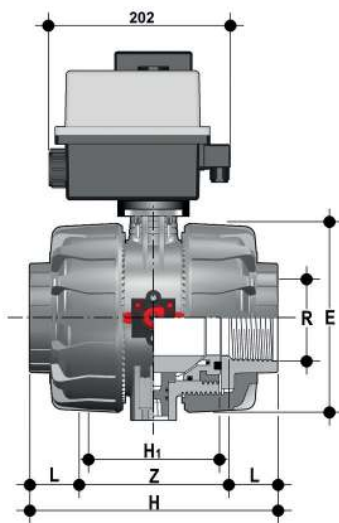
VKD/CE DN 65÷100 PVC-U



VKDJV/CE 24 V AC/DC

Two way DUAL BLOCK® ball valve with female ends for solvent welding, JIS series with electric actuator 24V AC/DC

d	DN	PN	E	H	H ₁	L	Z	g	EPDM Code	FKM Code
2"1/2	65	16	164	267	133	61	145	6800	VKDJVVEL212E	VKDJVVEL212F
3"	80	16	203	294	149	65	165	9620	VKDJVVEL300E	VKDJVVEL300F
4"	100	16	238	370	167	84	202	13460	VKDJVVEL400E	VKDJVVEL400F



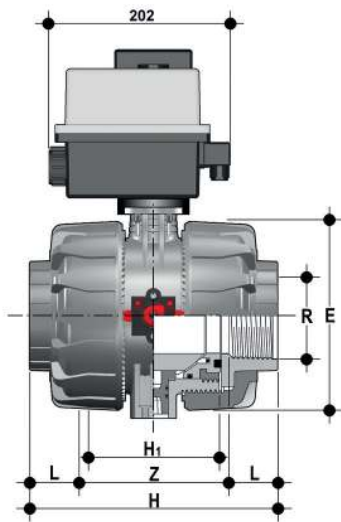
VK DGV/CE 90-240 V AC

Two way DUAL BLOCK® ball valve with JIS thread female ends with multi-volt electric actuator 90-240 V AC 50-60 Hz

R	DN	PN	E	H	H ₁	L	Z	g	EPDM Code	FKM Code
2"1/2	65	16	164	235	133	35	165	6800	VK DGVEM212E	VK DGVEM212F
3"	80	16	203	270	149	40	190	9620	VK DGVEM300E	VK DGVEM300F
4"	100	16	238	308	167	45	218	13460	VK DGVEM400E	VK DGVEM400F

DIMENSIONS

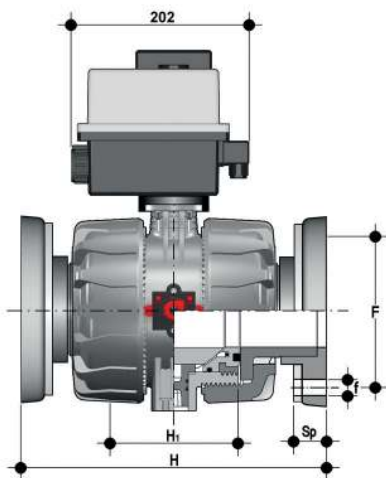
VKD/CE DN 65÷100 PVC-U



VKDG/CE 24 V AC/DC

Two way DUAL BLOCK® ball valve with JIS thread female ends with electric actuator 24V AC/DC

R	DN	PN	E	H	H ₁	L	Z	g	EPDM Code	EPDM Code
2"1/2	65	16	164	235	133	35	165	6800	VKDGVEL212E	VKDGVEL212F
3"	80	16	203	270	149	40	190	9620	VKDGVEL300E	VKDGVEL300F
4"	100	16	238	308	167	45	218	13460	VKDGVEL400E	VKDGVEL400F



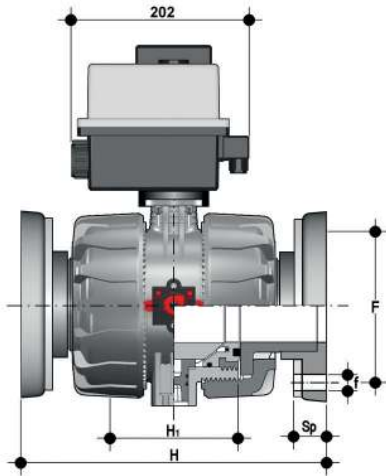
VKDOV/CE 90-240 V AC

DUAL BLOCK® Ball Valve with fixed flanges EN/ISO/DIN PN 10/16, face to face dimensions as per EN 558-1 with multi-volt electric actuator 90-240 V AC 50-60 Hz

d	DN	PN	H	H ₁	F	f	U	Sp	g	EPDM Code	FKM Code
75	65	16	290	133	145	17	4	21	9030	VKDOVEM075E	VKDOVEM075F
90	80	16	310	149	160	17	8	21.5	11750	VKDOVEM090E	VKDOVEM090F
110	100	16	350	167	180	17	8	21.5	16135	VKDOVEM110E	VKDOVEM110F

DIMENSIONS

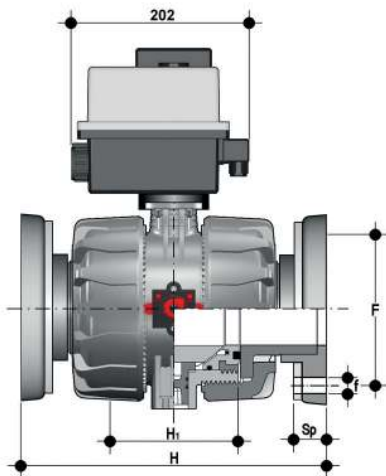
VKD/CE DN 65÷100 PVC-U



VKDOV/CE 24 V AC/DC

DUAL BLOCK® Ball Valve with fixed flanges EN/ISO/DIN PN 10/16, face to face dimensions as per EN 558-1 with electric actuator 24 V AC/DC

d	DN	PN	H	H ₁	F	f	U	Sp	g	EPDM Code	FKM Code
75	65	16	290	133	145	17	4	21	9030	VKDOVEL075E	VKDOVEL075F
90	80	16	310	149	160	17	8	21.5	11750	VKDOVEL090E	VKDOVEL090F
110	100	16	350	167	180	17	8	21.5	16135	VKDOVEL110E	VKDOVEL110F



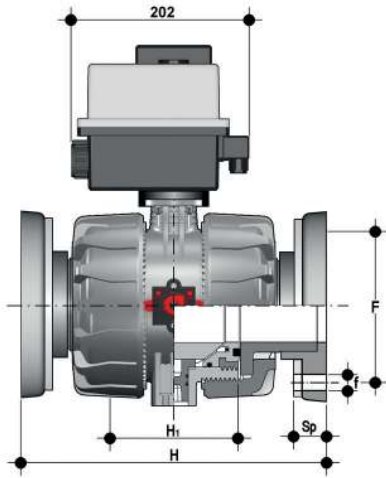
VKDOAV/CE 90-240 V AC

DUAL BLOCK® ball valve with fixed flanges, drilled ANSI B16.5 cl.150#FF with multi-volt electric actuator 90-240 V AC 50-60 Hz

d	DN	PN	H	H ₁	F	f	U	Sp	g	EPDM Code	FKM Code
2"1/2	65	16	290	133	139.7	18	4	21	9030	VKDOVEM075E	VKDOVEM075F
3"	80	16	310	149	152.4	18	8	21.5	11750	VKDOVEM090E	VKDOVEM090F
4"	100	16	350	167	190.5	18	8	21.5	16135	VKDOVEM110E	VKDOVEM110F

DIMENSIONS

VKD/CE DN 65÷100 PVC-U



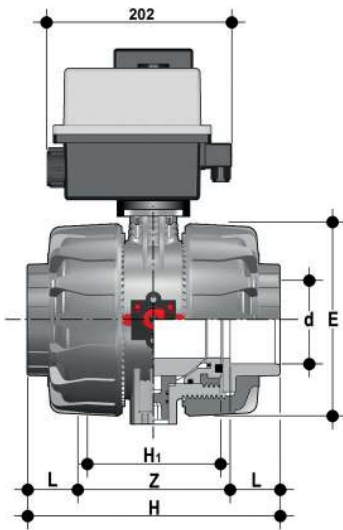
VKDOAV/CE 24 V AC/DC

DUAL BLOCK® ball valve with fixed flanges drilled ANSI B16.5 cl.150#FF with electric actuator 24 V AC/DC

d	DN	PN	H	H ₁	F	f	U	Sp	g	EPDM Code	FKM Code
2"1/2	65	16	290	133	139.7	18	4	21	9030	VKDOVEL075E	VKDOVEL075F
3"	80	16	310	149	152.4	18	8	21.5	11750	VKDOVEL090E	VKDOVEL090F
4"	100	16	350	167	190.5	18	8	21.5	16135	VKDOVEL110E	VKDOVEL110F

DIMENSIONS

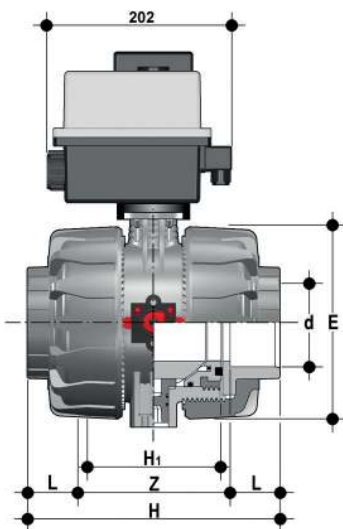
VKD/CE DN 65÷100 PVC-C



VKDIC/CE 90-240 V AC

DUAL BLOCK® ball valve with female ends for solvent welding, metric series with multi-volt electric actuator 90-240 V AC 50-60 Hz

d	DN	PN	E	H	H ₁	L	Z	g	EPDM Code	FKM Code
75	65	16	164	235	133	44	147	7170	VKDICEM075E	VKDICEM075F
90	80	16	203	270	149	51	168	10258	VKDICEM090E	VKDICEM090F
110	100	16	238	308	167	61	186	14457	VKDICEM110E	VKDICEM110F



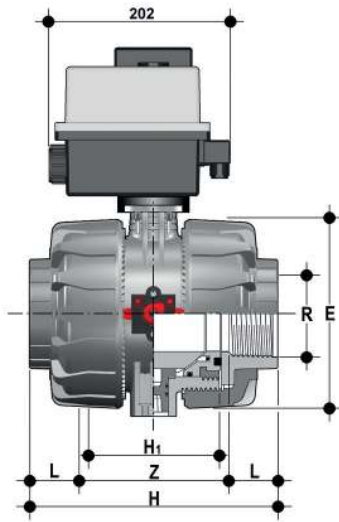
VKDIC/CE 24 V AC/DC

DUAL BLOCK® ball valve with female ends for solvent welding, metric series with electric actuator 24 V AC/DC

d	DN	PN	E	H	H ₁	L	Z	g	EPDM Code	FKM Code
75	65	16	164	235	133	44	147	7170	VKDICEL075E	VKDICEL075F
90	80	16	203	270	149	51	168	10258	VKDICEL090E	VKDICEL090F
110	100	16	238	308	167	61	186	14457	VKDICEL110E	VKDICEL110F

DIMENSIONS

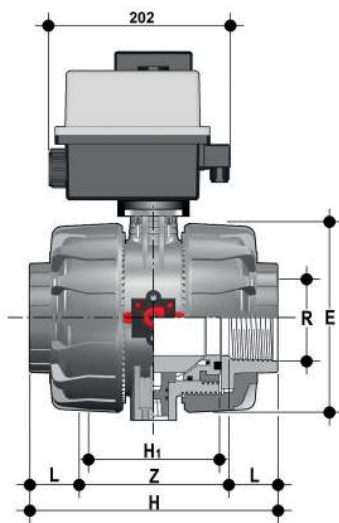
VKD/CE DN 65÷100 PVC-C



VKDNC/CE 90-240 V AC

Two way DUAL BLOCK® ball valve with NPT thread female ends with multi-volt electric actuator 90-240 V AC 50-60 Hz

R	DN	PN	E	H	H ₁	L	Z	g	EPDM Code	FKM Code
2"1/2	65	16	164	235	133	30.2	174.6	7170	VKDNCCEM212E	VKDNCCEM212F
3"	80	16	203	270	149	33.3	203.4	10258	VKDNCCEM300E	VKDNCCEM300F
4"	100	16	238	308	167	39.3	229.4	14457	VKDNCCEM400E	VKDNCCEM400F



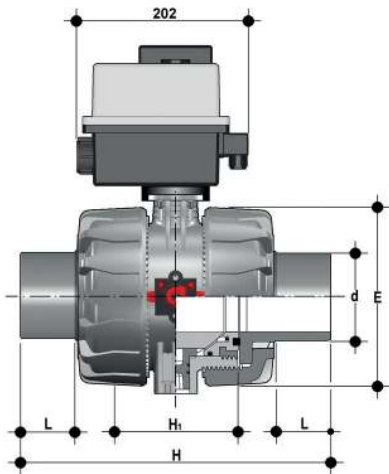
VKDNC/CE 24 V AC/DC

Two way DUAL BLOCK® ball valve with NPT thread female ends with electric actuator 24 V AC/ DC

R	DN	PN	E	H	H ₁	L	Z	g	EPDM Code	FKM Code
2"1/2	65	16	164	235	133	30.2	174.6	7170	VKDNCCEL212E	VKDNCCEL212F
3"	80	16	203	270	149	33.3	203.4	10258	VKDNCCEL300E	VKDNCCEL300F
4"	100	16	238	308	167	39.3	229.4	14457	VKDNCCEL400E	VKDNCCEL400F

DIMENSIONS

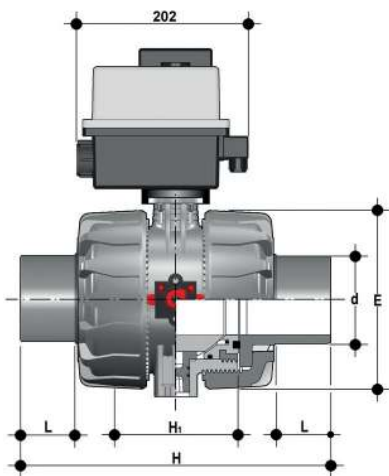
VKD/CE DN 65÷100 PVC-C



VKDDC/CE 90-240 V AC

DUAL BLOCK® ball valve with male ends for solvent welding, metric series with multi-volt electric actuator 90-240 V AC 50-60 Hz

d	DN	PN	E	H	H ₁	L	g	EPDM Code	FKM Code
75	65	16	164	284	133	44	7170	VKDDCEM075E	VKDDCEM075F
90	80	16	203	300	149	51	10258	VKDDCEM090E	VKDDCEM090F
110	100	16	238	340	167	61	14457	VKDDCEM110E	VKDDCEM110F



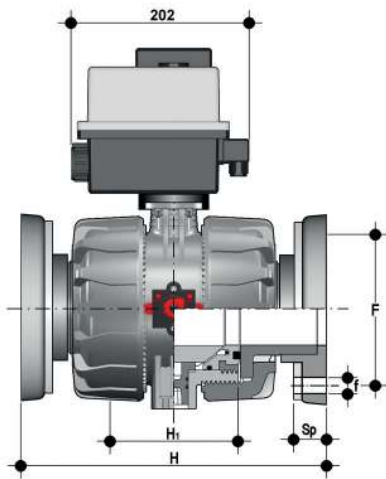
VKDDC/CE 24 V AC/DC

DUAL BLOCK® ball valve with male ends for solvent welding, metric series with electric actuator 24 V AC/DC

d	DN	PN	E	H	H ₁	L	g	EPDM Code	FKM Code
75	65	16	164	284	133	44	7170	VKDDCEL075E	VKDDCEL075F
90	80	16	203	300	149	51	10258	VKDDCEL090E	VKDDCEL090F
110	100	16	238	340	167	61	14457	VKDDCEL110E	VKDDCEL110F

DIMENSIONS

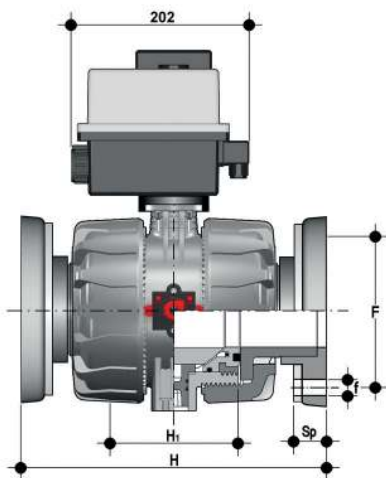
VKD/CE DN 65÷100 PVC-C



VKDOC/CE 90-240 V AC

DUAL BLOCK® Ball Valve with fixed flanges, drilled EN/ISO/DIN PN 10/16, face to face dimensions as per EN 558-1 with multi-volt electric actuator 90-240 V AC 50-60 Hz

d	DN	PN	H	H ₁	F	f	U	Sp	g	EPDM Code	FKM Code
75	65	16	290	133	145	17	4	21	9657	VKDOCEM075E	VKDOCEM075F
90	80	16	310	149	160	17	8	21.5	12635	VKDOCEM090E	VKDOCEM090F
110	100	16	350	167	180	17	8	21.5	17446	VKDOCEM110E	VKDOCEM110F



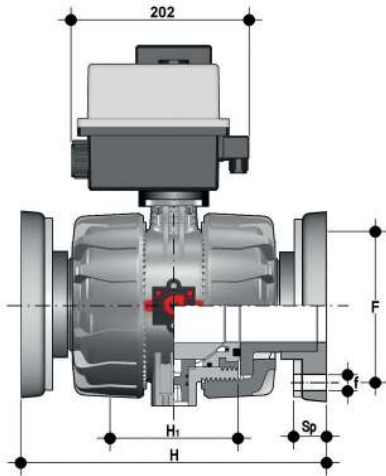
VKDOC/CE 24 V AC/DC

DUAL BLOCK® Ball Valve with fixed flanges, drilled EN/ISO/DIN PN 10/16, face to face dimensions as per EN 558-1 with electric actuator 24 V AC/DC

d	DN	PN	H	H ₁	F	f	U	Sp	g	EPDM Code	FKM Code
75	65	16	290	133	145	17	4	21	9657	VKDOCEL075E	VKDOCEL075F
90	80	16	310	149	160	17	8	21.5	12635	VKDOCEL090E	VKDOCEL090F
110	100	16	350	167	180	17	8	21.5	17446	VKDOCEL110E	VKDOCEL110F

DIMENSIONS

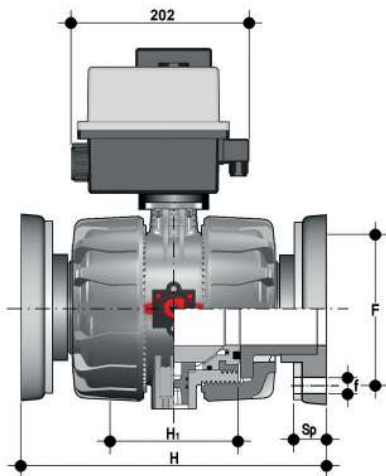
VKD/CE DN 65÷100 PVC-C



VKDOAC/CE 90-240 V AC

DUAL BLOCK® Ball Valve with free flanges EN/ISO/DIN PN 10/16, face to face dimensions as per EN 558-1 with electric actuator 24 V AC/DC

d	DN	PN	H	H ₁	F	f	U	Sp	g	EPDM Code	FKM Code
2 1/2"	65	16	290	133	139.7	18	4	21	9657	VKDOCEM075E	VKDOCEM075F
3"	80	16	310	149	152.4	18	8	21.5	12635	VKDOCEM090E	VKDOCEM090F
4"	100	16	350	167	190.5	18	8	21.5	17446	VKDOCEM110E	VKDOCEM110F



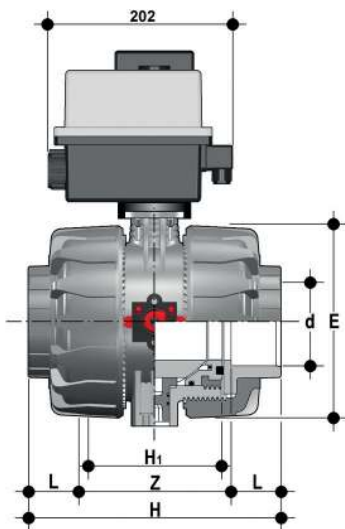
VKDOAC/CE 24 V AC/DC

DUAL BLOCK® ball valve with fixed flanges drilled ANSI B16.5 cl.150#FF with electric actuator 24 V AC/DC

d	DN	PN	H	H ₁	F	f	U	Sp	g	EPDM Code	FKM Code
2 1/2"	65	16	290	133	139.7	18	4	21	9657	VKDOCEL075E	VKDOCEL075F
3"	80	16	310	149	152.4	18	8	21.5	12635	VKDOCEL090E	VKDOCEL090F
4"	100	16	350	167	190.5	18	8	21.5	17446	VKDOCEL110E	VKDOCEL110F

DIMENSIONS

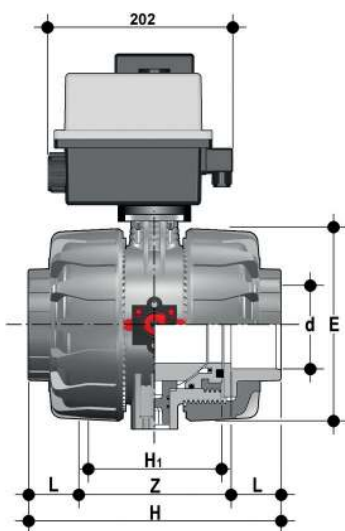
VKD/CE DN 65÷100 PVC-C



VKDAC/CE 90-240 V AC

Two way DUAL BLOCK® ball valve with female ends for solvent welding, ASTM series with multi-volt electric actuator 90-240 V AC 50-60 Hz

d	DN	PN	E	H	H ₁	L	Z	g	EPDM Code	FKM Code
2"1/2	65	16	164	235	133	44.5	146	7170	VKDACEM212E	VKDACEM212F
3"	80	16	203	270	149	48	174	10258	VKDACEM300E	VKDACEM300F
4"	100	16	238	308	167	57.5	193	14457	VKDACEM400E	VKDACEM400F



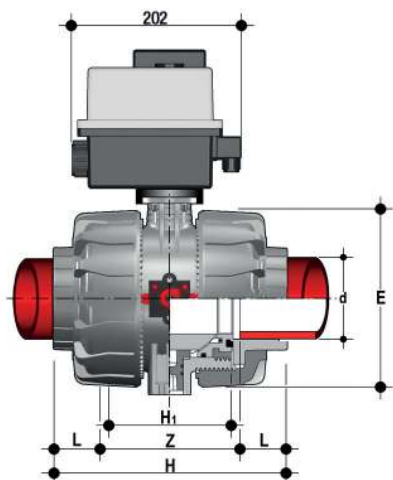
VKDAC/CE 24 V AC/DC

Two way DUAL BLOCK® ball valve with female ends for solvent welding, ASTM series with electric actuator 24 V AC/DC

d	DN	PN	E	H	H ₁	L	Z	g	EPDM Code	FKM Code
2"1/2	65	16	164	235	133	44.5	146	7170	VKDACEL212E	VKDACEL212F
3"	80	16	203	270	149	48	174	10258	VKDACEL300E	VKDACEL300F
4"	100	16	238	308	167	57.5	193	14457	VKDACEL400E	VKDACEL400F

DIMENSIONS

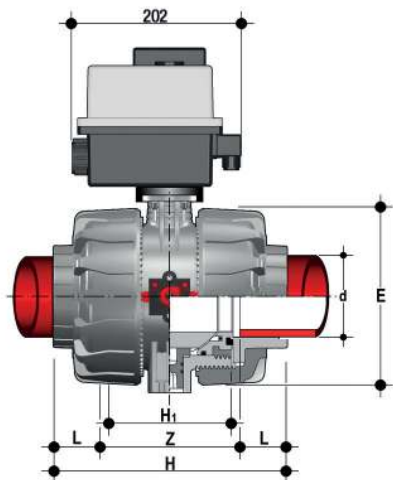
VKD/CE DN 65÷100 PP-H



VKDIM/CE 90-240 V AC

DUAL BLOCK® ball valve with female ends for socket welding, metric series with multi-volt electric actuator 90-240 V AC 50-60 Hz

d	DN	PN	E	H	H ₁	L	Z	g	EPDM Code	FKM Code
75	65	10	164	213	133	33	147	5510	VKDIMEM075E	VKDIMEM075F
90	80	10	203	239	149	36	168	7500	VKDIMEM090E	VKDIMEM090F
110	100	10	238	268	167	41	186	10045	VKDIMEM110E	VKDIMEM110F



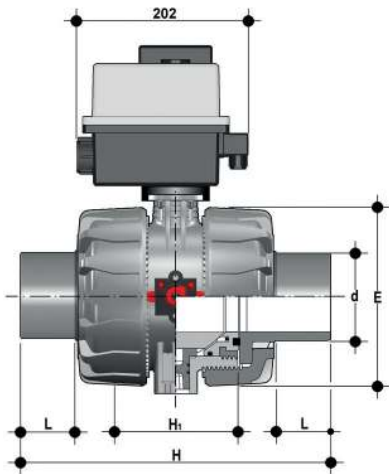
VKDIM/CE 24 V AC/DC

DUAL BLOCK® ball valve with female ends for socket welding, metric series with electric actuator 24 V AC/DC

d	DN	PN	E	H	H ₁	L	Z	g	EPDM Code	FKM Code
75	65	10	164	213	133	33	147	5510	VKDIMEL075E	VKDIMEL075F
90	80	10	203	239	149	36	168	7500	VKDIMEL090E	VKDIMEL090F
110	100	10	238	268	167	41	186	10045	VKDIMEL110E	VKDIMEL110F

DIMENSIONS

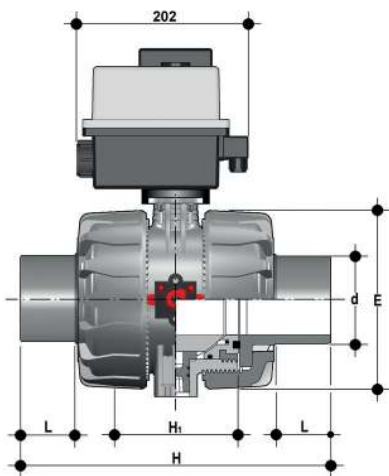
VKD/CE DN 65÷100 PP-H



VKDDM/CE 90-240 V AC

DUAL BLOCK® ball valve with male ends for socket welding, metric series with multi-volt electric actuator 90-240 V AC 50-60 Hz

d	DN	PN	E	H	H ₁	L	g	EPDM Code	FKM Code
75	65	10	164	213	133	33	5510	VKDDMEM075E	VKDDMEM075F
90	80	10	203	239	149	36	7500	VKDDMEM090E	VKDDMEM090F
110	100	10	238	268	167	41	10045	VKDDMEM110E	VKDDMEM110F



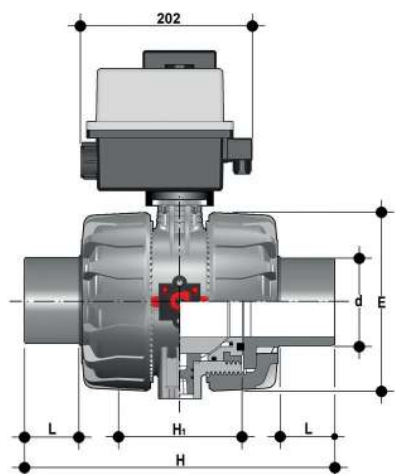
VKDDM/CE 24 V AC/DC

DUAL BLOCK® ball valve with male ends for socket welding, metric series with electric actuator 24 V AC/DC

d	DN	PN	E	H	H ₁	L	g	EPDM Code	FKM Code
75	65	10	164	213	133	33	5510	VKDDMEL075E	VKDDMEL075F
90	80	10	203	239	149	36	7500	VKDDMEL090E	VKDDMEL090F
110	100	10	238	268	167	41	10045	VKDDMEL110E	VKDDMEL110F

DIMENSIONS

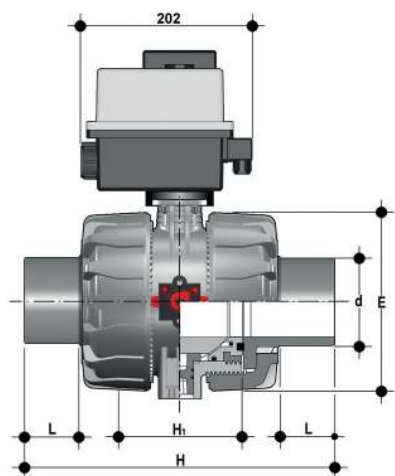
VKD/CE DN 65÷100 PP-H



VKDBM/CE 90-240 V AC

2 way DUAL BLOCK® ball valve with long spigot male ends in PP-H SDR21 for head welding (CVDM) with multi-volt electric actuator 90-240 V AC 50-60 Hz

d	DN	PN	E	H	H ₁	L	g	EPDM Code	FKM Code
75	65	10	162	356	133	71	5510	VKDBMEM075E	VKDBMEM075F
90	80	10	202	390	149	88	7500	VKDBMEM090E	VKDBMEM090F
110	100	10	236	431	167	92	10045	VKDBMEM110E	VKDBMEM110F



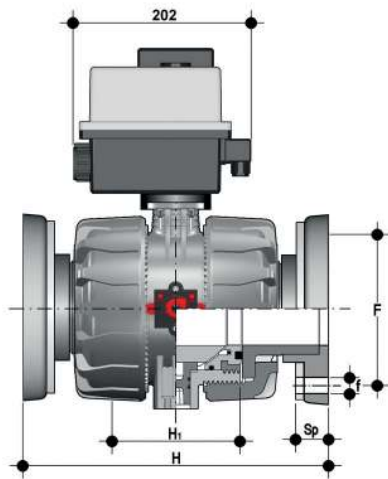
VKDBM/CE 24 V AC/DC

2 way DUAL BLOCK® ball valve with long spigot male ends in PP-H SDR21 for head welding (CVDM) with electric actuator 24 V AC/DC

d	DN	PN	E	H	H ₁	L	g	EPDM Code	FKM Code
75	65	10	162	356	133	71	5510	VKDBMEL075E	VKDBMEL075F
90	80	10	202	390	149	88	7500	VKDBMEL090E	VKDBMEL090F
110	100	10	236	431	167	92	10045	VKDBMEL110E	VKDBMEL110F

DIMENSIONS

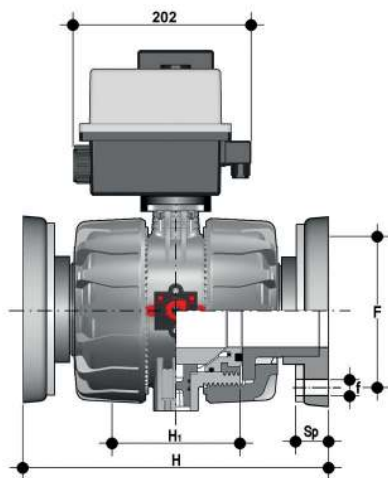
VKD/CE DN 65÷100 PP-H



VKDOM/CE 90-240 V AC

DUAL BLOCK® Ball Valve with fixed flanges, drilled EN/ISO/DIN PN 10/16, face to face dimensions as per EN 558-1 with multi-volt electric actuator 90-240 V AC 50-60 Hz

d	DN	PN	H	H ₁	F	f	U	Sp	g	EPDM Code	FKM Code
75	65	10	290	133	145	17	4	24	6920	VKDOMEM075E	VKDOMEM075F
90	80	10	310	149	160	17	8	24.5	8875	VKDOMEM090E	VKDOMEM090F
110	100	10	350	167	180	17	8	24.5	11410	VKDOMEM110E	VKDOMEM110F



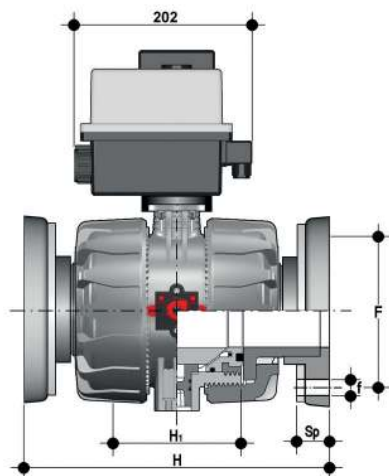
VKDOM/CE 24 V AC/DC

DUAL BLOCK® Ball Valve with fixed flanges, drilled EN/ISO/DIN PN 10/16, face to face dimensions as per EN 558-1 with electric actuator 24 V AC/DC

d	DN	PN	H	H ₁	F	f	U	Sp	g	EPDM Code	FKM Code
75	65	10	290	133	145	17	4	24	6920	VKDOMEL075E	VKDOMEL075F
90	80	10	310	149	160	17	8	24.5	8875	VKDOMEL090E	VKDOMEL090F
110	100	10	350	167	180	17	8	24.5	11410	VKDOMEL110E	VKDOMEL110F

DIMENSIONS

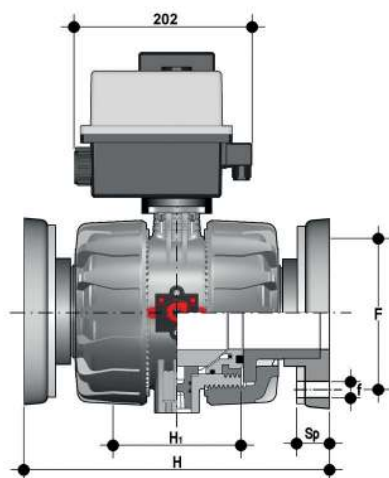
VKD/CE DN 65÷100 PP-H



VKDOAM/CE 90-240 V AC

DUAL BLOCK® ball valve with fixed flanges, drilled ANSI B16.5 cl.150#FF with multi-volt electric actuator 90-240 V AC 50-60 Hz

d	DN	PN	H	H ₁	F	f	U	Sp	g	EPDM Code	FKM Code
2 1/2"	65	10	290	133	139.7	18	4	24	6920	VKDOMEM075E	VKDOMEM075F
3"	80	10	310	149	152.4	18	8	24.5	8875	VKDOMEM090E	VKDOMEM090F
4"	100	10	350	167	190.5	18	8	24.5	11410	VKDOMEM110E	VKDOMEM110F



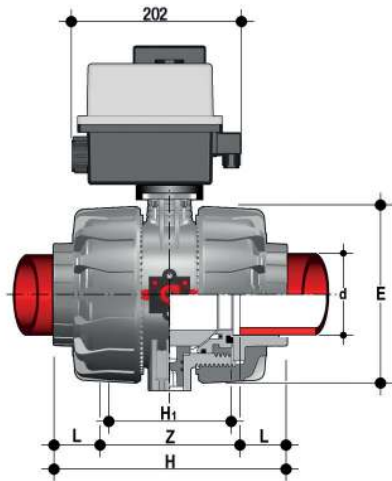
VKDOAM/CE 24 V AC/DC

DUAL BLOCK® ball valve with fixed flanges drilled ANSI B16.5 cl.150#FF with electric actuator 24 V AC/DC

d	DN	PN	H	H ₁	F	f	U	Sp	g	EPDM Code	FKM Code
2 1/2"	65	10	290	133	139.7	18	4	24	6920	VKDOMEL075E	VKDOMEL075F
3"	80	10	310	149	152.4	18	8	24.5	8875	VKDOMEL090E	VKDOMEL090F
4"	100	10	350	167	190.5	18	8	24.5	11410	VKDOMEL110E	VKDOMEL110F

DIMENSIONS

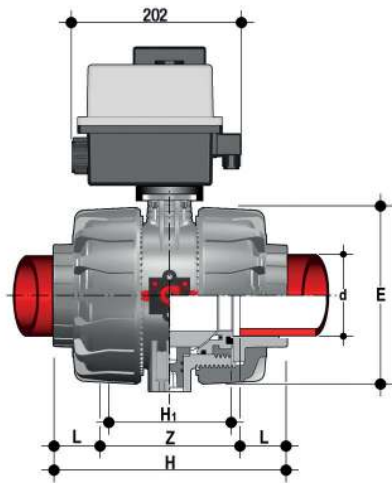
VKD/CE DN 65÷100 PVDF



VKDIF/CE 90-240 V AC

DUAL BLOCK® ball valve with female ends for socket welding, metric series with multi-volt electric actuator 90-240 V AC 50-60 Hz

d	DN	PN	E	H	H ₁	L	Z	g	FKM Code
75	65	16	164	213	133	33	147	8073	VKDIFEM075F
90	80	16	203	239	149	36	168	12010	VKDIFEM090F
110	100	16	238	268	167	41	186	16970	VKDIFEM110F



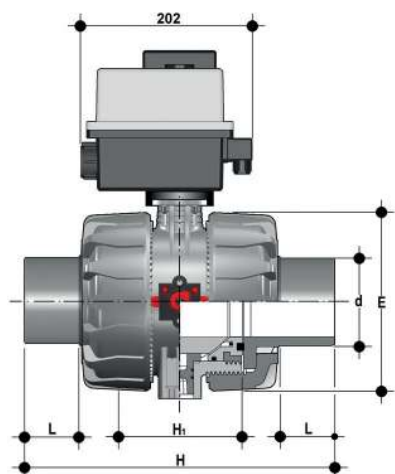
VKDIF/CE 24 V AC/DC

DUAL BLOCK® ball valve with female ends for socket welding, metric series with electric actuator 24 V AC/DC

d	DN	PN	E	H	H ₁	L	Z	g	FKM Code
75	65	16	164	213	133	33	147	8073	VKDIFEL075F
90	80	16	203	239	149	36	168	12010	VKDIFEL090F
110	100	16	238	268	167	41	186	16970	VKDIFEL110F

DIMENSIONS

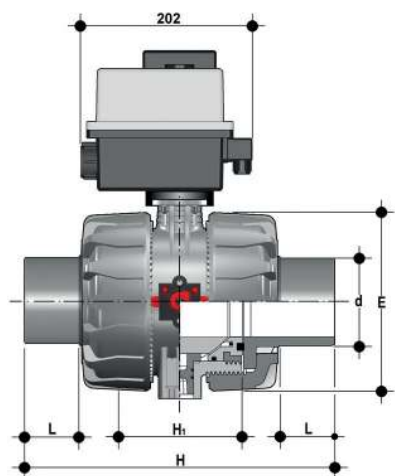
VKD/CE DN 65÷100 PVDF



VKDDF/CE 90-240 V AC

DUAL BLOCK® ball valve with male ends for socket welding, metric series with multi-volt electric actuator 90-240 V AC 50-60 Hz

d	DN	PN	E	H	H ₁	L	g	FKM Code
75	65	16	164	213	133	33	8073	VKDDFEM075F
90	80	16	203	239	149	36	12010	VKDDFEM090F
110	100	16	238	268	167	41	16970	VKDDFEM110F



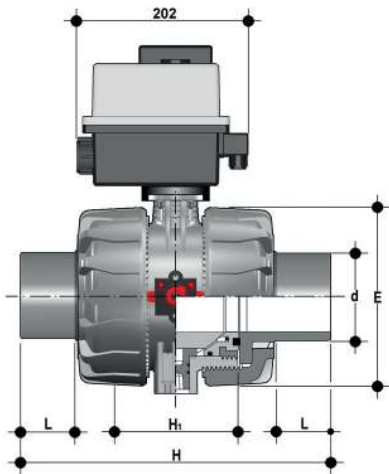
VKDDF/CE 24 V AC/DC

DUAL BLOCK® ball valve with male ends for socket welding, metric series with electric actuator 24 V AC/DC

d	DN	PN	E	H	H ₁	L	g	FKM Code
75	65	16	164	213	133	33	8073	VKDDFEL075F
90	80	16	203	239	149	36	12010	VKDDFEL090F
110	100	16	238	268	167	41	16970	VKDDFEL110F

DIMENSIONS

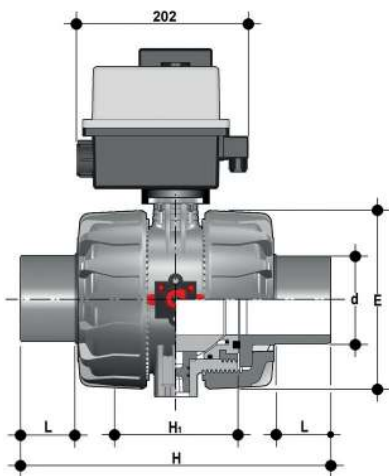
VKD/CE DN 65÷100 PVDF



VKDBF/CE 90-240 V AC

2 way DUAL BLOCK® ball valve with long spigot male ends in PVDF SDR21 for head welding/IR (CVDF) with multi-volt electric actuator 90-240 V AC 50-60 Hz

d	DN	PN	E	H	H ₁	L	g	FKM Code
75	65	10	162	284	133	71	8073	VKDBFEM075F
90	80	10	202	300	149	88	12010	VKDBFEM090F
110	100	10	236	340	167	92	16970	VKDBFEM110F



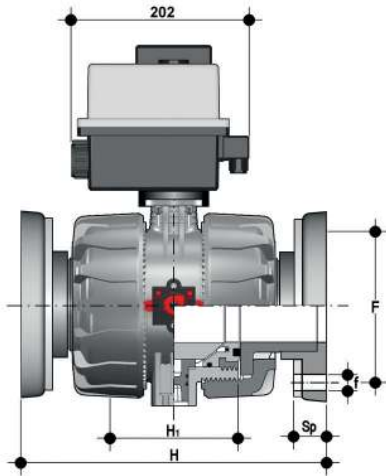
VKDBF/CE 24 V AC/DC

2 way DUAL BLOCK® ball valve with long spigot male ends in PVDF SDR21 for head welding/IR (CVDF) with electric actuator 24 V AC/DC

d	DN	PN	E	H	H ₁	L	g	FKM Code
75	65	10	162	284	133	71	8073	VKDBFEL075F
90	80	10	202	300	149	88	12010	VKDBFEL090F
110	100	10	236	340	167	92	16970	VKDBFEL110F

DIMENSIONS

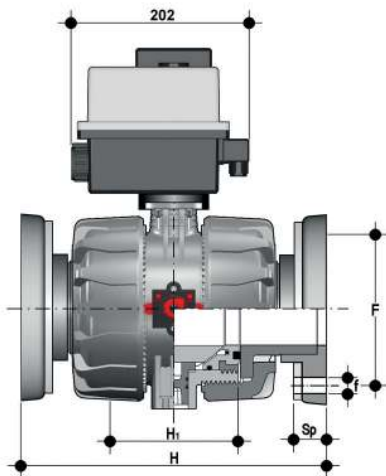
VKD/CE DN 65÷100 PVDF



VKDOF/CE 90-240 V AC

DUAL BLOCK® Ball Valve with fixed flanges, drilled EN/ISO/DIN PN 10/16, face to face dimensions as per EN 558-1 with multi-volt electric actuator 90-240 V AC 50-60 Hz

d	DN	PN	H	H ₁	F	f	U	Sp	g	FKM Code
75	65	16	290	133	145	17	4	21	11008	VKDOFEM075F
90	80	16	310	149	160	17	8	21.5	14542	VKDOFEM090F
110	100	16	350	167	180	17	8	21.5	20269	VKDOFEM110F



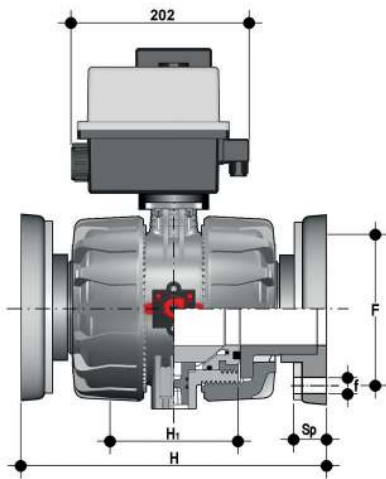
VKDOF/CE 24 V AC/DC

DUAL BLOCK® Ball Valve with fixed flanges, drilled EN/ISO/DIN PN 10/16, face to face dimensions as per EN 558-1 with electric actuator 24 V AC/DC

d	DN	PN	H	H ₁	F	f	U	Sp	g	FKM Code
75	65	16	290	133	145	17	4	21	11008	VKDOFEL075F
90	80	16	310	149	160	17	8	21.5	14542	VKDOFEL090F
110	100	16	350	167	180	17	8	21.5	20269	VKDOFEL110F

DIMENSIONS

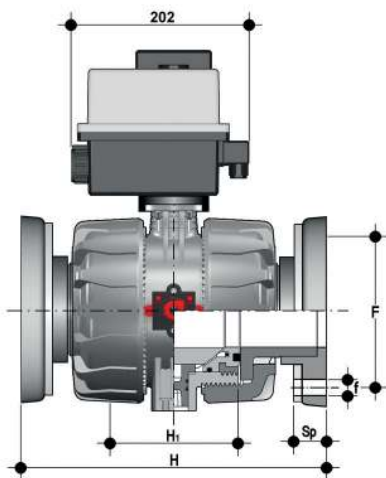
VKD/CE DN 65÷100 PVDF



VKDOAF/CE 90-240 V AC

DUAL BLOCK® ball valve with fixed flanges, drilled ANSI B16.5 cl.150#FF with multi-volt electric actuator 90-240 V AC 50-60 Hz

d	DN	PN	H	H ₁	F	f	U	Sp	g	FKM Code
2 1/2"	65	16	290	133	139.7	18	4	21	11008	VKDOFEM075F
3"	80	16	310	149	152.4	18	8	21.5	14542	VKDOFEM090F
4"	100	16	350	167	190.5	18	8	21.5	20269	VKDOFEM110F



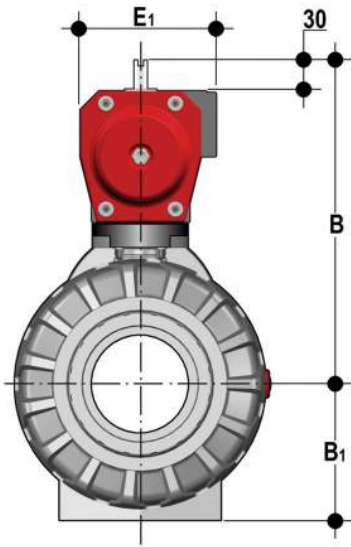
VKDOAF/CE 24 V AC/DC

DUAL BLOCK® ball valve with fixed flanges drilled ANSI B16.5 cl.150#FF with electric actuator 24 V AC/DC

d	DN	PN	H	H ₁	F	f	U	Sp	g	FKM Code
2 1/2"	65	16	290	133	139.7	18	4	21	11008	VKDOFEL075F
3"	80	16	310	149	152.4	18	8	21.5	14542	VKDOFEL090F
4"	100	16	350	167	190.5	18	8	21.5	20269	VKDOFEL110F

DIMENSIONS

VKD/CP DN 65÷100 PVC-U



Dimensions common to all DA versions

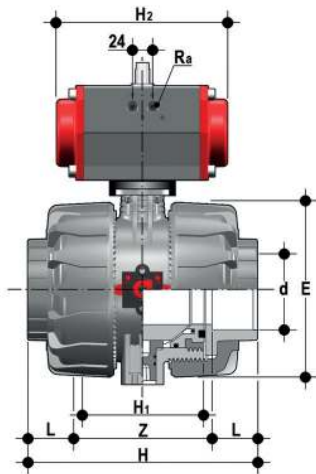
DN	B	B ₁	E ₁
65	222	87	86
80	252	105	94
100	280	129	104

Dimensions common to all SA versions

DN	B	B ₁	E ₁
65	239	87	94
80	262	105	104
100	295	129	120

DIMENSIONS

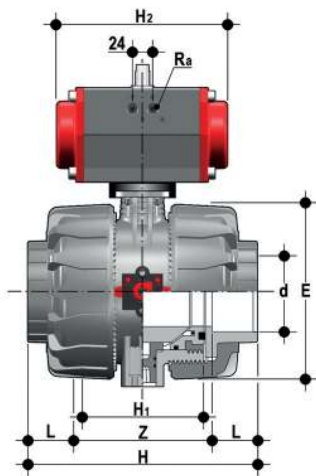
VKD/CP DN 65÷100 PVC-U



VKDIV/CP DA

DUAL BLOCK® ball valve with female ends for solvent welding, metric series with pneumatic actuator, Double-Acting function

d	DN	PN	E	H	H ₁	L	Z	H ₂	R _a	g	EPDM Code	FKM Code
75	65	10	164	235	133	44	147	155	G1/4"	5400	VKDIVDA075E	VKDIVDA075F
90	80	10	203	270	149	51	168	210	G1/4"	9520	VKDIVDA090E	VKDIVDA090F
110	100	10	238	308	167	61	186	228	G1/4"	14660	VKDIVDA110E	VKDIVDA110F



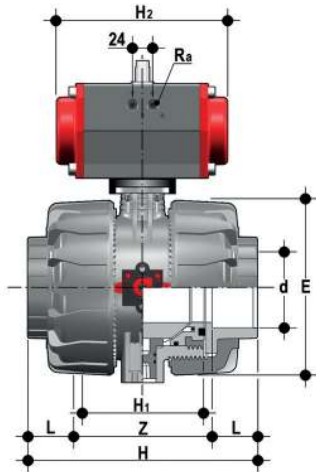
VKDIV/CP NC

DUAL BLOCK® ball valve with female ends for solvent welding, metric series with pneumatic actuator, Normally Closed function

d	DN	PN	E	H	H ₁	L	Z	H ₂	R _a	g	EPDM Code	FKM Code
75	65	10	164	235	133	44	147	210	G1/4"	7170	VKDIVNC075E	VKDIVNC075F
90	80	10	203	270	149	51	168	228	G1/4"	11450	VKDIVNC090E	VKDIVNC090F
110	100	10	238	308	167	61	186	280.5	G1/4"	17280	VKDIVNC110E	VKDIVNC110F

DIMENSIONS

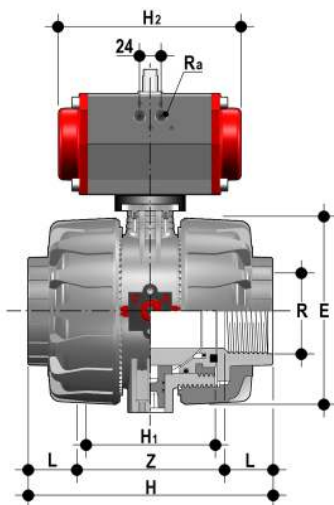
VKD/CP DN 65÷100 PVC-U



VKDIV/CP NO

DUAL BLOCK® ball valve with female ends for solvent welding, metric series with pneumatic actuator, Normally Open function

d	DN	PN	E	H	H ₁	L	Z	H ₂	R _a	g	EPDM Code	FKM Code
75	65	10	164	235	133	44	147	210	G1/4"	7170	VKDIVNO075E	VKDIVNO075F
90	80	10	203	270	149	51	168	228	G1/4"	11450	VKDIVNO090E	VKDIVNO090F
110	100	10	238	308	167	61	186	280.5	G1/4"	17280	VKDIVNO110E	VKDIVNO110F



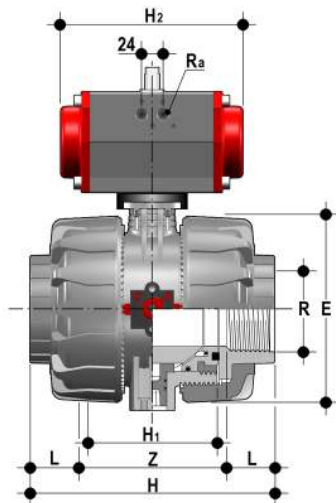
VKDFV/CP DA

DUAL BLOCK® ball valve with gas cylinder thread female ends with pneumatic actuator, Double-Acting function

R	DN	PN	E	H	H ₁	L	Z	H ₂	R _a	g	EPDM Code	FKM Code
2 1/2"	65	10	164	235	133	33.2	168.6	155	G1/4"	5400	VKDFVDA212E	VKDFVDA212F
3"	80	10	203	270	149	35.5	199	210	G1/4"	9520	VKDFVDA300E	VKDFVDA300F
4"	100	10	238	308	167	37.6	232.8	228	G1/4"	14660	VKDFVDA400E	VKDFVDA400F

DIMENSIONS

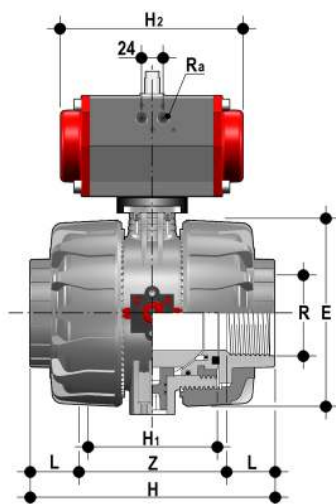
VKD/CP DN 65÷100 PVC-U



VKDFV/CP NC

DUAL BLOCK® ball valve with gas cylinder thread female ends with pneumatic actuator, Normally Closed function

R	DN	PN	E	H	H ₁	L	Z	H ₂	R _a	g	EPDM Code	FKM Code
2"1/2	65	10	164	235	133	33.2	168.6	210	G1/4"	7170	VKDFVNC212E	VKDFVNC212F
3"	80	10	203	270	149	35.5	199	228	G1/4"	11450	VKDFVNC300E	VKDFVNC300F
4"	100	10	238	308	167	37.6	232.8	280.5	G1/4"	17280	VKDFVNC400E	VKDFVNC400F



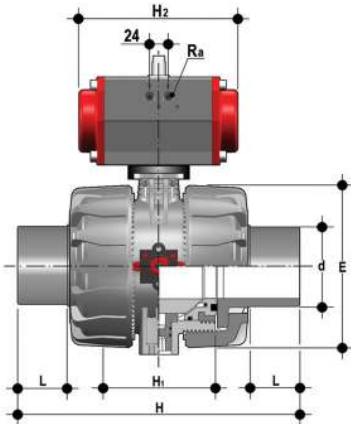
VKDFV/CP NO

DUAL BLOCK® ball valve with gas cylinder thread female ends with pneumatic actuator, Normally Open function

R	DN	PN	E	H	H ₁	L	Z	H ₂	R _a	g	EPDM Code	FKM Code
2"1/2	65	10	164	235	133	33.2	168.6	210	G1/4"	7170	VKDFVNO212E	VKDFVNO212F
3"	80	10	203	270	149	35.5	199	228	G1/4"	11450	VKDFVNO300E	VKDFVNO300F
4"	100	10	238	308	167	37.6	232.8	280.5	G1/4"	17280	VKDFVNO400E	VKDFVNO400F

DIMENSIONS

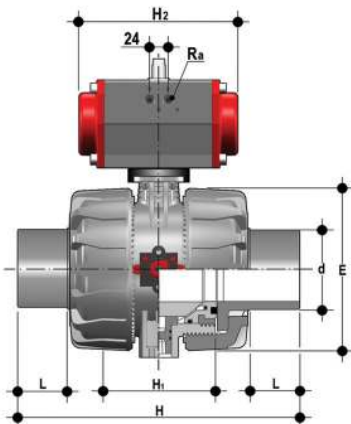
VKD/CP DN 65÷100 PVC-U



VKDDV/CP DA

DUAL BLOCK® ball valve with male ends for solvent welding, metric series with pneumatic actuator, Double-Acting function

d	DN	PN	E	H	H ₁	L	H ₂	R ₀	g	EPDM Code	FKM Code
75	65	10	164	284	133	44	155	G1/4"	5400	VKDDVDA075E	VKDDVDA075F
90	80	10	203	300	149	51	210	G1/4"	9520	VKDDVDA090E	VKDDVDA090F
110	100	10	238	340	167	61	228	G1/4"	14660	VKDDVDA110E	VKDDVDA110F



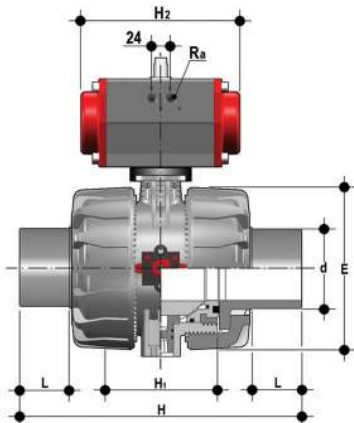
VKDDV/CP NC

DUAL BLOCK® ball valve with male ends for solvent welding, metric series with pneumatic actuator, Normally Closed function

d	DN	PN	E	H	H ₁	L	H ₂	R ₀	g	EPDM Code	FKM Code
75	65	10	164	284	133	36.5	210	G1/4"	7170	VKDDVNC075E	VKDDVNC075F
90	80	10	203	300	149	37.5	228	G1/4"	11450	VKDDVNC090E	VKDDVNC090F
110	100	10	238	340	167	42.5	280.5	G1/4"	17280	VKDDVNC110E	VKDDVNC110F

DIMENSIONS

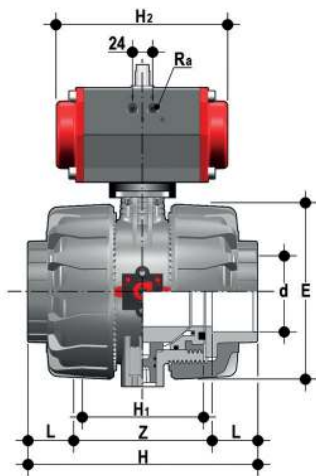
VKD/CP DN 65÷100 PVC-U



VKDDV/CP NO

DUAL BLOCK® ball valve with male ends for solvent welding, metric series with pneumatic actuator, Normally Open function

d	DN	PN	E	H	H ₁	L	H ₂	R ₀	g	EPDM Code	FKM Code
75	65	10	164	284	133	36.5	210	G1/4"	7170	VKDDVNO075E	VKDDVNO075F
90	80	10	203	300	149	37.5	228	G1/4"	11450	VKDDVNO090E	VKDDVNO090F
110	100	10	238	340	167	42.5	280.5	G1/4"	17280	VKDDVNO110E	VKDDVNO110F



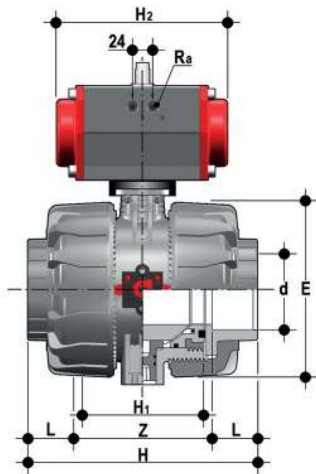
VKDLV/CP DA

Two way DUAL BLOCK® ball valve with female ends for solvent welding, BS series with pneumatic actuator, Double-Acting function

R	DN	PN	E	H	H ₁	L	Z	H ₂	R ₀	g	EPDM Code	FKM Code
2"1/2	65	10	164	235	133	44	147	155	G1/4"	5400	VKDLVDA212E	VKDLVDA212F
3"	80	10	203	270	149	51	168	210	G1/4"	9520	VKDLVDA300E	VKDLVDA300F
4"	100	10	238	308	167	63	186	228	G1/4"	14660	VKDLVDA400E	VKDLVDA400F

DIMENSIONS

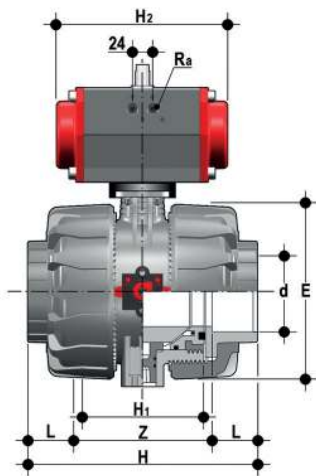
VKD/CP DN 65÷100 PVC-U



VKDLV/CP NC

Two way DUAL BLOCK® ball valve with female ends for solvent welding, BS series with pneumatic actuator, Normally Closed function

R	DN	PN	E	H	H ₁	L	Z	H ₂	R _a	g	EPDM Code	FKM Code
2"1/2	65	10	164	235	133	44	147	210	G1/4"	7170	VKDLVNC212E	VKDLVNC212F
3"	80	10	203	270	149	51	168	228	G1/4"	11450	VKDLVNC300E	VKDLVNC300F
4"	100	10	238	308	167	63	186	280.5	G1/4"	17280	VKDLVNC400E	VKDLVNC400F



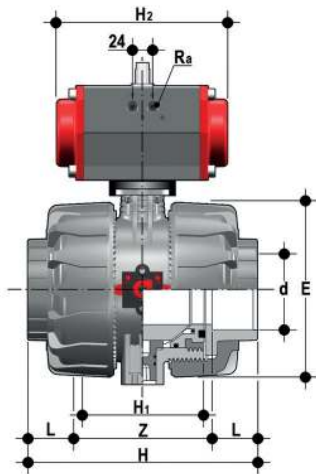
VKDLV/CP NO

Two way DUAL BLOCK® ball valve with female ends for solvent welding, BS series with pneumatic actuator, Normally Open function

R	DN	PN	E	H	H ₁	L	Z	H ₂	R _a	g	EPDM Code	FKM Code
2"1/2	65	10	164	235	133	44	147	210	G1/4"	7170	VKDLVNO212E	VKDLVNO212F
3"	80	10	203	270	149	51	168	228	G1/4"	11450	VKDLVNO300E	VKDLVNO300F
4"	100	10	238	308	167	63	186	280.5	G1/4"	17280	VKDLVNO400E	VKDLVNO400F

DIMENSIONS

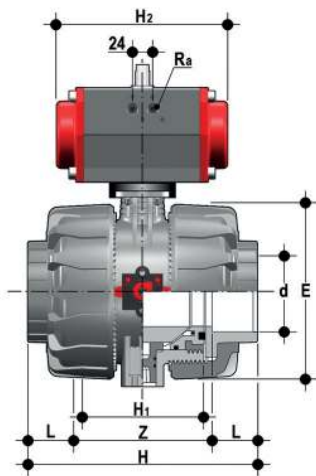
VKD/CP DN 65÷100 PVC-U



VKDAV/CP DA

Two way DUAL BLOCK® ball valve with female ends for solvent welding, ASTM series with pneumatic actuator, Double-Acting function

d	DN	PN	E	H	H ₁	L	Z	H ₂	R _a	g	EPDM Code	FKM Code
2 1/2"	65	10	164	235	133	44.5	146	155	G1/4"	5400	VKDAVDA212E	VKDAVDA212F
3"	80	10	203	270	149	48	174	210	G1/4"	9520	VKDAVDA300E	VKDAVDA300F
4"	100	10	238	308	167	57.5	193	228	G1/4"	14660	VKDAVDA400E	VKDAVDA400F



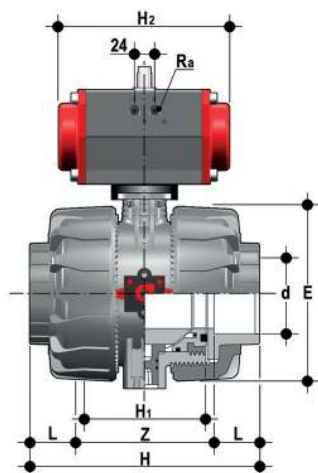
VKDAV/CP NC

Two way DUAL BLOCK® ball valve with female ends for solvent welding, ASTM series with pneumatic actuator, Normally Closed function

d	DN	PN	E	H	H ₁	L	Z	H ₂	R _a	g	EPDM Code	FKM Code
2 1/2"	65	10	164	235	133	44.5	146	210	G1/4"	7170	VKDAVNC212E	VKDAVNC212F
3"	80	10	203	270	149	48	174	228	G1/4"	11450	VKDAVNC300E	VKDAVNC300F
4"	100	10	238	308	167	57.5	193	280.5	G1/4"	17280	VKDAVNC400E	VKDAVNC400F

DIMENSIONS

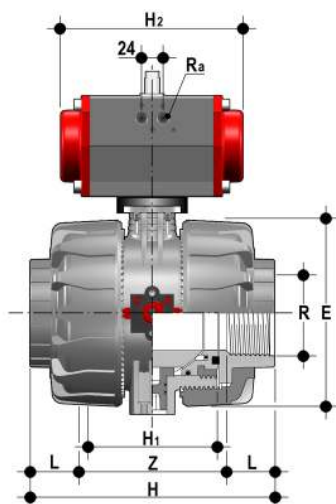
VKD/CP DN 65÷100 PVC-U



VKDAV/CP NO

Two way DUAL BLOCK® ball valve with female ends for solvent welding, ASTM series with pneumatic actuator, Normally Open function

d	DN	PN	E	H	H ₁	L	Z	H ₂	R _a	g	EPDM Code	FKM Code
2 1/2"	65	10	164	235	133	44.5	146	210	G1/4"	7170	VKDAVNO212E	VKDAVNO212F
3"	80	10	203	270	149	48	174	228	G1/4"	11450	VKDAVNO300E	VKDAVNO300F
4"	100	10	238	308	167	57.5	193	280.5	G1/4"	17280	VKDAVNO400E	VKDAVNO400F



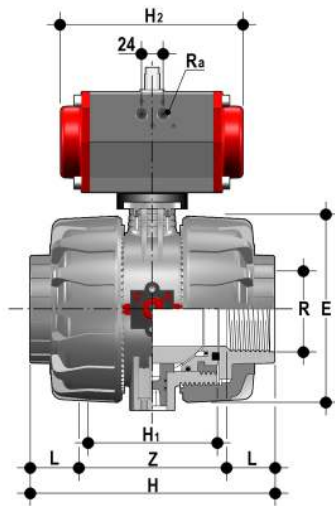
VKDNV/CP DA

Two way DUAL BLOCK® ball valve with NPT thread female ends with pneumatic actuator, Double-Acting function

R	DN	PN	E	H	H ₁	L	Z	H ₂	R _a	g	EPDM Code	FKM Code
2 1/2"	65	10	164	235	133	33.2	168.6	155	G1/4"	5400	VKDNVDA212E	VKDNVDA212F
3"	80	10	203	270	149	35.5	199	210	G1/4"	9520	VKDNVDA300E	VKDNVDA300F
4"	100	10	238	308	167	37.6	232.8	228	G1/4"	14660	VKDNVDA400E	VKDNVDA400F

DIMENSIONS

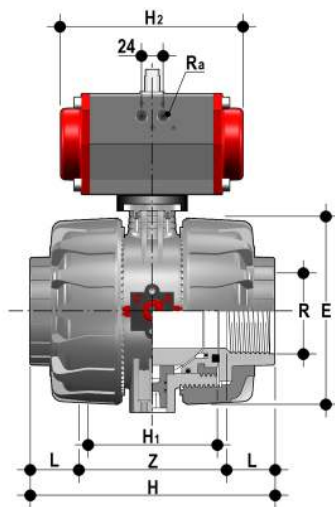
VKD/CP DN 65÷100 PVC-U



VKDNV/CP NC

Two way DUAL BLOCK® ball valve with NPT thread female ends with pneumatic actuator, Normally Closed function

R	DN	PN	E	H	H ₁	L	Z	H ₂	R _a	g	EPDM Code	FKM Code
2"1/2	65	10	164	235	133	33.2	168.6	210	G1/4"	7170	VKDNVNC212E	VKDNVNC212F
3"	80	10	203	270	149	35.5	199	228	G1/4"	11450	VKDNVNC300E	VKDNVNC300F
4"	100	10	238	308	167	37.6	232.8	280.5	G1/4"	17280	VKDNVNC400E	VKDNVNC400F



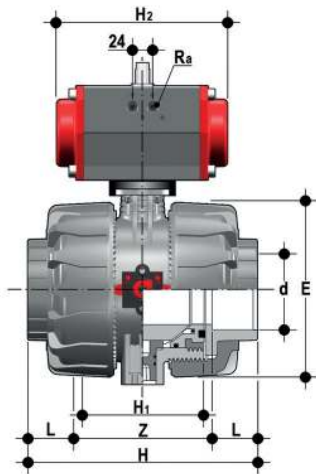
VKDNV/CP NO

Two way DUAL BLOCK® ball valve with NPT thread female ends with pneumatic actuator, Normally Open function

R	DN	PN	E	H	H ₁	L	Z	H ₂	R _a	g	EPDM Code	FKM Code
2"1/2	65	10	164	235	133	33.2	168.6	210	G1/4"	7170	VKDNVNO212E	VKDNVNO212F
3"	80	10	203	270	149	35.5	199	228	G1/4"	11450	VKDNVNO300E	VKDNVNO300F
4"	100	10	238	308	167	37.6	232.8	280.5	G1/4"	17280	VKDNVNO400E	VKDNVNO400F

DIMENSIONS

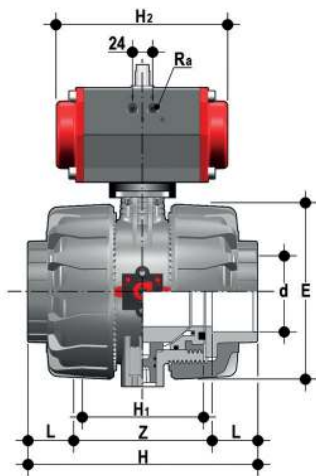
VKD/CP DN 65÷100 PVC-U



VKDJV/CP DA

Two way DUAL BLOCK® ball valve with female ends for solvent welding, JIS series with pneumatic actuator, Double-Acting function

d	DN	PN	E	H	H ₁	L	Z	H ₂	R _a	g	EPDM Code	FKM Code
2 1/2"	65	10	164	267	133	61	145	155	G1/4"	5400	VKDJVDA212E	VKDJVDA212F
3"	80	10	203	294	149	64.5	165	210	G1/4"	9520	VKDJVDA300E	VKDJVDA300F
4"	100	10	238	370	167	84	202	228	G1/4"	14660	VKDJVDA400E	VKDJVDA400F



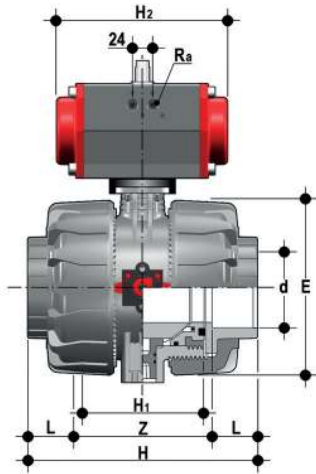
VKDJV/CP NC

Two way DUAL BLOCK® ball valve with female ends for solvent welding, JIS series with pneumatic actuator, Normally Closed function

d	DN	PN	E	H	H ₁	L	Z	H ₂	R _a	g	EPDM Code	FKM Code
2 1/2"	65	10	164	267	133	61	145	210	G1/4"	7170	VKDJVNC212E	VKDJVNC212F
3"	80	10	203	294	149	64.5	165	228	G1/4"	11450	VKDJVNC300E	VKDJVNC300F
4"	100	10	238	370	167	84	202	280.5	G1/4"	17280	VKDJVNC400E	VKDJVNC400F

DIMENSIONS

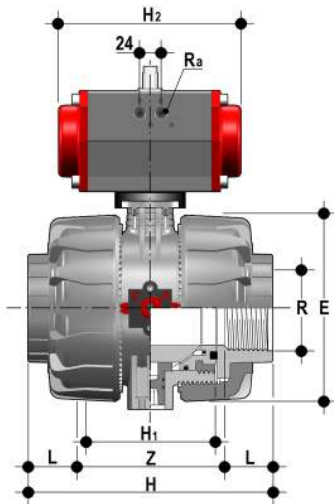
VKD/CP DN 65÷100 PVC-U



VKDJV/CP NO

Two way DUAL BLOCK® ball valve with female ends for solvent welding, JIS series with pneumatic actuator, Normally Open function

d	DN	PN	H	H ₁	F	f	U	Sp	H ₂	R ₃	g	EPDM Code	FKM Code
2 1/2"	65	10	164	267	133	61	145	210	G1/4"	239	1205	VKDJVNO212E	VKDJVNO212F
3"	80	10	203	294	149	64.5	165	228	G1/4"	262	1583	VKDJVNO300E	VKDJVNO300F
4"	100	10	238	370	167	84	202	280.5	G1/4"	295	1691	VKDJVNO400E	VKDJVNO400F



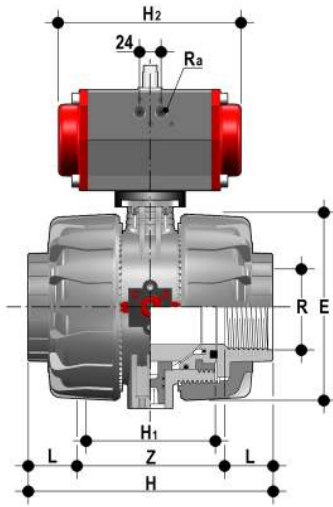
VKDG/CP DA

Two way DUAL BLOCK® ball valve with JIS thread female ends with pneumatic actuator, Double-Acting function

R	DN	PN	E	H	H ₁	L	Z	H ₂	R ₃	g	EPDM Code	FKM Code
2 1/2"	65	10	164	235	133	35	165	155	G1/4"	5400	VKDGVDA212E	VKDGVDA212F
3"	80	10	203	270	149	40	190	210	G1/4"	9520	VKDGVDA300E	VKDGVDA300F
4"	100	10	238	308	167	45	218	228	G1/4"	14660	VKDGVDA400E	VKDGVDA400F

DIMENSIONS

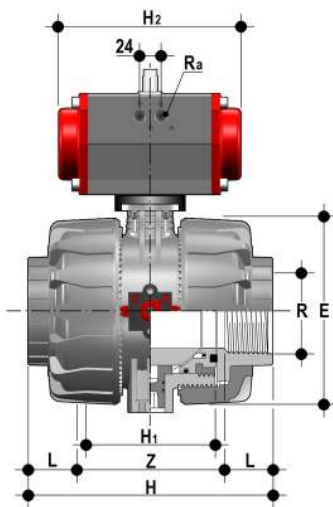
VKD/CP DN 65÷100 PVC-U



VKDG/CP NC

Two way DUAL BLOCK® ball valve with JIS thread female ends with pneumatic actuator, Normally Closed function

R	DN	PN	E	H	H ₁	L	Z	H ₂	R _a	g	EPDM Code	FKM Code
2"1/2	65	10	164	235	133	35	165	210	G1/4"	7170	VKDGVC212E	VKDGVC212F
3"	80	10	203	270	149	40	190	228	G1/4"	11450	VKDGVC300E	VKDGVC300F
4"	100	10	238	308	167	45	218	280.5	G1/4"	17280	VKDGVC400E	VKDGVC400F



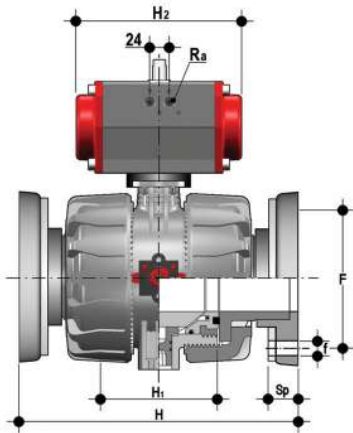
VKDG/CP NO

Two way DUAL BLOCK® ball valve with JIS thread female ends with pneumatic actuator, Normally Open function

R	DN	PN	E	H	H ₁	L	Z	H ₂	R _a	g	EPDM Code	FKM Code
2"1/2	65	10	164	235	133	35	165	210	G1/4"	7170	VKDGVO212E	VKDGVO212F
3"	80	10	203	270	149	40	190	228	G1/4"	11450	VKDGVO300E	VKDGVO300F
4"	100	10	238	308	167	45	218	280.5	G1/4"	17280	VKDGVO400E	VKDGVO400F

DIMENSIONS

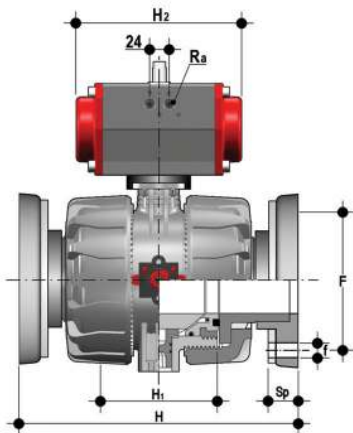
VKD/CP DN 65÷100 PVC-U



VKDOV/CP DA

DUAL BLOCK® Ball Valve with fixed flanges EN/ISO/DIN PN 10/16, face to face dimensions as per EN 558-1 with pneumatic actuator, Double-Acting function

d	DN	PN	H	H ₁	F	f	U	Sp	H ₂	R _a	g	EPDM Code	FKM Code
75	65	10	290	133	145	17	4	21	155	G1/4"	7630	VKDOVDA075E	VKDOVDA075F
90	80	10	310	149	160	17	4	21.5	210	G1/4"	11650	VKDOVDA090E	VKDOVDA090F
110	100	10	350	167	180	17	4	21.5	228	G1/4"	17335	VKDOVDA110E	VKDOVDA110F



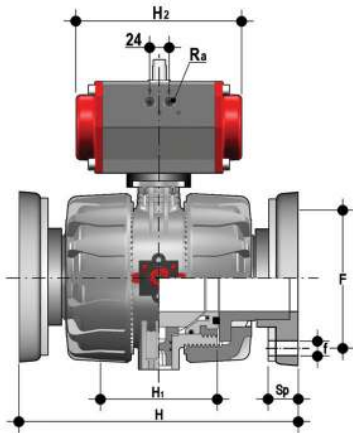
VKDOV/CP NC

DUAL BLOCK® Ball Valve with fixed flanges EN/ISO/DIN PN 10/16, face to face dimensions as per EN 558-1 with pneumatic actuator, Normally Closed function

d	DN	PN	H	H ₁	F	f	U	Sp	H ₂	R _a	g	EPDM Code	FKM Code
75	65	10	290	133	145	17	4	21	210	G1/4"	9400	VKDOVNC075E	VKDOVNC075F
90	80	10	310	149	160	17	4	21.5	228	G1/4"	13580	VKDOVNC090E	VKDOVNC090F
110	100	10	350	167	180	17	4	21.5	280.5	G1/4"	19955	VKDOVNC110E	VKDOVNC110F

DIMENSIONS

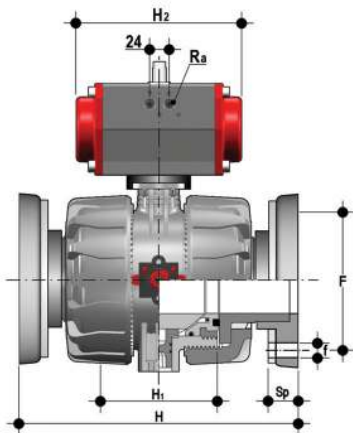
VKD/CP DN 65÷100 PVC-U



VKDOV/CP NO

DUAL BLOCK® Ball Valve with fixed flanges EN/ISO/DIN PN 10/16, face to face dimensions as per EN 558-1 with pneumatic actuator, Normally Open function

d	DN	PN	H	H ₁	F	f	U	Sp	H ₂	R ₂	g	EPDM Code	FKM Code
75	65	10	290	133	145	17	4	21	210	G1/4"	9400	VKDOVNO075E	VKDOVNO075F
90	80	10	310	149	160	17	4	21.5	228	G1/4"	13580	VKDOVNO090E	VKDOVNO090F
110	100	10	350	167	180	17	4	21.5	280.5	G1/4"	19955	VKDOVNO110E	VKDOVNO110F



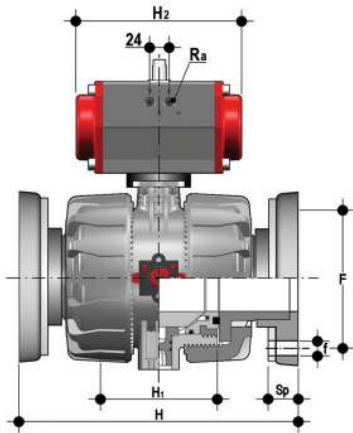
VKDOAV/CP DA

DUAL BLOCK® ball valve with fixed flanges drilled ANSI B16.5 cl.150#FF with pneumatic actuator, Double-Acting function

d	DN	PN	H	H ₁	F	f	U	Sp	H ₂	R ₂	g	EPDM Code	FKM Code
2"1/2	65	10	290	133	139.7	18	4	21	155	G1/4"	7630	VKDOVDA075E	VKDOVDA075F
3"	80	10	310	149	152.4	18	4	21.5	210	G1/4"	11650	VKDOVDA090E	VKDOVDA090F
4"	100	10	350	167	190.5	18	4	21.5	228	G1/4"	17335	VKDOVDA110E	VKDOVDA110F

DIMENSIONS

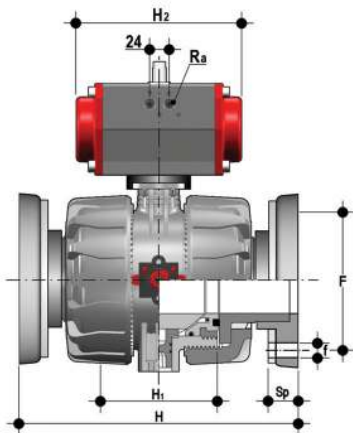
VKD/CP DN 65÷100 PVC-U



VKDOAV/CP NC

DUAL BLOCK® ball valve with fixed flanges drilled ANSI B16.5 cl.150#FF with pneumatic actuator, Normally Closed function

d	DN	PN	H	H ₁	F	f	U	Sp	H ₂	R ₂	g	EPDM Code	FKM Code
2"1/2	65	10	290	133	139.7	18	4	21	210	G1/4"	9400	VKDOVNC075E	VKDOVNC075F
3"	80	10	310	149	152.4	18	4	21.5	228	G1/4"	13580	VKDOVNC090E	VKDOVNC090F
4"	100	10	350	167	190.5	18	4	21.5	280.5	G1/4"	19955	VKDOVNC110E	VKDOVNC110F



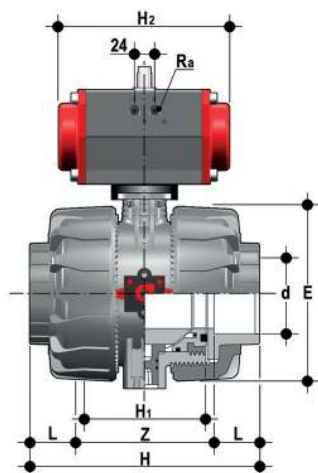
VKDOAV/CP NO

DUAL BLOCK® ball valve with fixed flanges drilled ANSI B16.5 cl.150#FF with pneumatic actuator, Normally Open function

d	DN	PN	H	H ₁	F	f	U	Sp	H ₂	R ₂	g	EPDM Code	FKM Code
2"1/2	65	10	290	133	139.7	18	4	21	210	G1/4"	9400	VKDOVNO075E	VKDOVNO075F
3"	80	10	310	149	152.4	18	4	21.5	228	G1/4"	13580	VKDOVNO090E	VKDOVNO090F
4"	100	10	350	167	190.5	18	4	21.5	280.5	G1/4"	19955	VKDOVNO110E	VKDOVNO110F

DIMENSIONS

VKD/CP DN 65÷100 PVC-C

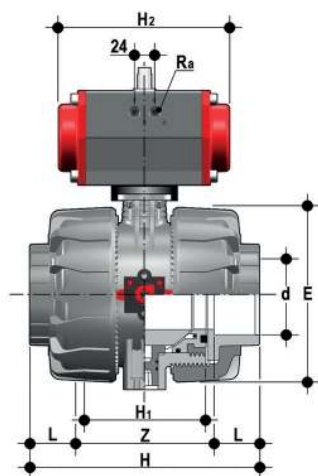


VKDIC/CP DA

DUAL BLOCK® ball valve with female ends for solvent welding, metric series with pneumatic actuator, Double-Acting function

d	DN	*PN	E	H	H ₁	L	Z	H ₂	R _a	g	EPDM Code	FKM Code
75	65	10	164	235	133	44	147	155	G1/4"	5770	VKDICDA075E	VKDICDA075F
90	80	10	203	270	149	51	168	210	G1/4"	10158	VKDICDA090E	VKDICDA090F
110	100	10	238	308	167	61	186	228	G1/4"	15657	VKDICDA110E	VKDICDA110F

* PN 16 upon request



VKDIC/CP NC

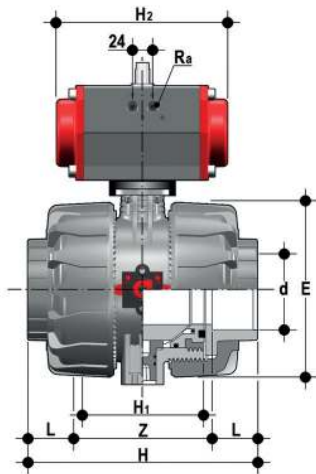
DUAL BLOCK® ball valve with female ends for solvent welding, metric series with pneumatic actuator, Normally Closed function

d	DN	*PN	E	H	H ₁	L	Z	H ₂	R _a	g	EPDM Code	FKM Code
75	65	10	164	235	133	44	147	210	G1/4"	7540	VKDICNC075E	VKDICNC075F
90	80	10	203	270	149	51	168	228	G1/4"	12088	VKDICNC090E	VKDICNC090F
110	100	10	238	308	167	61	186	280.5	G1/4"	18277	VKDICNC110E	VKDICNC110F

* PN 16 upon request

DIMENSIONS

VKD/CP DN 65÷100 PVC-C

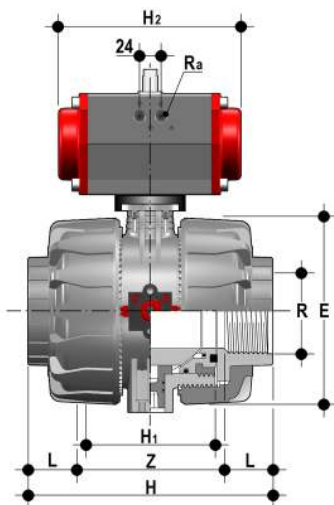


VKDIC/CP NO

DUAL BLOCK® ball valve with female ends for solvent welding, metric series with pneumatic actuator, Normally Open function

d	DN	*PN	E	H	H ₁	L	Z	H ₂	R _s	g	EPDM Code	FKM Code
75	65	10	164	235	133	44	147	210	G1/4"	7540	VKDICNO075E	VKDICNO075F
90	80	10	203	270	149	51	168	228	G1/4"	12088	VKDICNO090E	VKDICNO090F
110	100	10	238	308	167	61	186	280.5	G1/4"	18277	VKDICNO110E	VKDICNO110F

* PN 16 upon request



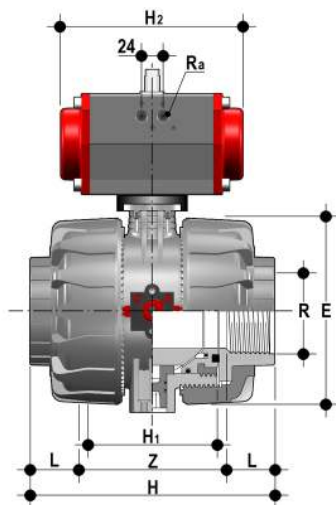
VKDNC/CP DA

Two way DUAL BLOCK® ball valve with NPT thread female ends with pneumatic actuator, Double-Acting function

R	DN	PN	E	H	H ₁	L	Z	H ₂	R _s	g	EPDM Code	FKM Code
2 1/2"	65	10	164	235	133	33.2	168.6	155	G1/4"	5770	VKDNCDA212E	VKDNCDA212F
3"	80	10	203	270	149	35.5	199	210	G1/4"	10158	VKDNCDA300E	VKDNCDA300F
4"	100	10	238	308	167	37.6	232.8	228	G1/4"	15657	VKDNCDA400E	VKDNCDA400F

DIMENSIONS

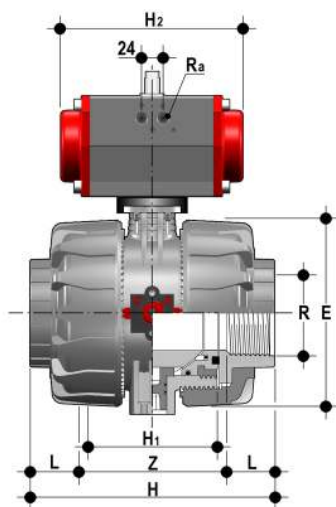
VKD/CP DN 65÷100 PVC-C



VKDNC/CP NC

Two way DUAL BLOCK® ball valve with NPT thread female ends with pneumatic actuator, Normally Closed function

R	DN	PN	E	H	H ₁	L	Z	H ₂	R _a	g	EPDM Code	FKM Code
2"1/2	65	10	164	235	133	33.2	168.6	210	G1/4"	7540	VKDNCNC212E	VKDNCNC212F
3"	80	10	203	270	149	35.5	199	228	G1/4"	12088	VKDNCNC300E	VKDNCNC300F
4"	100	10	238	308	167	37.6	232.8	280.5	G1/4"	18277	VKDNCNC400E	VKDNCNC400F



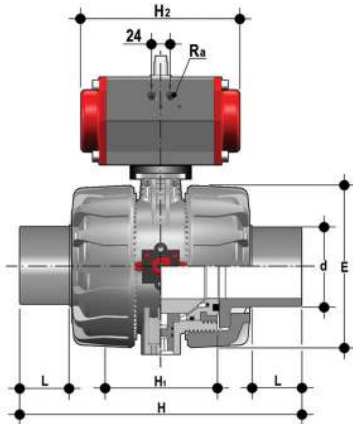
VKDNC/CP NO

Two way DUAL BLOCK® ball valve with NPT thread female ends with pneumatic actuator, Normally Open function

R	DN	PN	E	H	H ₁	L	Z	H ₂	R _a	g	EPDM Code	FKM Code
2"1/2	65	10	164	235	133	33.2	168.6	210	G1/4"	7540	VKDNCNO212E	VKDNCNO212F
3"	80	10	203	270	149	35.5	199	228	G1/4"	12088	VKDNCNO300E	VKDNCNO300F
4"	100	10	238	308	167	37.6	232.8	280.5	G1/4"	18277	VKDNCNO400E	VKDNCNO400F

DIMENSIONS

VKD/CP DN 65÷100 PVC-C

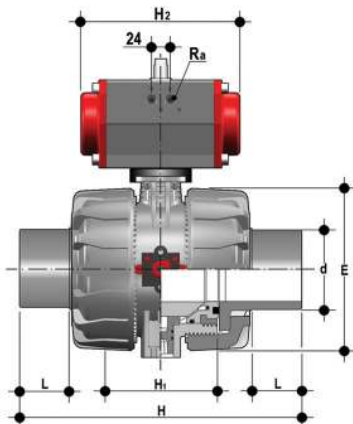


VKDDC/CP DA

DUAL BLOCK® ball valve with male ends for solvent welding, metric series with pneumatic actuator, Double-Acting function

d	DN	*PN	E	H	H ₁	L	H ₂	R ₀	g	EPDM Code	FKM Code
75	65	10	164	284	133	44	155	G1/4"	5770	VKDDCDA075E	VKDDCDA075F
90	80	10	203	300	149	51	210	G1/4"	10158	VKDDCDA090E	VKDDCDA090F
110	100	10	238	340	167	61	228	G1/4"	15657	VKDDCDA110E	VKDDCDA110F

* PN 16 upon request



VKDDC/CP NC

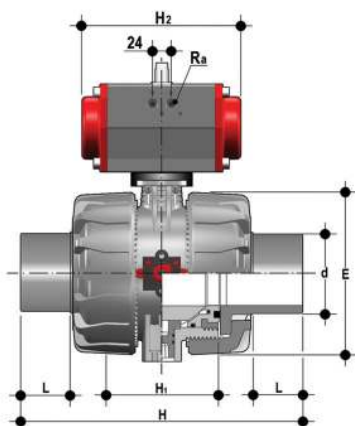
DUAL BLOCK® ball valve with male ends for solvent welding, metric series with pneumatic actuator, Normally Closed function

d	DN	*PN	E	H	H ₁	L	H ₂	R ₀	g	EPDM Code	FKM Code
75	65	10	164	284	133	44	210	G1/4"	7540	VKDDCNC075E	VKDDCNC075F
90	80	10	203	300	149	51	228	G1/4"	12088	VKDDCNC090E	VKDDCNC090F
110	100	10	238	340	167	61	280.5	G1/4"	18277	VKDDCNC110E	VKDDCNC110F

* PN 16 upon request

DIMENSIONS

VKD/CP DN 65÷100 PVC-C

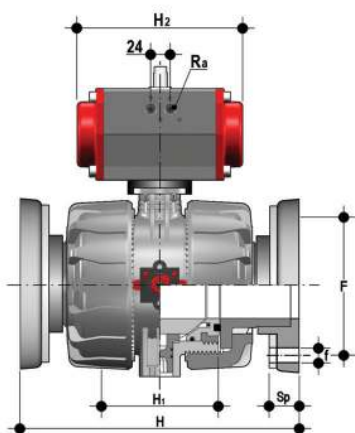


VKDDC/CP NO

DUAL BLOCK® ball valve with male ends for solvent welding, metric series with pneumatic actuator, Normally Open function

d	DN	*PN	E	H	H ₁	L	H ₂	R ₀	g	EPDM Code	FKM Code
75	65	10	164	284	133	44	210	G1/4"	7540	VKDDCNO075E	VKDDCNO075F
90	80	10	203	300	149	51	228	G1/4"	12088	VKDDCNO090E	VKDDCNO090F
110	100	10	238	340	167	61	280.5	G1/4"	18277	VKDDCNO110E	VKDDCNO110F

* PN 16 upon request



VKDOC/CP DA

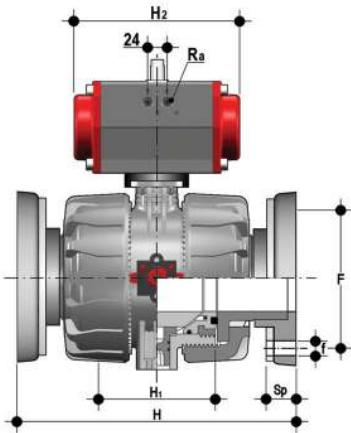
DUAL BLOCK® Ball Valve with fixed flanges, drilled EN/ISO/DIN PN 10/16, face to face dimensions as per EN 558-1 with pneumatic actuator, Double-Acting function

d	DN	*PN	H	H ₁	F	f	U	Sp	H ₂	R ₀	g	EPDM Code	FKM Code
75	65	10	290	133	145	17	4	21	155	G1/4"	8257	VKDOCD A075E	VKDOCD A075F
90	80	10	310	149	160	17	4	21.5	210	G1/4"	12535	VKDOCD A090E	VKDOCD A090F
110	100	10	350	167	180	17	4	21.5	228	G1/4"	18646	VKDOCD A110E	VKDOCD A110F

* PN 16 upon request

DIMENSIONS

VKD/CP DN 65÷100 PVC-C

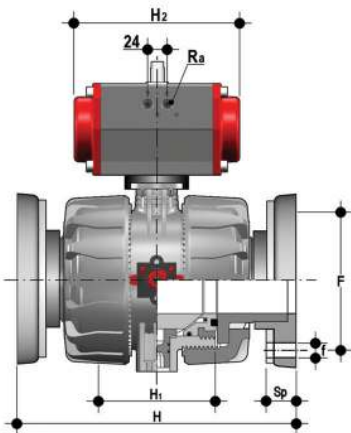


VKDOC/CP NC

DUAL BLOCK® Ball Valve with fixed flanges, drilled EN/ISO/DIN PN 10/16, face to face dimensions as per EN 558-1 with pneumatic actuator, Normally Closed function

d	DN	*PN	H	H ₁	F	f	U	Sp	H ₂	R ₂	g	EPDM Code	FKM Code
75	65	10	290	133	145	17	4	21	210	G1/4"	10027	VKDOCNC075E	VKDOCNC075F
90	80	10	310	149	160	17	4	21.5	228	G1/4"	14465	VKDOCNC090E	VKDOCNC090F
110	100	10	350	167	180	17	4	21.5	280.5	G1/4"	21266	VKDOCNC110E	VKDOCNC110F

* PN 16 upon request



VKDOC/CP NO

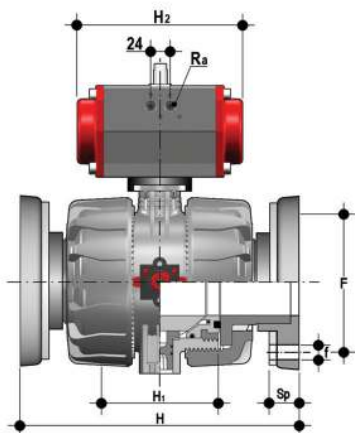
DUAL BLOCK® Ball Valve with fixed flanges, drilled EN/ISO/DIN PN 10/16, face to face dimensions as per EN 558-1 with pneumatic actuator, Normally Open function

d	DN	*PN	H	H ₁	F	f	U	Sp	H ₂	R ₂	g	EPDM Code	FKM Code
75	65	10	290	133	145	17	4	21	210	G1/4"	10027	VKDOCNO075E	VKDOCNO075F
90	80	10	310	149	160	17	4	21.5	228	G1/4"	14465	VKDOCNO090E	VKDOCNO090F
110	100	10	350	167	180	17	4	21.5	280.5	G1/4"	21266	VKDOCNO110E	VKDOCNO110F

* PN 16 upon request

DIMENSIONS

VKD/CP DN 65÷100 PVC-C

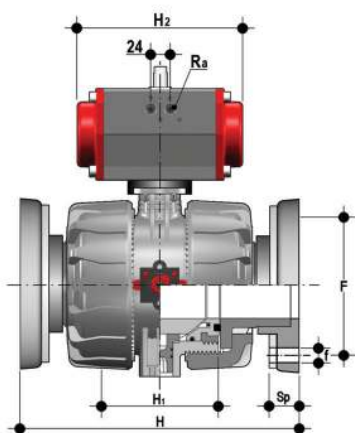


VKDOAC/CP DA

DUAL BLOCK® ball valve with fixed flanges drilled ANSI B16.5 cl.150#FF with pneumatic actuator, Double-Acting function

d	DN	*PN	H	H ₁	F	f	U	Sp	H ₂	R ₂	g	EPDM Code	FKM Code
2"1/2	65	10	290	133	139.7	18	4	21	155	G1/4"	8257	VKDOCD A075E	VKDOCD A075F
3"	80	10	310	149	152.4	18	4	21.5	210	G1/4"	12535	VKDOCD A090E	VKDOCD A090F
4"	100	10	350	167	190.5	18	4	21.5	228	G1/4"	18646	VKDOCD A110E	VKDOCD A110F

* PN 16 upon request



VKDOAC/CP NC

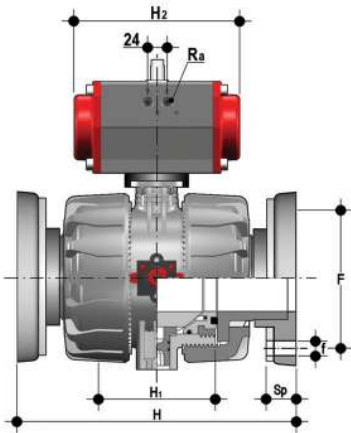
DUAL BLOCK® ball valve with fixed flanges drilled ANSI B16.5 cl.150#FF with pneumatic actuator, Normally Closed function

d	DN	*PN	H	H ₁	F	f	U	Sp	H ₂	R ₂	g	EPDM Code	FKM Code
2"1/2	65	10	290	133	139.7	18	4	21	210	G1/4"	10027	VKDOCNC075E	VKDOCNC075F
3"	80	10	310	149	152.4	18	4	21.5	228	G1/4"	14465	VKDOCNC090E	VKDOCNC090F
4"	100	10	350	167	190.5	18	4	21.5	280.5	G1/4"	21266	VKDOCNC110E	VKDOCNC110F

* PN 16 upon request

DIMENSIONS

VKD/CP DN 65÷100 PVC-C

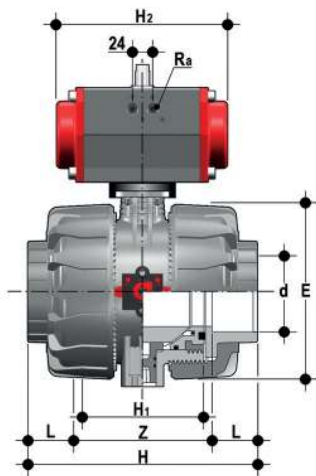


VKDOAC/CP NO

DUAL BLOCK® ball valve with fixed flanges drilled ANSI B16.5 cl.150#FF with pneumatic actuator, Normally Open function

d	DN	*PN	H	H ₁	F	f	U	Sp	H ₂	R _a	g	EPDM Code	FKM Code
2"1/2	65	10	290	133	139.7	18	4	21	210	G1/4"	10027	VKDOCNO075E	VKDOCNO075F
3"	80	10	310	149	152.4	18	4	21.5	228	G1/4"	14465	VKDOCNO090E	VKDOCNO090F
4"	100	10	350	167	190.5	18	4	21.5	280.5	G1/4"	21266	VKDOCNO110E	VKDOCNO110F

* PN 16 upon request



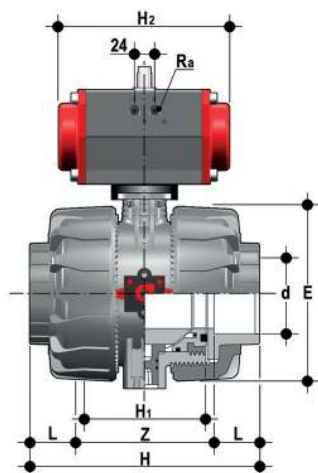
VKDAC/CP DA

Two way DUAL BLOCK® ball valve with female ends for solvent welding, ASTM series with pneumatic actuator, Double-Acting function

d	DN	PN	E	H	H ₁	L	Z	H ₂	R _a	g	EPDM Code	FKM Code
2"1/2	65	10	164	235	133	44.5	146	155	G1/4"	5770	VKDACDA212E	VKDACDA212F
3"	80	10	203	270	149	48	174	210	G1/4"	10158	VKDACDA300E	VKDACDA300F
4"	100	10	238	308	167	57.5	193	228	G1/4"	15657	VKDACDA400E	VKDACDA400F

DIMENSIONS

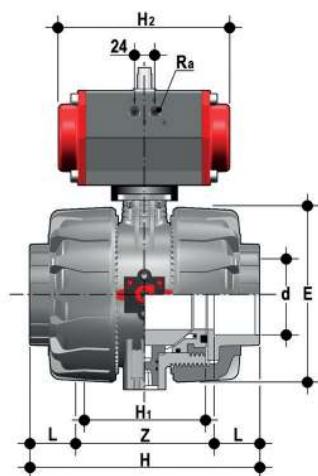
VKD/CP DN 65÷100 PVC-C



VKDAC/CP NC

Two way DUAL BLOCK® ball valve with female ends for solvent welding, ASTM series with pneumatic actuator, Normally Closed function

d	DN	PN	E	H	H ₁	L	Z	H ₂	R _a	g	EPDM Code	FKM Code
2 1/2"	65	10	164	235	133	44.5	146	210	G1/4"	7540	VKDACNC212E	VKDACNC212F
3"	80	10	203	270	149	48	174	228	G1/4"	12088	VKDACNC300E	VKDACNC300F
4"	100	10	238	308	167	57.5	193	280.5	G1/4"	18277	VKDACNC400E	VKDACNC400F



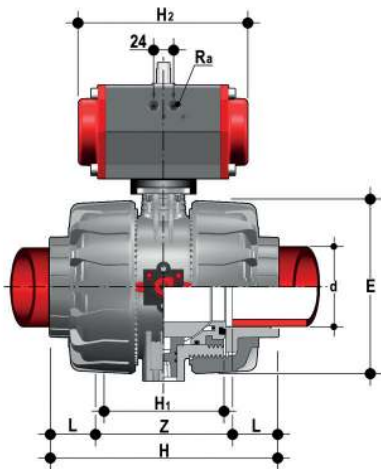
VKDAC/CP NO

Two way DUAL BLOCK® ball valve with female ends for solvent welding, ASTM series with pneumatic actuator, Normally Open function

d	DN	PN	E	H	H ₁	L	Z	H ₂	R _a	g	EPDM Code	FKM Code
2 1/2"	65	10	164	235	133	44.5	146	210	G1/4"	7540	VKDACNO212E	VKDACNO212F
3"	80	10	203	270	149	48	174	228	G1/4"	12088	VKDACNO300E	VKDACNO300F
4"	100	10	238	308	167	57.5	193	280.5	G1/4"	18277	VKDACNO400E	VKDACNO400F

DIMENSIONS

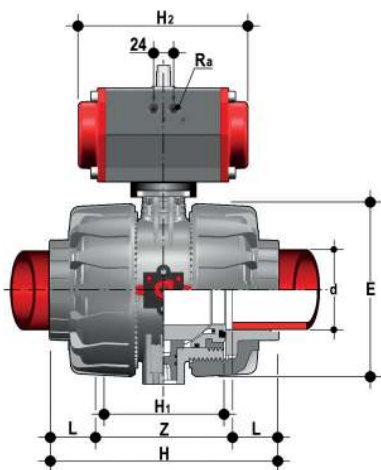
VKD/CP DN 65÷100 PP-H



VKDIM/CP DA

DUAL BLOCK® ball valve with female ends for socket welding, metric series with pneumatic actuator, Double-Acting function

d	DN	PN	E	H	H ₁	L	Z	H ₂	R _a	g	EPDM Code	FKM Code
75	65	10	164	213	133	33	147	155	G1/4"	4110	VKDIMDA075E	VKDIMDA075F
90	80	10	203	239	149	36	168	210	G1/4"	7400	VKDIMDA090E	VKDIMDA090F
110	100	10	238	268	167	41	186	228	G1/4"	11245	VKDIMDA110E	VKDIMDA110F



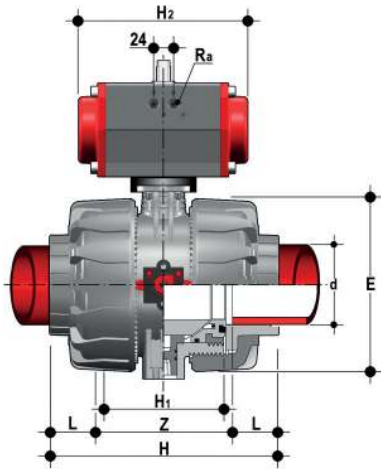
VKDIM/CP NC

DUAL BLOCK® ball valve with female ends for socket welding, metric series with pneumatic actuator, Normally Closed function

d	DN	PN	E	H	H ₁	L	Z	H ₂	R _a	g	EPDM Code	FKM Code
75	65	10	164	213	133	33	147	210	G1/4"	5880	VKDIMNC075E	VKDIMNC075F
90	80	10	203	239	149	36	168	228	G1/4"	9330	VKDIMNC090E	VKDIMNC090F
110	100	10	238	268	167	41	186	280.5	G1/4"	13865	VKDIMNC110E	VKDIMNC110F

DIMENSIONS

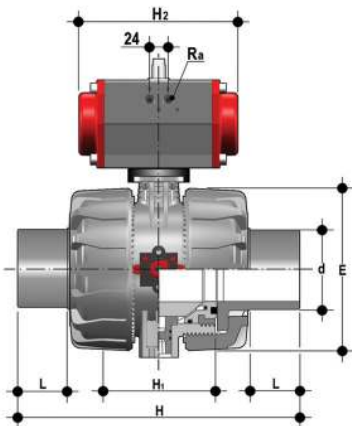
VKD/CP DN 65÷100 PP-H



VKDIM/CP NO

DUAL BLOCK® ball valve with female ends for socket welding, metric series with pneumatic actuator, Normally Open function

d	DN	PN	E	H	H ₁	L	Z	H ₂	R _a	g	EPDM Code	FKM Code
75	65	10	164	213	133	33	147	210	G1/4"	5880	VKDIMNO075E	VKDIMNO075F
90	80	10	203	239	149	36	168	228	G1/4"	9330	VKDIMNO090E	VKDIMNO090F
110	100	10	238	268	167	41	186	280.5	G1/4"	13865	VKDIMNO110E	VKDIMNO110F



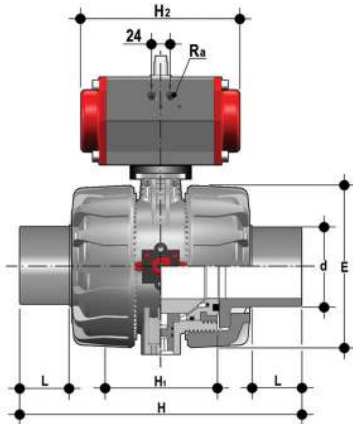
VKDDM/CP DA

DUAL BLOCK® ball valve with male ends for socket welding, metric series with pneumatic actuator, Double-Acting function

d	DN	PN	E	H	H ₁	L	H ₂	R _a	g	EPDM Code	FKM Code
75	65	10	164	284	133	36.5	155	G1/4"	4110	VKDDMDA075E	VKDDMDA075F
90	80	10	203	300	149	37.5	210	G1/4"	7400	VKDDMDA090E	VKDDMDA090F
110	100	10	238	340	167	42.5	228	G1/4"	11245	VKDDMDA110E	VKDDMDA110F

DIMENSIONS

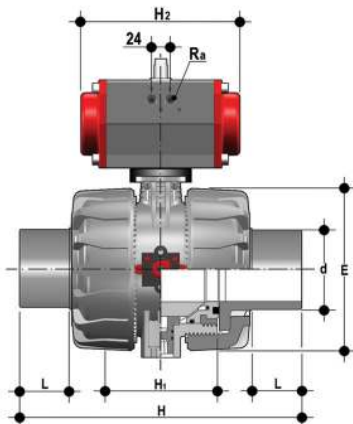
VKD/CP DN 65÷100 PP-H



VKDDM/CP NC

DUAL BLOCK® ball valve with male ends for socket welding, metric series with pneumatic actuator, Normally Closed function

d	DN	PN	E	H	H ₁	L	H ₂	R _o	g	EPDM Code	FKM Code
75	65	10	164	284	133	36.5	210	G1/4"	5880	VKDDMNC075E	VKDDMNC075F
90	80	10	203	300	149	37.5	228	G1/4"	9330	VKDDMNC090E	VKDDMNC090F
110	100	10	238	340	167	42.5	280.5	G1/4"	13865	VKDDMNC110E	VKDDMNC110F



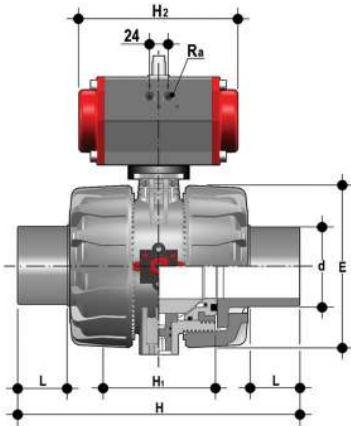
VKDDM/CP NO

DUAL BLOCK® ball valve with male ends for socket welding, metric series with pneumatic actuator, Normally Open function

d	DN	PN	E	H	H ₁	L	H ₂	R _o	g	EPDM Code	FKM Code
75	65	10	164	284	133	36.5	210	G1/4"	5880	VKDDMNO075E	VKDDMNO075F
90	80	10	203	300	149	37.5	228	G1/4"	9330	VKDDMNO090E	VKDDMNO090F
110	100	10	238	340	167	42.5	280.5	G1/4"	13865	VKDDMNO110E	VKDDMNO110F

DIMENSIONS

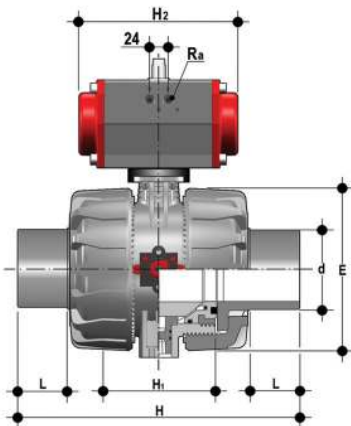
VKD/CP DN 65÷100 PP-H



VKDBM/CP DA

2 way DUAL BLOCK® ball valve with long spigot male ends in PP-H SDR21 for head welding (CVDM) with pneumatic actuator, Double-Acting function

d	DN	PN	E	H	H ₁	L	H ₂	g	EPDM Code	FKM Code
75	65	10	162	356	133	71	155	4110	VKDBMDA075E	VKDBMDA075F
90	80	10	202	390	149	88	210	7400	VKDBMDA090E	VKDBMDA090F
110	100	10	236	431	167	92	228	11245	VKDBMDA110E	VKDBMDA110F



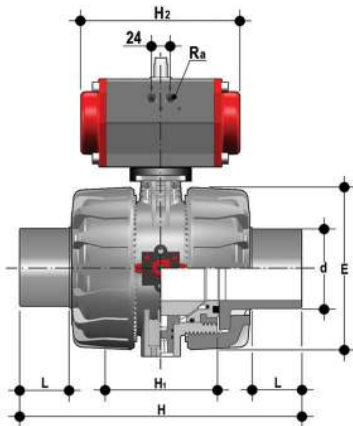
VKDBM/CP NC

2 way DUAL BLOCK® ball valve with long spigot male ends in PP-H SDR21 for head welding (CVDM) with pneumatic actuator, Normally Closed function

R	DN	PN	E	H	H ₁	L	H ₂	g	EPDM Code	FKM Code
75	65	10	162	356	133	71	210	5880	VKDBMNC075E	VKDBMNC075F
90	80	10	202	390	149	88	228	9330	VKDBMNC090E	VKDBMNC090F
110	100	10	236	431	167	92	280.5	13865	VKDBMNC110E	VKDBMNC110F

DIMENSIONS

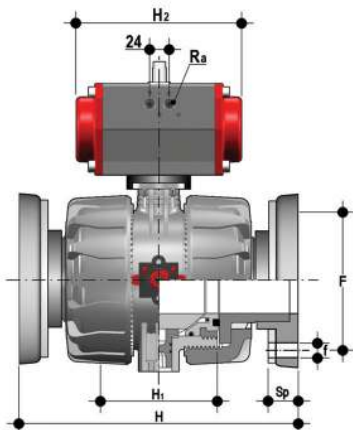
VKD/CP DN 65÷100 PP-H



VKDBM/CP NO

2 way DUAL BLOCK® ball valve with long spigot male ends in PP-H SDR21 for head welding (CVDM) with pneumatic actuator, Normally Open function

d	DN	PN	E	H	H ₁	L	H ₂	g	EPDM Code	FKM Code
75	65	10	162	356	133	71	210	5880	VKDBMNO075E	VKDBMNO075F
90	80	10	202	390	149	88	228	9330	VKDBMNO090E	VKDBMNO090F
110	100	10	236	431	167	92	280.5	13865	VKDBMNO110E	VKDBMNO110F



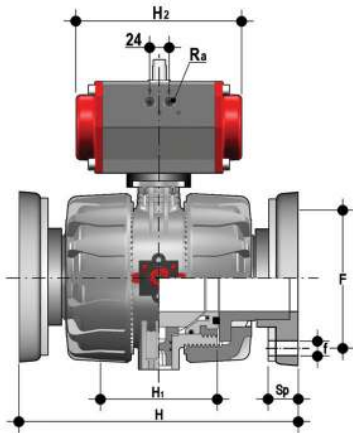
VKDOM/CP DA

DUAL BLOCK® Ball Valve with fixed flanges, drilled EN/ISO/DIN PN 10/16, face to face dimensions as per EN 558-1 with pneumatic actuator, Double-Acting function

d	DN	PN	H	H ₁	F	f	U	Sp	H ₂	R _o	g	EPDM Code	FKM Code
75	65	10	290	133	145	17	4	24	155	G1/4"	5520	VKDOMDA075E	VKDOMDA075F
90	80	10	310	149	160	17	4	24.5	210	G1/4"	8775	VKDOMDA090E	VKDOMDA090F
110	100	10	350	167	180	17	4	24.5	228	G1/4"	12610	VKDOMDA110E	VKDOMDA110F

DIMENSIONS

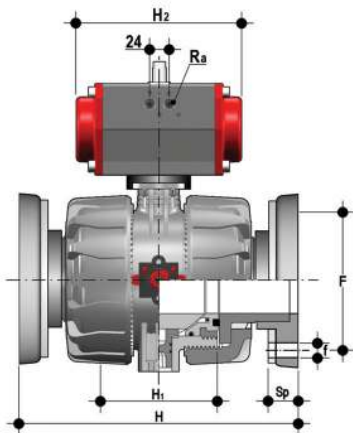
VKD/CP DN 65÷100 PP-H



VKDOM/CP NC

DUAL BLOCK® Ball Valve with fixed flanges, drilled EN/ISO/DIN PN 10/16, face to face dimensions as per EN 558-1 with pneumatic actuator, Normally Closed function

d	DN	PN	H	H ₁	F	f	U	Sp	H ₂	R _a	g	EPDM Code	FKM Code
75	65	10	290	133	145	17	4	24	210	G1/4"	7290	VKDOMNC075E	VKDOMNC075F
90	80	10	310	149	160	17	4	24.5	228	G1/4"	10705	VKDOMNC090E	VKDOMNC090F
110	100	10	350	167	180	17	4	24.5	280.5	G1/4"	15230	VKDOMNC110E	VKDOMNC110F



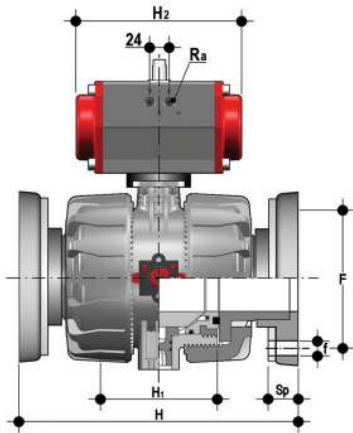
VKDOM/CP NO

DUAL BLOCK® Ball Valve with fixed flanges, drilled EN/ISO/DIN PN 10/16, face to face dimensions as per EN 558-1 with pneumatic actuator, Normally Open function

d	DN	PN	H	H ₁	F	f	U	Sp	H ₂	R _a	g	EPDM Code	FKM Code
75	65	10	290	133	145	17	4	24	210	G1/4"	7290	VKDOMNO075E	VKDOMNO075F
90	80	10	310	149	160	17	4	24.5	228	G1/4"	10705	VKDOMNO090E	VKDOMNO090F
110	100	10	350	167	180	17	4	24.5	280.5	G1/4"	15230	VKDOMNO110E	VKDOMNO110F

DIMENSIONS

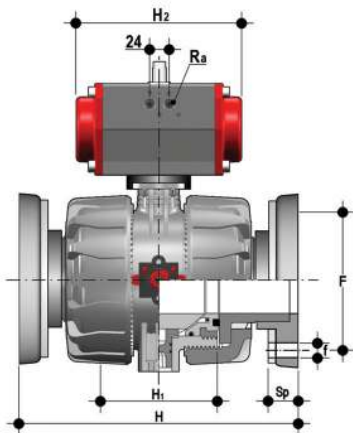
VKD/CP DN 65÷100 PP-H



VKDOAM/CP DA

DUAL BLOCK® ball valve with fixed flanges drilled ANSI B16.5 cl.150#FF with pneumatic actuator, Double-Acting function

d	DN	PN	H	H ₁	F	f	U	Sp	H ₂	R _a	g	EPDM Code	FKM Code
2"1/2	65	10	290	133	139.7	18	4	24	155	G1/4"	5520	VKDOMDA075E	VKDOMDA075F
3"	80	10	310	149	152.4	18	4	24.5	210	G1/4"	8775	VKDOMDA090E	VKDOMDA090F
4"	100	10	350	167	190.5	18	4	24.5	228	G1/4"	12610	VKDOMDA110E	VKDOMDA110F



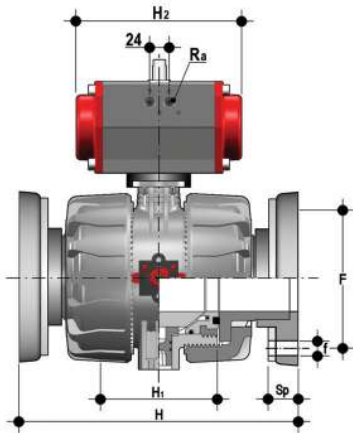
VKDOAM/CP NC

DUAL BLOCK® ball valve with fixed flanges drilled ANSI B16.5 cl.150#FF with pneumatic actuator, Normally Closed function

d	DN	PN	H	H ₁	F	f	U	Sp	H ₂	R _a	g	EPDM Code	FKM Code
2"1/2	65	10	290	133	139.7	18	4	24	210	G1/4"	7290	VKDOMNC075E	VKDOMNC075F
3"	80	10	310	149	152.4	18	4	24.5	228	G1/4"	10705	VKDOMNC090E	VKDOMNC090F
4"	100	10	350	167	190.5	18	4	24.5	280.5	G1/4"	15230	VKDOMNC110E	VKDOMNC110F

DIMENSIONS

VKD/CP DN 65÷100 PP-H



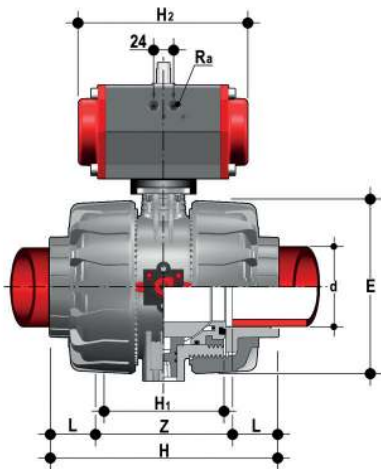
VKDOAM/CP NO

DUAL BLOCK® ball valve with fixed flanges drilled ANSI B16.5 cl.150#FF with pneumatic actuator, Normally Open function

d	DN	PN	H	H ₁	F	f	U	Sp	H ₂	R ₂	g	Code	Code
2"1/2	65	10	290	133	139.7	18	4	24	210	G1/4"	7290	VKDOMNO075E	VKDOMNO075F
3"	80	10	310	149	152.4	18	4	24.5	228	G1/4"	10705	VKDOMNO090E	VKDOMNO090F
4"	100	10	350	167	190.5	18	4	24.5	280.5	G1/4"	15230	VKDOMNO110E	VKDOMNO110F

DIMENSIONS

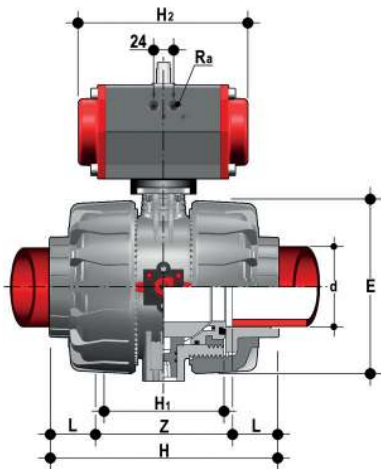
VKD/CP DN 65÷100 PVDF



VKDIF/CP DA

DUAL BLOCK® ball valve with female ends for socket welding, metric series with pneumatic actuator, Double-Acting function

d	DN	*PN	E	H	H ₁	L	Z	H ₂	R _a	g	FKM Code
75	65	10	164	213	133	33	147	155	G1/4"	6673	VKDIFDA075F
90	80	10	203	239	149	36	168	210	G1/4"	11910	VKDIFDA090F
110	100	10	238	268	167	41	186	228	G1/4"	18170	VKDIFDA110F



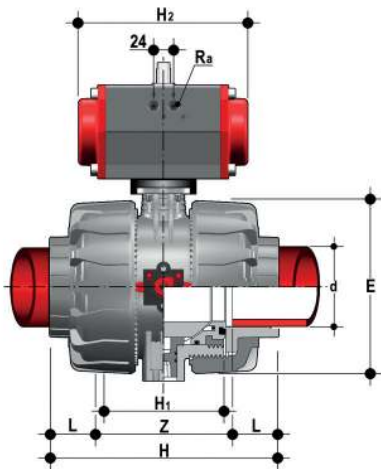
VKDIF/CP NC

DUAL BLOCK® ball valve with female ends for socket welding, metric series with pneumatic actuator, Normally Closed function

d	DN	*PN	E	H	H ₁	L	Z	H ₂	R _a	g	FKM Code
75	65	10	164	213	133	33	147	210	G1/4"	8443	VKDIFNC075F
90	80	10	203	239	149	36	168	228	G1/4"	13840	VKDIFNC090F
110	100	10	238	268	167	41	186	280.5	G1/4"	20790	VKDIFNC110F

DIMENSIONS

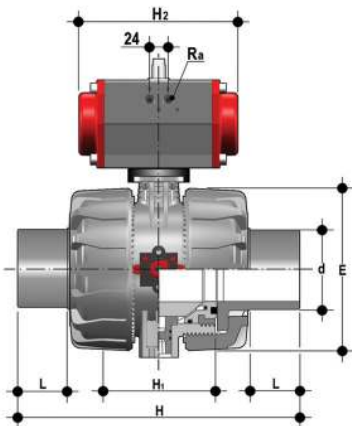
VKD/CP DN 65÷100 PVDF



VKDIF/CP NO

DUAL BLOCK® ball valve with female ends for socket welding, metric series with pneumatic actuator, Normally Open function

d	DN	*PN	E	H	H ₁	L	Z	H ₂	R _a	g	FKM Code
75	65	10	164	213	133	33	147	210	G1/4"	8443	VKDIFNO075F
90	80	10	203	239	149	36	168	228	G1/4"	13840	VKDIFNO090F
110	100	10	238	268	167	41	186	280.5	G1/4"	20790	VKDIFNO110F



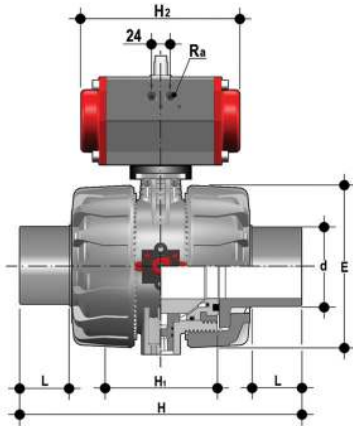
VKDDF/CP DA

DUAL BLOCK® ball valve with male ends for socket welding, metric series with pneumatic actuator, Double-Acting function

d	DN	PN	E	H	H ₁	L	H ₂	R _a	g	FKM Code
75	65	10	164	284	133	36.5	155	G1/4"	6673	VKDDFDA075F
90	80	10	203	300	149	37.5	210	G1/4"	11910	VKDDFDA090F
110	100	10	238	340	167	42.5	228	G1/4"	18170	VKDDFDA110F

DIMENSIONS

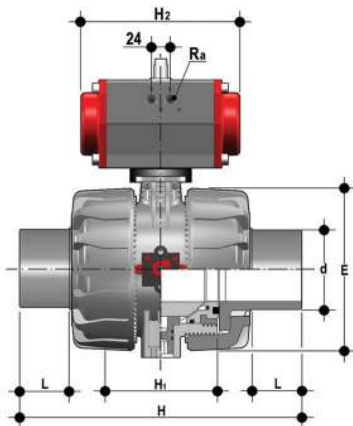
VKD/CP DN 65÷100 PVDF



VKDDF/CP NC

DUAL BLOCK® ball valve with male ends for socket welding, metric series with pneumatic actuator, Normally Closed function

d	DN	PN	E	H	H ₁	L	H ₂	R _a	g	FKM Code
75	65	10	164	284	133	36.5	210	G1/4"	8443	VKDDFNC075F
90	80	10	203	300	149	37.5	228	G1/4"	13840	VKDDFNC090F
110	100	10	238	340	167	42.5	280.5	G1/4"	20790	VKDDFNC110F



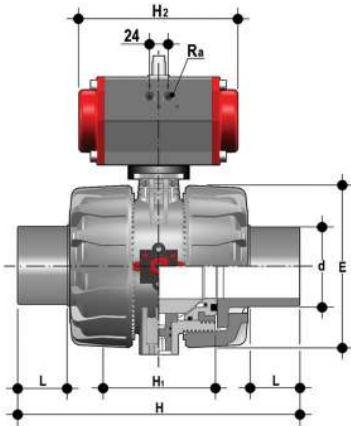
VKDDF/CP NO

DUAL BLOCK® ball valve with male ends for socket welding, metric series with pneumatic actuator, Normally Open function

d	DN	PN	E	H	H ₁	L	H ₂	R _a	g	FKM Code
75	65	10	164	284	133	36.5	210	G1/4"	8443	VKDDFNO075F
90	80	10	203	300	149	37.5	228	G1/4"	13840	VKDDFNO090F
110	100	10	238	340	167	42.5	280.5	G1/4"	20790	VKDDFNO110F

DIMENSIONS

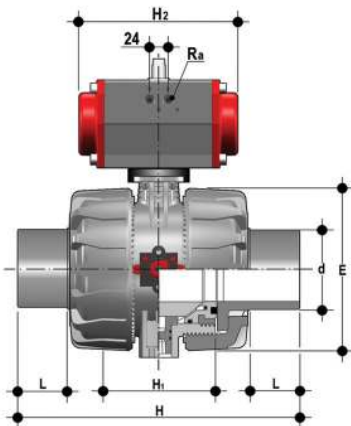
VKD/CP DN 65÷100 PVDF



VKDBF/CP DA

2 way DUAL BLOCK® ball valve with long spigot male ends in PVDF SDR21 for head welding/IR (CVDF) with pneumatic actuator, Double-Acting function

d	DN	PN	E	H	H ₁	L	H ₂	g	FKM Code
75	65	10	162	284	133	71	155	6673	VKDBFDA075F
90	80	10	202	300	149	88	210	11910	VKDBFDA090F
110	100	10	236	340	167	92	228	18170	VKDBFDA110F



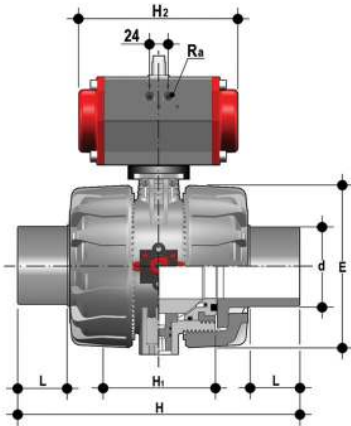
VKDBF/CP NC

2 way DUAL BLOCK® ball valve with long spigot male ends in PVDF SDR21 for head welding/IR (CVDF) with pneumatic actuator, Normally Closed function

d	DN	PN	E	H	H ₁	L	H ₂	g	FKM Code
75	65	10	162	284	133	71	210	8443	VKDBFNC075F
90	80	10	202	300	149	88	228	13840	VKDBFNC090F
110	100	10	236	340	167	92	280.5	20790	VKDBFNC110F

DIMENSIONS

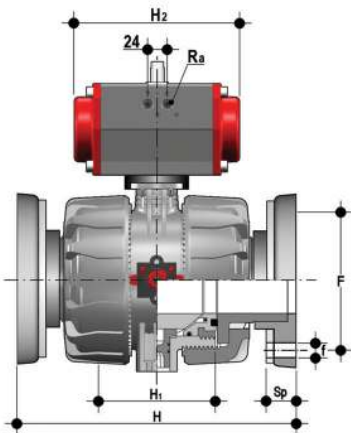
VKD/CP DN 65÷100 PVDF



VKDBF/CP NO

2 way DUAL BLOCK® ball valve with long spigot male ends in PVDF SDR21 for head welding/IR (CVDF) with pneumatic actuator, Normally Open function

d	DN	PN	E	H	H ₁	L	H ₂	g	FKM Code
75	65	10	162	284	133	71	210	8443	VKDBFNO075F
90	80	10	202	300	149	88	228	13840	VKDBFNO090F
110	100	10	236	340	167	92	280.5	20790	VKDBFNO110F



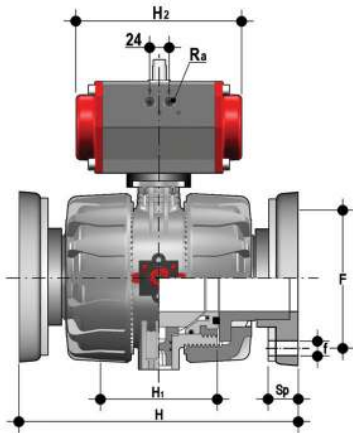
VKDOF/CP DA

DUAL BLOCK® Ball Valve with fixed flanges, drilled EN/ISO/DIN PN 10/16, face to face dimensions as per EN 558-1 with pneumatic actuator, Double-Acting function

d	DN	*PN	H	H ₁	F	f	U	Sp	H ₂	R _g	g	FKM Code
75	65	10	290	133	145	17	4	21	155	G1/4"	9608	VKDOFDA075F
90	80	10	310	149	160	17	4	21.5	210	G1/4"	14442	VKDOFDA090F
110	100	10	350	167	180	17	4	21.5	228	G1/4"	21469	VKDOFDA110F

DIMENSIONS

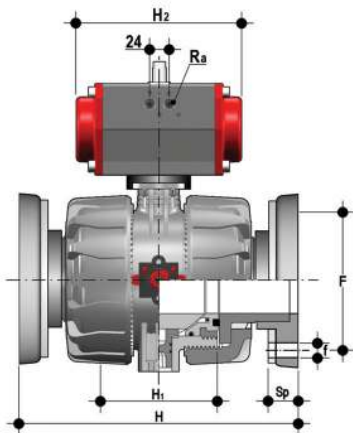
VKD/CP DN 65÷100 PVDF



VKDOF/CP NC

DUAL BLOCK® Ball Valve with fixed flanges, drilled EN/ISO/DIN PN 10/16, face to face dimensions as per EN 558-1 with pneumatic actuator, Normally Closed function

d	DN	*PN	H	H ₁	F	f	U	Sp	H ₂	R _a	g	FKM Code
75	65	10	290	133	145	17	4	21	210	G1/4"	11378	VKDOFNC075F
90	80	10	310	149	160	17	4	21.5	228	G1/4"	16372	VKDOFNC090F
110	100	10	350	167	180	17	4	21.5	280.5	G1/4"	24089	VKDOFNC110F



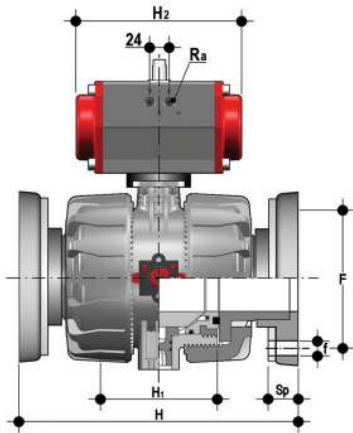
VKDOF/CP NO

DUAL BLOCK® Ball Valve with fixed flanges, drilled EN/ISO/DIN PN 10/16, face to face dimensions as per EN 558-1 with pneumatic actuator, Normally Open function

d	DN	*PN	H	H ₁	F	f	U	Sp	H ₂	R _a	g	FKM Code
75	65	10	290	133	145	17	4	21	210	G1/4"	11378	VKDOFNO075F
90	80	10	310	149	160	17	4	21.5	228	G1/4"	16372	VKDOFNO090F
110	100	10	350	167	180	17	4	21.5	280.5	G1/4"	24089	VKDOFNO110F

DIMENSIONS

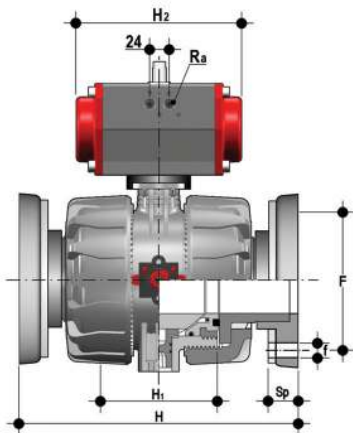
VKD/CP DN 65÷100 PVDF



VKDOAF/CP DA

DUAL BLOCK® ball valve with fixed flanges drilled ANSI B16.5 cl.150#FF with pneumatic actuator, Double-Acting function

d	DN	*PN	H	H ₁	F	f	U	Sp	H ₂	R _a	g	FKM Code
2"1/2	65	10	290	133	139.7	18	4	21	155	G1/4"	9608	VKDOFDA075F
3"	80	10	310	149	152.4	18	4	21.5	210	G1/4"	14442	VKDOFDA090F
4"	100	10	350	167	190.5	18	4	21.5	228	G1/4"	21469	VKDOFDA110F



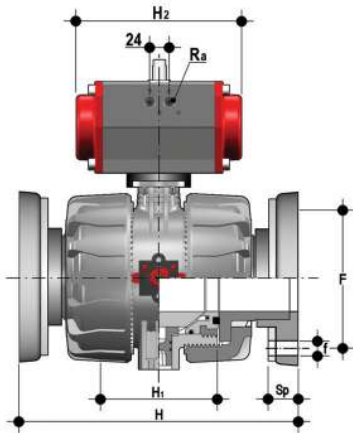
VKDOAF/CP NC

DUAL BLOCK® ball valve with fixed flanges drilled ANSI B16.5 cl.150#FF with pneumatic actuator, Normally Closed function

d	DN	*PN	H	H ₁	F	f	U	Sp	H ₂	R _a	g	FKM Code
2"1/2	65	10	290	133	139.7	18	4	21	210	G1/4"	11378	VKDOFNC075F
3"	80	10	310	149	152.4	18	4	21.5	228	G1/4"	16372	VKDOFNC090F
4"	100	10	350	167	190.5	18	4	21.5	280.5	G1/4"	24089	VKDOFNC110F

DIMENSIONS

VKD/CP DN 65÷100 PVDF



VKDOAF/CP NO

DUAL BLOCK® ball valve with fixed flanges drilled ANSI B16.5 cl.150#FF with pneumatic actuator, Normally Open function

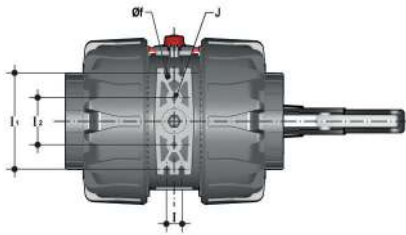
d	DN	*PN	H	H ₁	F	f	U	Sp	H ₂	R ₂	g	FKM Code
2"1/2	65	10	290	133	139.7	18	4	21	210	G1/4"	11378	VKDOFNO075F
3"	80	10	310	149	152.4	18	4	21.5	228	G1/4"	16372	VKDOFNO090F
4"	100	10	350	167	190.5	18	4	21.5	280.5	G1/4"	24089	VKDOFNO110F

FASTENING AND SUPPORTING

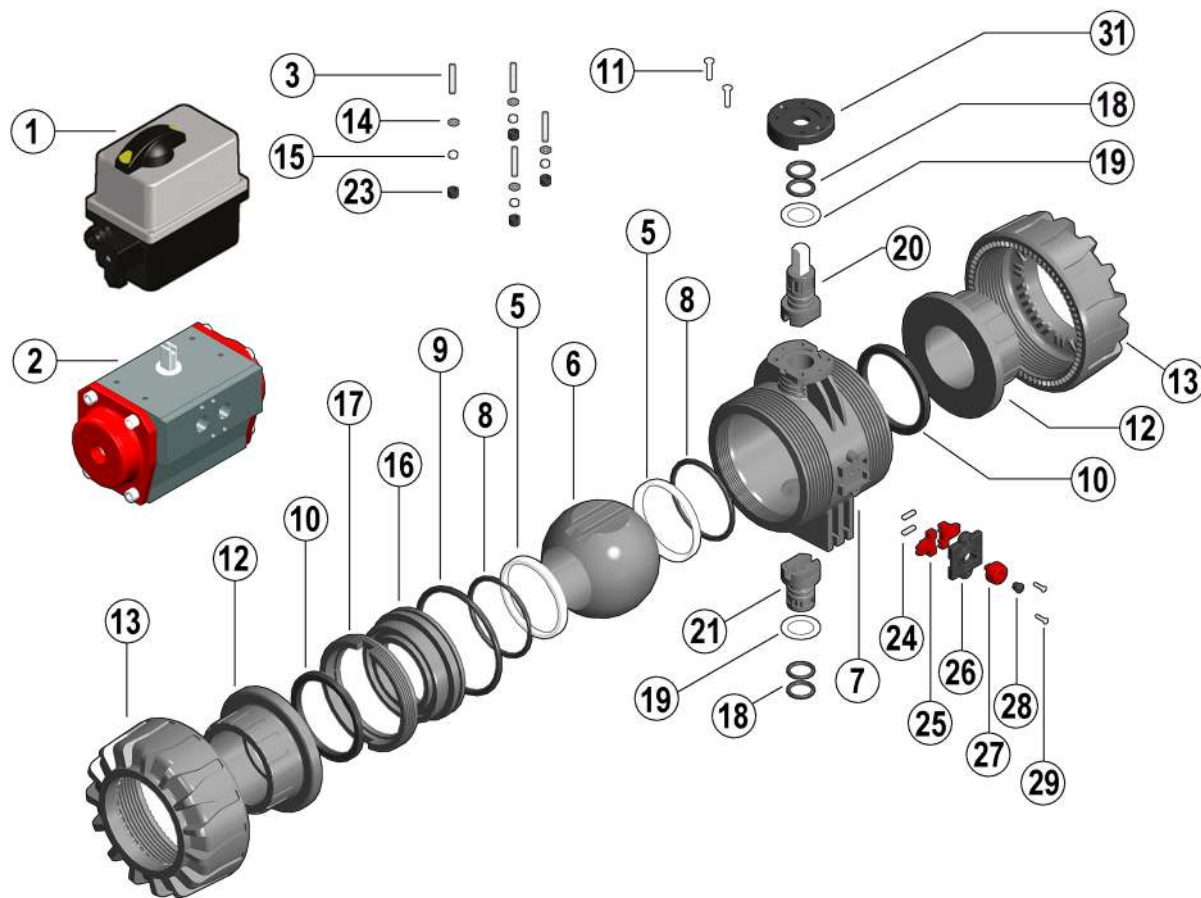


All valves, whether manual or actuated, must be adequately supported in many applications. The VKD valve series is therefore set to be provided with threaded brackets (optional) that permit direct anchoring of the valve body without the need of other components.

d	DN	J	f	l	l ₁	l ₂
75	65	M6	6.3	174	90	51.8
90	80	M6	8.4	21.2	112.6	63
110	100	M8	8.4	21.2	137	67



COMPONENTS



- | | | |
|--|---|--|
| 1 Electric actuator (PA6 - Nylon - 1) | 11 Screw (STAINLESS steel - 2) | 21 Lower Stem (PVC-U / PVC-C / PP-H / PVDF / Stainless steel - 1) |
| 2 Pneumatic actuator (Finished aluminium - 1) | 12 End connector (PVC-U / PVC-C / PP-H / PVDF - 2) | 23 Protection plug (PE - 4) |
| 3 Screw (Stainless steel - 4) | 13 Union nut (PVC-U / PVC-C / PP-H / PVDF - 2) | 24 Spring (stainless steel - 2) |
| 5 Gasket carrier (PTFE - 2)* | 14 Stop washer (Stainless steel - 4) | 25 Union nut lock (PP-GR - 2) |
| 6 Ball (PVC-U / PVC-C / PP-H / PVDF - 1) | 16 Ball seat carrier (PVC-U / PVC-C / PP-H / PVDF - 1) | 26 Bonnet (PP - 1) |
| 7 Body (PVC-U / PVC-C / PP-H / PVDF - 1) | 17 Stop ring (PVC-U / PVC-C / PP-H / PVDF - 1) | 27 Union nut lock knob (PP-GR - 1) |
| 8 Seal carrier O-Ring (EPDM-FKM - 2)* | 18 Stem seal (EPDM - FKM - 4)* | 28 Protection plug (PE - 1) |
| 9 Radial seal (EPDM - FKM - 1)* | 19 Anti-friction washer (PTFE - 2)* | 29 Screw (Nylon - 2) |
| 10 Special socket seal (EPDM-FKM - 2)* | 20 Upper stem (PVC-U / PVC-C / PP-H / PVDF - 1) | 31 Automation plate (PP-GR - 1) |

* Spare parts
The material the component is made of and the quantity supplied are shown in brackets

FASTENING AND SUPPORTING

DISASSEMBLY

- 1) Isolate the valve from the line (release the pressure and empty the pipeline).
- 2) Disconnect the actuator from the compressed air supply and/or power mains.
- 3) Release the union nuts by rotating the button (27) to the left, pointing the arrow on the open lock (fig. 1).
- 4) Unscrew the union nuts (13) and extract the body (7) (fig. 2).
- 5) Before dismantling, hold the valve in a vertical position and open it 45° to drain any liquid that might remain.
- 6) Open the valve.
- 7) Insert the two supplied wrench protrusions in the corresponding apertures on the stop ring (17), extracting it by rotating counter-clockwise with the ball seat carrier (16) (fig. 3).
- 8) Press on the ball (6), being careful not to scratch it, and remove it from the body.
- 9) Remove the protection plugs (23), bolts (3) with washers (14) and lift the valve actuator (1/2).
- 10) Press the upper stem (20) inwards and extract it from the body and remove the lower stem (21). Remove the anti-friction disks (19).
- 11) Remove the O-Ring (8, 9, 10, 18) and PTFE ball seats (5) extracting them from their grooves, as illustrated in the exploded view.

ASSEMBLY

- 1) All the O-rings (8, 9, 10, 18) must be inserted in their grooves as shown in the exploded view.
- 2) Place the anti-friction disks (19) on the stems (20-21) and insert the stems in their housings in the body.
- 3) Place the PTFE ball seats (5) in the housings in the body (7) and in the ball seat carrier (16).
- 4) Insert the ball (6) rotating it to the closed position.
- 5) Insert the carrier with threaded ring (16) into the body and tighten up in the clockwise direction using the supplied handle insert, to limit stop.
- 6) Position the plate (31) on the body and tighten screws (11).
- 7) Position the actuator (1/2) on the valve and tighten the bolts (3) with washers (14) and protection plugs (23).
- 8) Insert the valve between the end connectors (12) and tighten the union nuts (13) making sure that the socket seal O-rings (10) do not exit their seats.
- 9) Lock the union nuts by rotating the knob (27) to the right.
- 10) Reconnect the actuator to the pneumatic and/or power supplies.



All operations on equipment under pressure or containing compressed springs must be carried out under safe conditions for the operator.

Note: during mounting operations, it is advisable to lubricate the rubber seals. Mineral oils are not recommended for this task as they react aggressively with EPDM rubber.

The photos refer to the manual version and are purely exemplary.

Fig. 1



Fig. 2



Fig. 3



INSTALLATION

Before proceeding with installation, please follow these instructions carefully

- 1) Check that the pipes to be connected to the valve are aligned in order to avoid mechanical stress on the threaded joints.
- 2) Make sure the DUAL BLOCK® union nut locking device (27) is in the FREE position.
- 3) Unscrew the union nuts (13) and insert them on the pipe segments.
- 4) Solvent weld or screw the end connectors (12) onto the pipe ends.
- 5) Position the valve body between the end connectors and fully tighten the union nuts (13) clockwise with an appropriate wrench.
- 6) Lock the union nuts rotating the button (27) clockwise (see paragraph "union nut lock").
- 7) If necessary, support the pipework with FIP pipe clips or by means of the carrier built into the valve itself (see paragraph "fastening and supporting").

Adjust the ball seat carriers using the supplied tool (fig. 3). The seals can be adjusted later with the valve installed on the pipe by simply tightening the union nuts. This "micro adjustment", only possible with FIP valves thanks to the patented "Seat stop system", allows the seal to be recovered where PTFE ball seats are worn due to a high number of manoeuvres.

UNION NUT LOCK

Rotate the knob to the left, pointing the arrow on the open lock to unlock DUAL BLOCK®: the valve union nuts are free to rotate clockwise and counter-clockwise. Rotate the knob to the right, pointing the arrow on the closed lock to lock DUAL BLOCK®: the valve union nuts are blocked in the desired position.

WARNINGS

- If volatile liquid such as Hydrogen Peroxide (H₂O₂) or Sodium Hypochlorite (NaClO) is used, for safety reasons we recommend you contact the service centre. These liquids, upon vaporising, could create hazardous over pressures in the area between the body and ball.
- Always avoid sudden closing manoeuvres that can generate water hammer. For this reason, we recommend you equip pneumatic actuators with air speed reducers.

