



VKD/CE - VKD/CP DN 10÷50

PVC-U/PVC-C/PP-H/PVDF

ELECTRICALLY OR PNEUMATICALLY ACTUATED
TWO-WAY DUAL BLOCK® BALL VALVE



VKD/CE – VKD/CP DN 10÷50

FIP has developed a VKD DUAL BLOCK® ball valve to introduce a high reference standard in thermoplastic valve design. VKD is a True Union ball valve that meets the most stringent needs required by industrial applications.



ELECTRICALLY OR PNEUMATICALLY ACTUATED TWO-WAY DUAL BLOCK® BALL VALVE

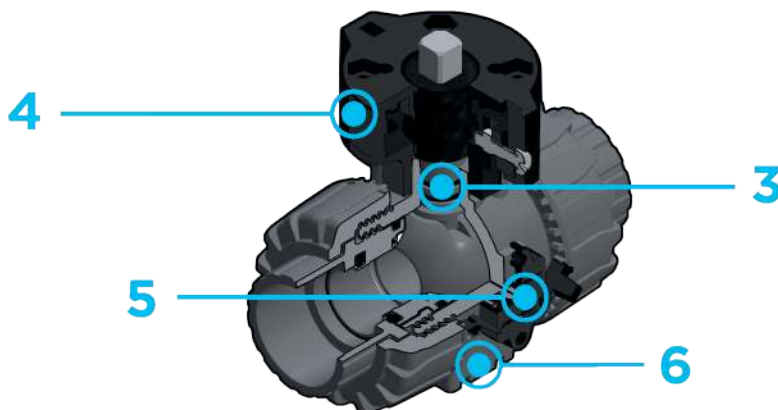
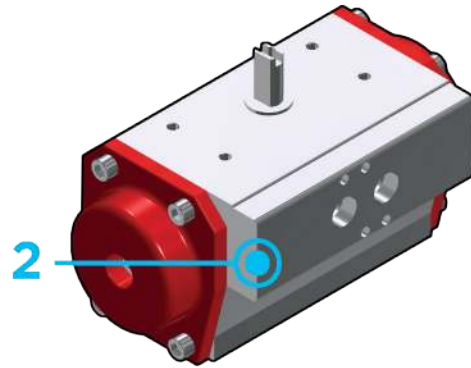
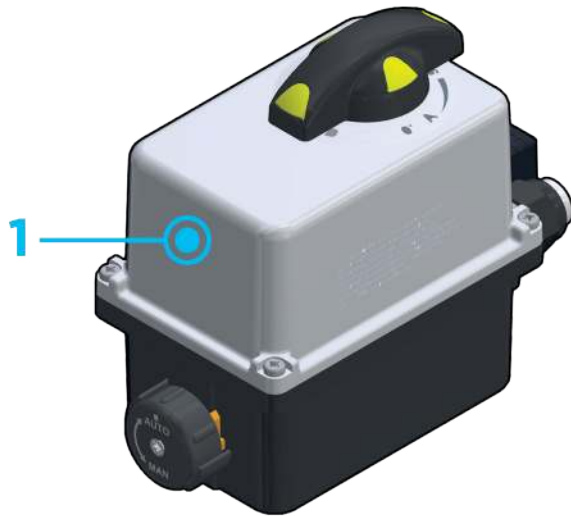
- Joint system for solvent welding (PVC-U and PVC-C only), for welding (PP-H and PVDF only), for threading and flanging
- Patented **SEAT STOP®** ball carrier system that lets you micro-adjust ball seats and minimise the axial force effect.
- Easy radial disassembly allowing quick replacement of O-rings and ball seats without any need for tools
- Radial dismounting valve body (True Union) made for PVC-U, PVC-C and PP-H injection moulding equipped with built-in bores for actuation. ISO 9393 compliant test requisites
- Option of disassembling downstream pipes with the valve in the closed position
- Floating **full bore ball** with high surface finish
- **Integrated bracket** for valve anchoring
- Ball seat carriers can be adjusted using the **Easytorque adjustment kit**

Technical specifications – VKD	
Construction	2-way True Union ball valve with locked carrier and union nuts
Size range	DN 10 ÷ 50
Nominal pressure	PVC-U: PN 16 with water at 20° C PVC-C: PN16 with water at 20° C PP-H: PN10 with water at 20° C PVDF: PN16 with water at 20° C
Temperature range	PVC-U: 0 °C ÷ 60 °C PVC-C: 0° C ÷ 100° C PP-H: 0° C ÷ 100° C PVDF: -40° C ÷ 140° C
PVC-U coupling standards	Solvent welding: EN ISO 1452, EN ISO 15493, BS 4346-1, DIN 8063, NF T54-028, ASTM D 2467, JIS K 6743. Can be coupled to pipes according to EN ISO 1452, EN ISO 15493, DIN 8062, NF T54-016, ASTM D 1785, JIS K 6741. Thread: ISO 228-1, DIN 2999, ASTM D 2464, JIS B 0203. Flanging system: ISO 7005-1, EN ISO 1452, EN ISO 15493, EN 558-1, DIN 2501, ANSI B.16.5 cl. 150, JIS B 2220.
PVC-C coupling standards	Solvent welding: EN ISO 15493, ASTM F 439. Can be coupled to pipes according to EN ISO 15493, ASTM F 441 Thread: ISO 228-1, DIN 2999, ASTM F 437 Flanging system: ISO 7005-1, EN ISO 15493, EN 558-1, DIN 2501, ANSI B.16.5 cl. 150, JIS B 2220.
PP-H coupling standards	Welding: EN ISO 15494 Can be coupled to pipes according to EN ISO 15494 Thread: ISO 228-1, DIN 2999 Flanging system: ISO 7005-1, EN 1092-1, EN ISO 15494, EN 558-1, DIN 2501, ANSI B.16.5 cl. 150
PVDF coupling standards	Welding: EN ISO 10931 Can be coupled to pipes according to EN ISO 10931 Flanging system: ISO 7005-1, EN ISO 10931, EN 558-1, DIN 2501, ANSI B.16.5 cl. 150
Reference standards	PVC-U construction criteria: EN ISO 16135, EN ISO 1452, EN ISO 15493 PVC-C construction criteria: EN ISO 16135, EN ISO 15493 PP-H construction criteria: EN ISO 16135, EN ISO 15494 PVDF construction criteria: EN ISO 16135, EN ISO 10931 Test methods and requirements: ISO 9393 PVC-U/PVC-C installation criteria: DVS 2204, DVS 2221, UNI 11242 PP-H installation criteria: DVS 2202-1, DVS 2207-11, DVS 2208-1, UNI 11318 PVDF installation criteria: DVS 2202-1, DVS 2207-15, DVS 2208-1 Actuator couplings: ISO 5211
Valve material	PVC-U / PVC-C / PP-H / PVDF
Seal material	EPDM, FKM (standard size O-Rings); PTFE (ball seats)
Control options	Electric actuator; pneumatic actuator

In addition to the manually actuated version, VKD is also available in VKD/CE electrically actuated and VKD/CP pneumatically actuated configurations. Actuators are firmly connected to the valve by the special FIP Power Quick modules fully made of PP-GR technopolymer. VKD/CE and VKD/CP are constructed with actuators meeting current regulations and selected by FIP according to their quality and reliability requirements. The efficiency of these valves, tested according to the company's quality standards, is guaranteed by the expertise and know-how that FIP dedicates to manufacturing its products.

Technical specifications - Electric actuator	
Reference standards	<p>Construction criteria: Electromagnetic compatibility EMC 2004/108/CE. Low voltage directive 2006/95/CE. Machinery directive 2006/42/CE. R.O.H.S. directive 2011/65/CE</p> <p>Coupling for valves: ISO 5211; DIN 3337</p>
Actuator material	<p>Plastic parts: PA6,6 FV 30% and Nylon. Metallic parts: 304L stainless steel or steel + tin-plating</p>
Supply Voltage	12V DC* - 24V AC/DC - 90-240V AC - 400V three phase* *voltages available upon request
Temperature range	From -10 °C to +55 °C
Standard equipment	<ul style="list-style-type: none"> • Manual safety override • Visual position indicator • Two auxiliary limit switches (5A) adjustable FC1, FC2 • Torque limiter (12V DC) • Anti-condensation heating element (12V DC)
Accessories	<ul style="list-style-type: none"> • Positioner board 4-20 mA or 0-10V DC • Fail Safe unit • Anti-condensation heating element • Feedback potentiometer 100 - 1000 - 5000 - 10000 Ohm • 4-20 mA position transmitter • Additional pair of auxiliary limit switches
Special versions upon request	<ul style="list-style-type: none"> • CEI34 50% service • Protection class IP68 or ATEX II 2 GD EEx d IIB T6 • Different operating times
Electrical connection	<ul style="list-style-type: none"> • Power supply: DIN 43650 connector 3P + GND • Limit switch: Cable gland ISO M20

Technical specifications - Pneumatic actuator	
Reference standards	<p>Construction criteria: Machinery directive 2006/42/CE R.O.H.S. directive 2011/65/CE EN 15714-3</p> <p>Coupling for valves: ISO 5211, DIN 3337</p> <p>Compressed air connections: NAMUR VDI\VDE-3845</p> <p>Top connections for accessories: NAMUR VDI\VDE-3845</p>
Actuator material	<p>Body: hard coat anodised extruded aluminium. IP67 Cover: polyester powder painted aluminium alloy Pinion: nickel-plated carbon steel Other materials available upon request</p>
Control air pressure	From 5 to 8 bar. Pmax= 10 bar Reduced control pressure executions available upon request
Power supply	Dry or lubricated filtered compressed air. If using other fluids, contact the FIP service centre
Temperature range	From -20 °C to +80 °C
Accessories	<ul style="list-style-type: none"> • Optical position indicator • LSQT electromechanical and PNP inductive limit switch boxes (Namur upon request) • Electric-pneumatic positioner 4-20 mA • 3-5/2 way pilot solenoid valves
Available options	Body and cover with PTFE coating, AISI 316 or AISI 316 mirror-polished, 304 or 316 stainless steel pinion



1 Electric actuator constructed according to FIP specifications; with plastic shell and standard emergency override. Available with voltages from 12 to 240V.

2 Rack & pinion type pneumatic actuator constructed according to FIP specifications: fully protected against weather corrosion available in double-acting (DA) or simple-acting normally closed (NC) or normally open (NO) versions.

3 High surface finish stem with double O-Ring. The double connection key system guarantees solid and reliable actuator torque transmission to the ball.

4 Easy to install **PowerQuick** module for pneumatic or electric actuator fully made of highly robust technopolymer.

5 **DUAL BLOCK**[®] patented lock system that ensures union nut tightening hold even in severe conditions such as vibrations or heat dilation.

6 Anchor base built into the valve body with threaded stainless steel inserts to firmly anchor the valve to the carrier.

TECHNICAL DATA

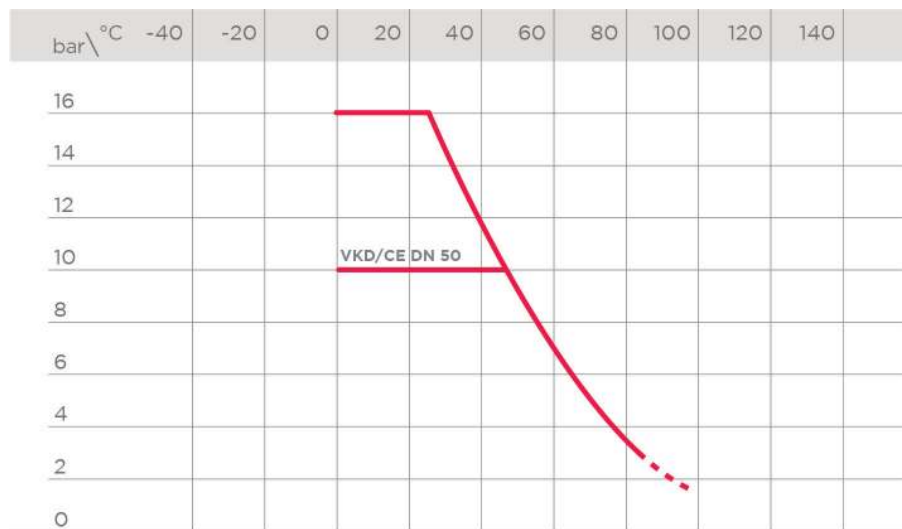
PRESSURE VARIATION ACCORDING TO TEMPERATURE

PVC-U BODY

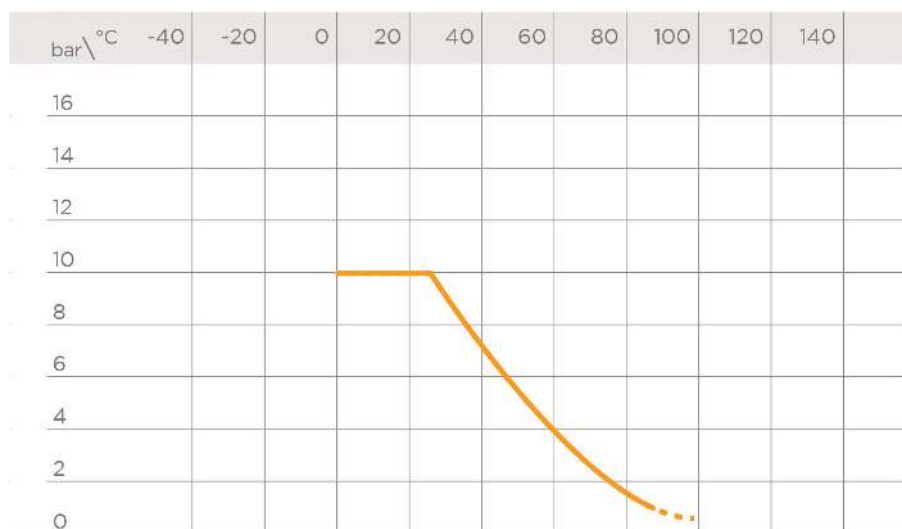
For water and non-hazardous fluids with regard to which the material is classified as CHEMICALLY RESISTANT. In other cases, a reduction of the nominal pressure PN is required (25 years with safety factor).



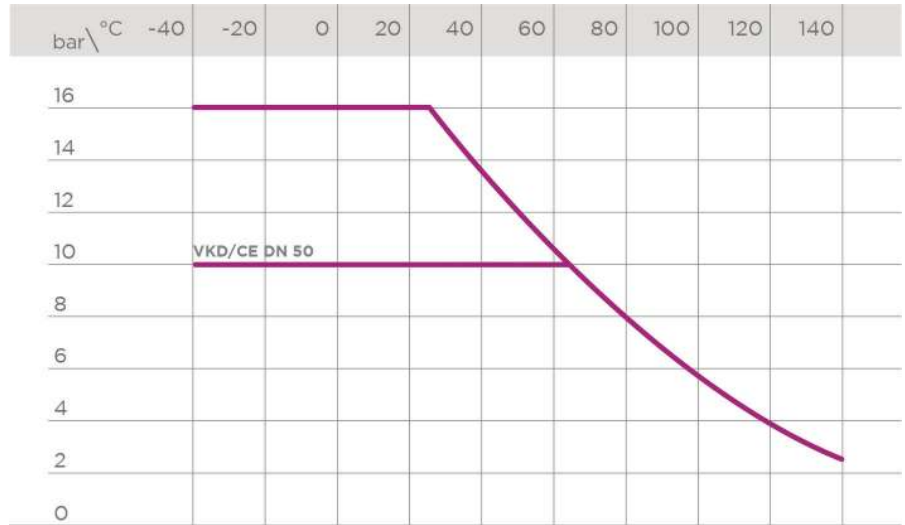
PVC-C BODY



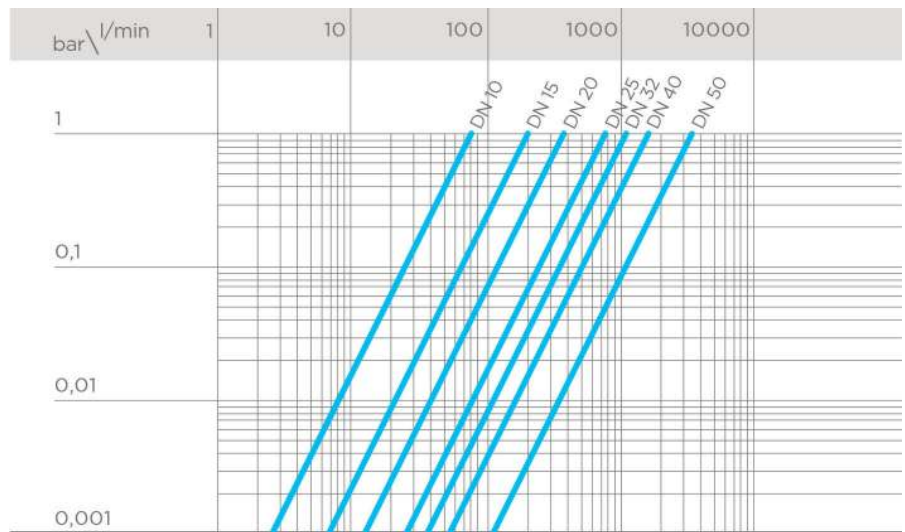
PP-H BODY



PVDF BODY



PRESSURE DROP GRAPH



K_v100 FLOW COEFFICIENT

The K_v100 flow coefficient is the Q flow of litres per minute of water at a temperature of 20°C that will generate Δp= 1 bar pressure drop at a certain valve position.

The K_v100 values shown in the table are calculated with the valve completely open.

DN	10	15	20	25	32	40	50
Kv100 l/min	80	200	385	770	1100	1750	3400

ELECTRIC ACTUATOR DATA

FUNCTIONAL CHARACTERISTICS

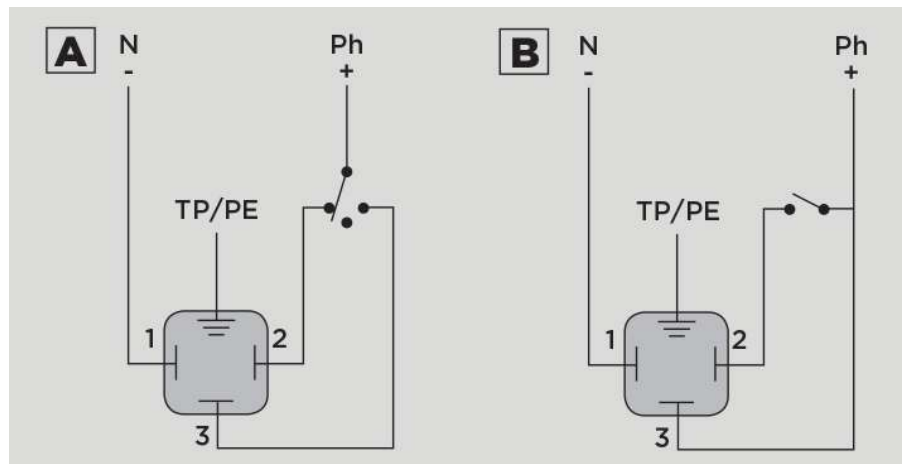
Characteristics	DC	AC/DC	AC
Power supply	*12V	24V	90±240V
Power	15W	15W	15W
Max operating time	11 s	12 s	13 s
IEC34 service	50%	30%	30%
Protection class	IP66	IP65	IP65
Frequency	-	50/60 Hz	50/60 Hz

*Upon request

POWER CONNECTION DIAGRAM

- 1 Shared
- 2 Open
- 3 Closed

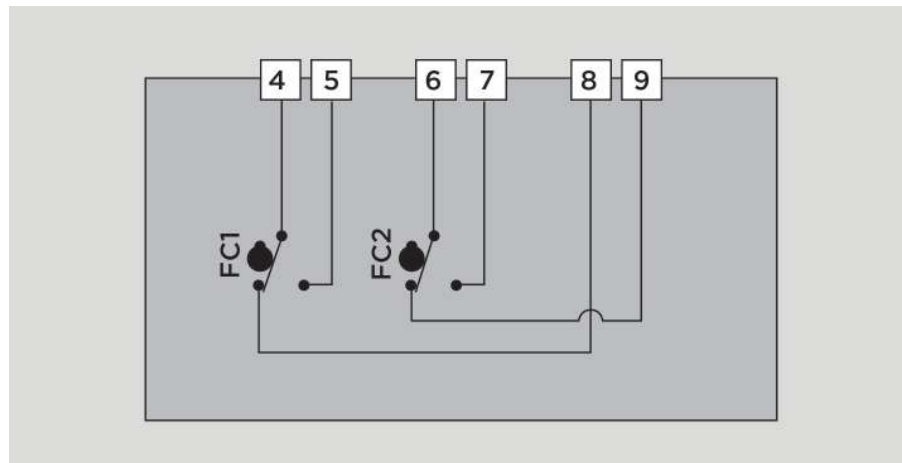
- A 3-point connection
- B ON/OFF connection



AUXILIARY LIMIT SWITCH CONNECTION DIAGRAM

- FC1 Open auxiliary limit switch
- FC2 Close auxiliary limit switch

- 4 Shared FC1
- 5 Open FC1
- 6 Shared FC2
- 7 Open FC2
- 8 Close FC1
- 9 Close FC2



PNEUMATIC ACTUATOR DATA

FUNCTIONAL CHARACTERISTICS

Function type	double-acting	Normally closed (NC)	Normally Open (NO)
Valve opening	air	air	spring
Valve closing	air	spring	air

ACTUATOR CAPACITY

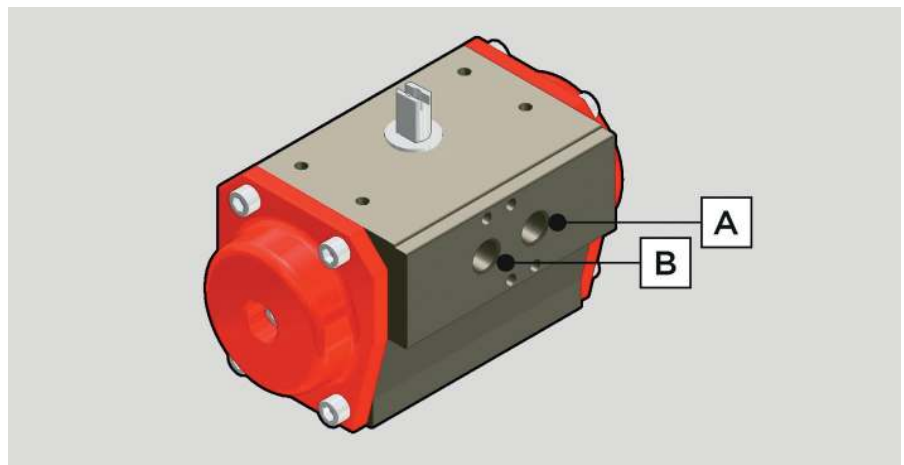
L: litre, equivalent to 10^{-3} m^3

Air consumption in normal litres (or normal cubic metres) per operating cycle can be calculated by correcting according to operating conditions such as control air pressure.

DN	10 ÷ 15	20 ÷ 25	32 ÷ 50
DA	0.18 L	0.23 L	0.45 L
SA (NC-NO)	0.072 L	0.092 L	0.18 L

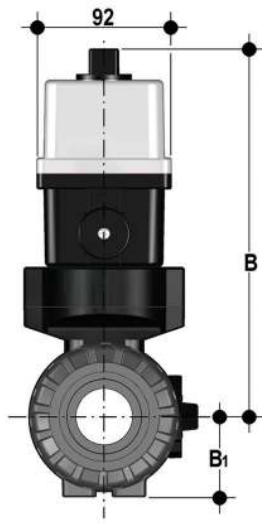
COMPRESSED AIR CONNECTIONS

Function type	Double-acting (DA)	Normally closed (NC)	Normally Open (NO)
Valve opening	Inlet A	Inlet A	-
Valve closing	Inlet B	-	Inlet A



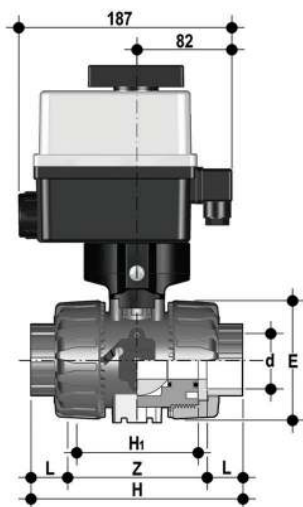
DIMENSIONS

VKD/CE DN 10÷50 PVC-U



Dimensions common to all versions

DN	B	B ₁
10	205	29
15	205	29
20	216	34.5
25	221	39
32	238	46
40	244	52
50	261	62



VKDIV/CE 90-240 V AC

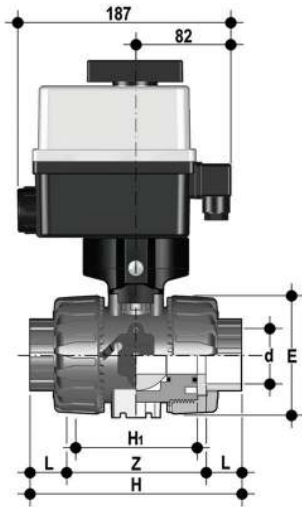
DUAL BLOCK® ball valve with female ends for solvent welding, metric series with multi-volt electric actuator 90-240 V AC 50-60 Hz

d	DN	PN	E	H	H ₁	L	Z	g	EPDM Code	FKM Code
16	10	16	54	103	65	14	75	1785	VKDIVEM016E	VKDIVEM016F
20	15	16	54	103	65	16	71	1775	VKDIVEM020E	VKDIVEM020F
25	20	16	65	115	70	19	77	1903	VKDIVEM025E	VKDIVEM025F
32	25	16	73	128	78	22	84	2011	VKDIVEM032E	VKDIVEM032F
40	32	16	86	146	88	26	94	2369	VKDIVEM040E	VKDIVEM040F
50	40	16	98	164	93	31	102	2601	VKDIVEM050E	VKDIVEM050F
63	50	*10	122	199	111	38	123	3218	VKDIVEM063E	VKDIVEM063F

*PN16 upon request

DIMENSIONS

VKD/CE DN 10÷50 PVC-U

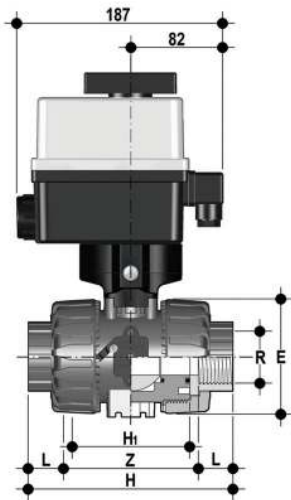


VKDIV/CE 24 V AC/DC

DUAL BLOCK® ball valve with female ends for solvent welding, metric series with electric actuator 24 V AC/DC

d	DN	PN	E	H	H ₁	L	Z	g	EPDM Code	FKM Code
16	10	16	54	103	65	14	75	1785	VKDIVEL016E	VKDIVEL016F
20	15	16	54	103	65	16	71	1775	VKDIVEL020E	VKDIVEL020F
25	20	16	65	115	70	19	77	1903	VKDIVEL025E	VKDIVEL025F
32	25	16	73	128	78	22	84	2011	VKDIVEL032E	VKDIVEL032F
40	32	16	86	146	88	26	94	2369	VKDIVEL040E	VKDIVEL040F
50	40	16	98	164	93	31	102	2601	VKDIVEL050E	VKDIVEL050F
63	50	*10	122	199	111	38	123	3218	VKDIVEL063E	VKDIVEL063F

*PN16 upon request



VKDFV/CE 90-240 V AC

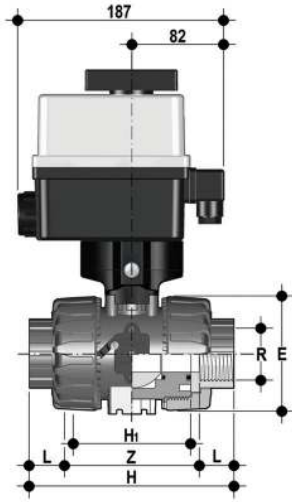
DUAL BLOCK® ball valve with female ends, gas cylinder thread with multi-volt electric actuator 90-240 V AC 50-60 Hz

R	DN	PN	E	H	H ₁	L	Z	g	EPDM Code	FKM Code
3/8"	10	16	54	103	65	12	80	1785	VKDFVEM038E	VKDFVEM038F
1/2"	15	16	54	110	65	15	80	1775	VKDFVEM012E	VKDFVEM012F
3/4"	20	16	65	116	70	16	83	1903	VKDFVEM034E	VKDFVEM034F
1"	25	16	73	134	78	19	96	2011	VKDFVEM100E	VKDFVEM100F
1" 1/4	32	16	86	153	88	21	110	2369	VKDFVEM114E	VKDFVEM114F
1" 1/2	40	16	98	156	93	21	113	2601	VKDFVEM112E	VKDFVEM112F
2"	50	*10	122	186	111	26	135	3218	VKDFVEM200E	VKDFVEM200F

*PN16 upon request

DIMENSIONS

VKD/CE DN 10÷50 PVC-U

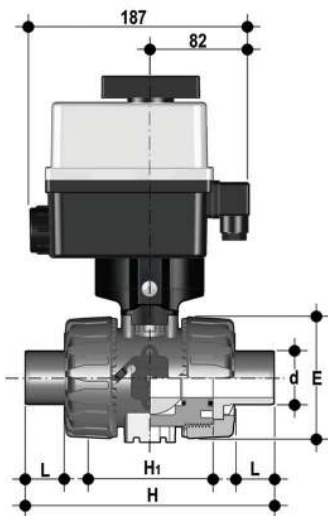


VKDFV/CE 24 V AC/DC

DUAL BLOCK® ball valve with female ends, gas cylinder thread with electric actuator 24 V AC/DC

R	DN	PN	E	H	H ₁	L	Z	g	EPDM Code	FKM Code
3/8"	10	16	54	103	65	12	80	1785	VKDFVEL038E	VKDFVEL038F
1/2"	15	16	54	110	65	15	80	1775	VKDFVEL012E	VKDFVEL012F
3/4"	20	16	65	116	70	16	83	1903	VKDFVEL034E	VKDFVEL034F
1"	25	16	73	134	78	19	96	2011	VKDFVEL100E	VKDFVEL100F
1" 1/4	32	16	86	153	88	21	110	2369	VKDFVEL114E	VKDFVEL114F
1" 1/2	40	16	98	156	93	21	113	2601	VKDFVEL112E	VKDFVEL112F
2"	50	*10	122	186	111	26	135	3218	VKDFVEL200E	VKDFVEL200F

*PN16 upon request



VKDDV/CE 90-240 V AC

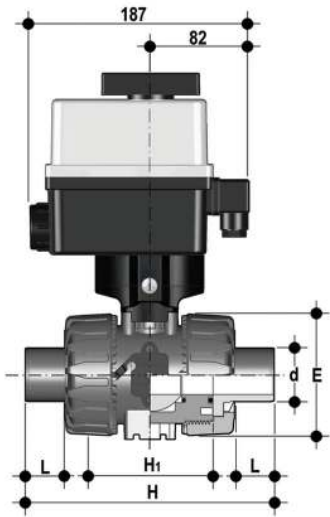
DUAL BLOCK® ball valve with male ends for solvent welding, metric series with multi-volt electric actuator 90-240 V AC 50-60 Hz

d	DN	PN	E	H	H ₁	L	g	EPDM Code	FKM Code
16	10	16	54	149	65	14	1785	VKDDVEM016E	VKDDVEM016F
20	15	16	54	124	65	16	1775	VKDDVEM020E	VKDDVEM020F
25	20	16	65	144	70	19	1903	VKDDVEM025E	VKDDVEM025F
32	25	16	73	154	78	22	2011	VKDDVEM032E	VKDDVEM032F
40	32	16	86	174	88	26	2369	VKDDVEM040E	VKDDVEM040F
50	40	16	98	194	93	31	2601	VKDDVEM050E	VKDDVEM050F
63	50	*10	122	224	111	38	3218	VKDDVEM063E	VKDDVEM063F

*PN16 upon request

DIMENSIONS

VKD/CE DN 10÷50 PVC-U

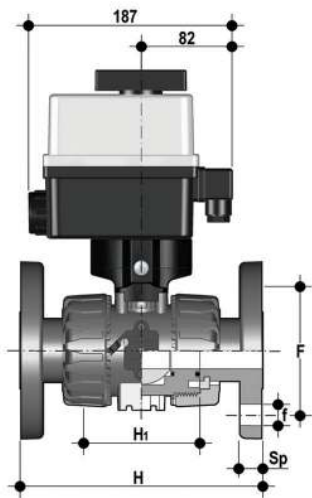


VKDDV/CE 24 V AC/DC

DUAL BLOCK® ball valve with male ends for solvent welding, metric series with electric actuator 24 V AC/DC

d	DN	PN	E	H	H _i	L	g	EPDM Code	FKM Code
16	10	16	54	149	65	14	1785	VKDDVEL016E	VKDDVEL016F
20	15	16	54	124	65	16	1775	VKDDVEL020E	VKDDVEL020F
25	20	16	65	144	70	19	1903	VKDDVEL025E	VKDDVEL025F
32	25	16	73	154	78	22	2011	VKDDVEL032E	VKDDVEL032F
40	32	16	86	174	88	26	2369	VKDDVEL040E	VKDDVEL040F
50	40	16	98	194	93	31	2601	VKDDVEL050E	VKDDVEL050F
63	50	*10	122	224	111	38	3218	VKDDVEL063E	VKDDVEL063F

*PN16 upon request



VKDOV/CE 90-240 V AC

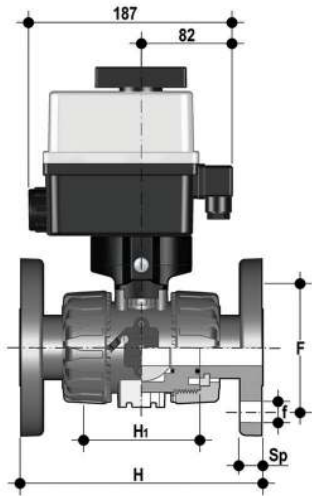
DUAL BLOCK® Ball Valve with fixed flanges EN/ISO/DIN PN 10/16, face to face dimensions as per EN 558-1 with multi-volt electric actuator 90-240 V AC 50-60 Hz

d	DN	PN	H	H _i	F	f	U	Sp	g	EPDM Code	FKM Code
20	15	16	130	65	65	14	4	11	1775	VKDOVEM020E	VKDOVEM020F
25	20	16	150	70	75	14	4	14	1903	VKDOVEM025E	VKDOVEM025F
32	25	16	160	78	85	14	4	14	2011	VKDOVEM032E	VKDOVEM032F
40	32	16	180	88	100	18	4	14	2369	VKDOVEM040E	VKDOVEM040F
50	40	16	200	93	110	18	4	16	2601	VKDOVEM050E	VKDOVEM050F
63	50	*10	230	111	125	18	4	16	3218	VKDOVEM063E	VKDOVEM063F

*PN16 upon request

DIMENSIONS

VKD/CE DN 10÷50 PVC-U

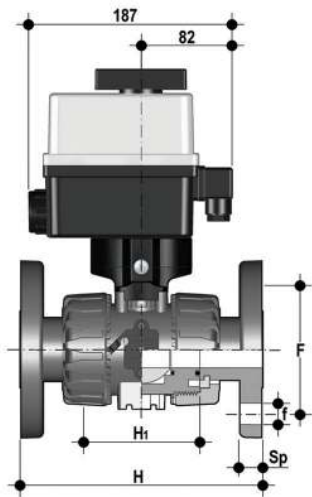


VKDOV/CE 24 V AC/DC

DUAL BLOCK® Ball Valve with fixed flanges EN/ISO/DIN PN 10/16, face to face dimensions as per EN 558-1 with electric actuator 24 V AC/DC

d	DN	PN	H	H ₁	F	f	U	Sp	g	EPDM Code	FKM Code
20	15	16	130	65	65	14	4	11	1775	VKDOVEL020E	VKDOVEL020F
25	20	16	150	70	75	14	4	14	1903	VKDOVEL025E	VKDOVEL025F
32	25	16	160	78	85	14	4	14	2011	VKDOVEL032E	VKDOVEL032F
40	32	16	180	88	100	18	4	14	2369	VKDOVEL040E	VKDOVEL040F
50	40	16	200	93	110	18	4	16	2601	VKDOVEL050E	VKDOVEL050F
63	50	*10	230	111	125	18	4	16	3218	VKDOVEL063E	VKDOVEL063F

*PN16 upon request



VKDOAV/CE 90-240 V AC

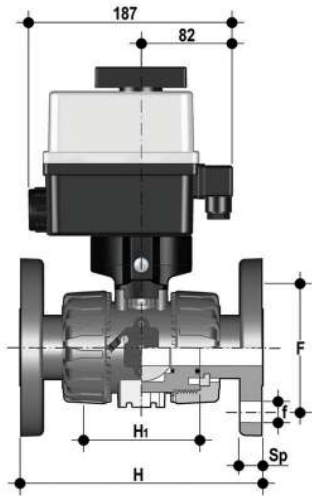
DUAL BLOCK® ball valve with fixed flanges, drilled ANSI B16.5 cl.150#FF with multi-volt electric actuator 90-240 V AC 50-60 Hz

d	DN	PN	H	H ₁	F	f	U	Sp	g	EPDM Code	FKM Code
1/2"	15	16	143	65	60.3	15.9	4	11	1775	VKDOAVEM012E	VKDOAVEM012F
3/4"	20	16	172	70	69.9	15.9	4	14	1903	VKDOAVEM034E	VKDOAVEM034F
1"	25	16	187	78	79.4	15.9	4	14	2011	VKDOAVEM100E	VKDOAVEM100F
1" 1/4	32	16	190	88	88.9	15.9	4	14	2369	VKDOAVEM114E	VKDOAVEM114F
1" 1/2	40	16	212	93	98.4	15.9	4	16	2601	VKDOAVEM112E	VKDOAVEM112F
2"	50	*10	234	111	120.7	19.1	4	16	3218	VKDOAVEM200E	VKDOAVEM200F

*PN16 upon request

DIMENSIONS

VKD/CE DN 10÷50 PVC-U

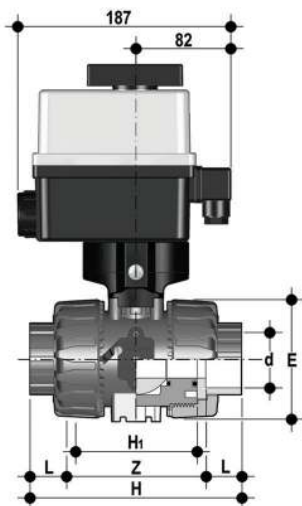


VKDOAV/CE 24 V AC/DC

DUAL BLOCK® ball valve with fixed flanges drilled ANSI B16.5 cl.150#FF with electric actuator 24 V AC/DC

d	DN	PN	H	H ₁	F	f	U	Sp	g	EPDM Code	FKM Code
1/2"	15	16	143	65	60.3	15.9	4	11	1775	VKDOAVEL012E	VKDOAVEL012F
3/4"	20	16	172	70	69.9	15.9	4	14	1903	VKDOAVEL034E	VKDOAVEL034F
1"	25	16	187	78	79.4	15.9	4	14	2011	VKDOAVEL100E	VKDOAVEL100F
1" 1/4	32	16	190	88	88.9	15.9	4	14	2369	VKDOAVEL114E	VKDOAVEL114F
1" 1/2	40	16	212	93	98.4	15.9	4	16	2601	VKDOAVEL112E	VKDOAVEL112F
2"	50	*10	234	111	120.7	19.1	4	16	3218	VKDOAVEL200E	VKDOAVEL200F

*PN16 upon request



VKDLV/CE 90-240 V AC

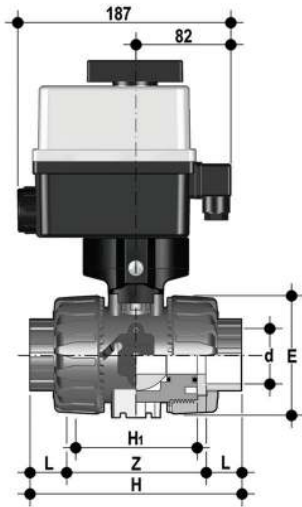
Two way DUAL BLOCK® ball valve with female ends for solvent welding, BS series with multi-volt electric actuator 90-240 V AC 50-60 Hz

d	DN	PN	E	H	H ₁	L	Z	g	EPDM Code	FKM Code
3/8"	10	16	54	103	65	14.5	74	1785	VKDLVEM038E	VKDLVEM038F
1/2"	15	16	54	103	65	16.5	70	1775	VKDLVEM012E	VKDLVEM012F
3/4"	20	16	65	115	70	19	77	1903	VKDLVEM034E	VKDLVEM034F
1"	25	16	73	128	78	22.5	83	2011	VKDLVEM100E	VKDLVEM100F
1" 1/4	32	16	86	146	88	26	94	2369	VKDLVEM114E	VKDLVEM114F
1" 1/2	40	16	98	164	93	30	104	2601	VKDLVEM112E	VKDLVEM112F
2"	50	*10	122	199	111	36	127	3218	VKDLVEM200E	VKDLVEM200F

*PN16 upon request

DIMENSIONS

VKD/CE DN 10÷50 PVC-U

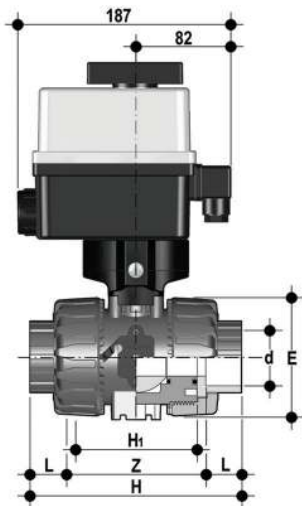


VKDLV/CE 24 V AC/DC

Two way DUAL BLOCK® ball valve with female ends for solvent welding, BS series with electric actuator 24 V AC/DC

d	DN	PN	E	H	H ₁	L	Z	g	EPDM Code	FKM Code
3/8"	10	16	54	103	65	14.5	74	1785	VKDLVEL038E	VKDLVEL038F
1/2"	15	16	54	103	65	16.5	70	1775	VKDLVEL012E	VKDLVEL012F
3/4"	20	16	65	115	70	19	77	1903	VKDLVEL034E	VKDLVEL034F
1"	25	16	73	128	78	22.5	83	2011	VKDLVEL100E	VKDLVEL100F
1" 1/4	32	16	86	146	88	26	94	2369	VKDLVEL114E	VKDLVEL114F
1" 1/2	40	16	98	164	93	30	104	2601	VKDLVEL112E	VKDLVEL112F
2"	50	*10	122	199	111	36	127	3218	VKDLVEL200E	VKDLVEL200F

*PN16 upon request



VKDAV/CE 90-240 V AC

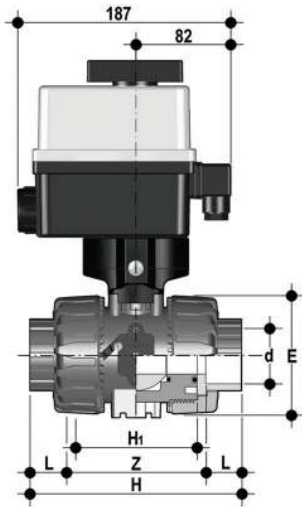
Two way DUAL BLOCK® ball valve with female ends for solvent welding, ASTM series with multi-volt electric actuator 90-240 V AC 50-60 Hz

d	DN	PN	E	H	H ₁	L	Z	g	EPDM Code	FKM Code
3/8"	10	16	54	117	65	19.5	78	1785	VKDAVEM038E	VKDAVEM038F
1/2"	15	16	54	117	65	22.5	72	1775	VKDAVEM012E	VKDAVEM012F
3/4"	20	16	65	129	70	25.5	78	1903	VKDAVEM034E	VKDAVEM034F
1"	25	16	73	142	78	28.7	84.6	2011	VKDAVEM100E	VKDAVEM100F
1" 1/4	32	16	86	162	88	32	98	2369	VKDAVEM114E	VKDAVEM114F
1" 1/2	40	16	98	172	93	35	102	2601	VKDAVEM112E	VKDAVEM112F
2"	50	*10	122	199	111	38.2	122.6	3218	VKDAVEM200E	VKDAVEM200F

*PN16 upon request

DIMENSIONS

VKD/CE DN 10÷50 PVC-U

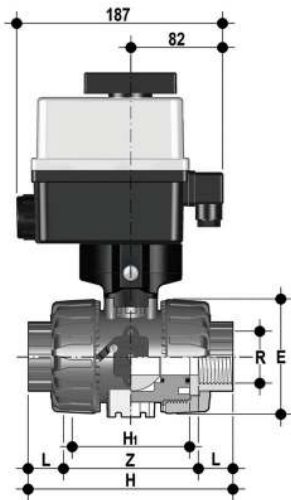


VKDAV/CE 24 V AC/DC

Two way DUAL BLOCK® ball valve with female ends for solvent welding, ASTM series with electric actuator 24 V AC/DC

d	DN	PN	E	H	H ₁	L	Z	g	EPDM Code	FKM Code
3/8"	10	16	54	117	65	19.5	78	1785	VKDAVEL038E	VKDAVEL038F
1/2"	15	16	54	117	65	22.5	72	1775	VKDAVEL012E	VKDAVEL012F
3/4"	20	16	65	129	70	25.5	78	1903	VKDAVEL034E	VKDAVEL034F
1"	25	16	73	142	78	28.7	84.6	2011	VKDAVEL100E	VKDAVEL100F
1" 1/4	32	16	86	162	88	32	98	2369	VKDAVEL114E	VKDAVEL114F
1" 1/2	40	16	98	172	93	35	102	2601	VKDAVEL112E	VKDAVEL112F
2"	50	*10	122	199	111	38.2	122.6	3218	VKDAVEL200E	VKDAVEL200F

*PN16 upon request



VKDNV/CE 90-240 V AC

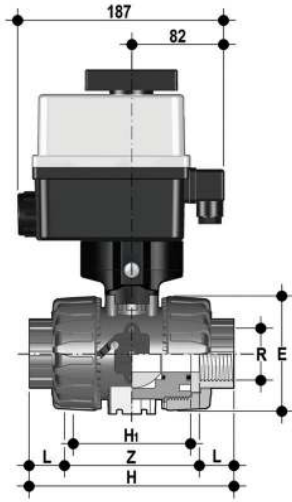
Two way DUAL BLOCK® ball valve with NPT thread female ends with multi-volt electric actuator 90-240 V AC 50-60 Hz

R	DN	PN	E	H	H ₁	L	Z	g	EPDM Code	FKM Code
3/8"	10	16	54	103	65	13.7	75.6	1785	VKDNVEM038E	VKDNVEM038F
1/2"	15	16	54	111	65	17.8	75.4	1775	VKDNVEM012E	VKDNVEM012F
3/4"	20	16	65	117	70	18	81	1903	VKDNVEM034E	VKDNVEM034F
1"	25	16	73	135	78	22.6	89.8	2011	VKDNVEM100E	VKDNVEM100F
1" 1/4	32	16	86	153	88	25.1	102.8	2369	VKDNVEM114E	VKDNVEM114F
1" 1/2	40	16	98	156	93	24.7	106.6	2601	VKDNVEM112E	VKDNVEM112F
2"	50	*10	122	186	111	29.6	126.8	3218	VKDNVEM200E	VKDNVEM200F

*PN16 upon request

DIMENSIONS

VKD/CE DN 10÷50 PVC-U

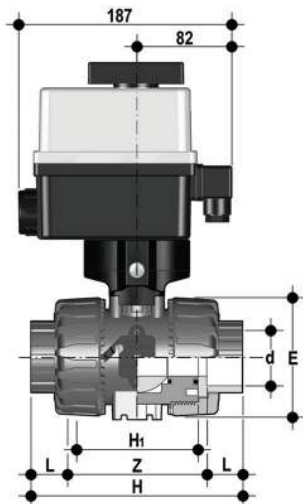


VKDNV/CE 24 V AC/DC

Two way DUAL BLOCK® ball valve with NPT thread female ends with electric actuator 24 V AC/DC

R	DN	PN	E	H	H ₁	L	Z	g	EPDM Code	FKM Code
3/8"	10	16	54	103	65	13.7	75.6	1785	VKDNVEL038E	VKDNVEL038F
1/2"	15	16	54	111	65	17.8	75.4	1775	VKDNVEL012E	VKDNVEL012F
3/4"	20	16	65	117	70	18	81	1903	VKDNVEL034E	VKDNVEL034F
1"	25	16	73	135	78	22.6	89.8	2011	VKDNVEL100E	VKDNVEL100F
1" 1/4	32	16	86	153	88	25.1	102.8	2369	VKDNVEL114E	VKDNVEL114F
1" 1/2	40	16	98	156	93	24.7	106.6	2601	VKDNVEL112E	VKDNVEL112F
2"	50	*10	122	186	111	29.6	126.8	3218	VKDNVEL200E	VKDNVEL200F

*PN16 upon request



VKDJV/CE 90-240 V AC

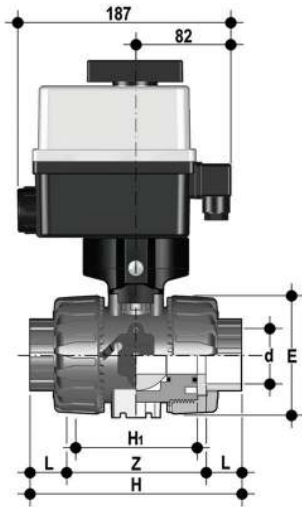
Two way DUAL BLOCK® ball valve with female ends for solvent welding, JIS series with multi-volt electric actuator 90-240 V AC 50-60 Hz

d	DN	PN	E	H	H ₁	L	Z	g	EPDM Code	FKM Code
1/2"	15	16	54	131	65	30	71	1775	VKDJVEM012E	VKDJVEM012F
3/4"	20	16	65	147	70	35	77	1903	VKDJVEM034E	VKDJVEM034F
1"	25	16	73	164	78	40	84	2011	VKDJVEM100E	VKDJVEM100F
1" 1/4	32	16	86	182	88	44	94	2369	VKDJVEM114E	VKDJVEM114F
1" 1/2	40	16	98	212	93	55	102	2601	VKDJVEM112E	VKDJVEM112F
2"	50	*10	122	248	111	63	122	3218	VKDJVEM200E	VKDJVEM200F

*PN16 upon request

DIMENSIONS

VKD/CE DN 10÷50 PVC-U

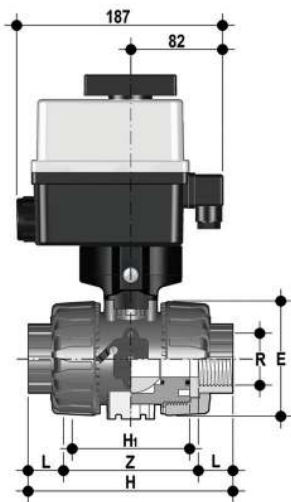


VKDJV/CE 24 V AC/DC

Two way DUAL BLOCK® ball valve with female ends for solvent welding, JIS series with electric actuator 24 V AC/DC

d	DN	PN	E	H	H ₁	L	Z	g	EPDM Code	FKM Code
1/2"	15	16	54	131	65	30	71	1775	VKDJVEL012E	VKDJVEL012F
3/4"	20	16	65	147	70	35	77	1903	VKDJVEL034E	VKDJVEL034F
1"	25	16	73	164	78	40	84	2011	VKDJVEL100E	VKDJVEL100F
1" 1/4	32	16	86	182	88	44	94	2369	VKDJVEL114E	VKDJVEL114F
1" 1/2	40	16	98	212	93	55	102	2601	VKDJVEL112E	VKDJVEL112F
2"	50	*10	122	248	111	63	122	3218	VKDJVEL200E	VKDJVEL200F

*PN16 upon request



VKDG V/CE 90-240 V AC

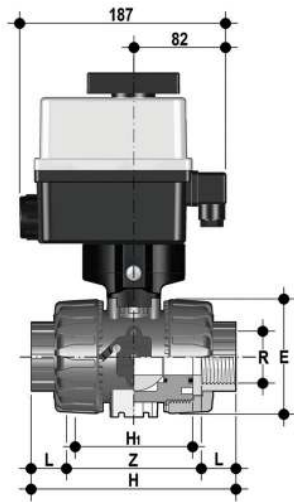
Two way DUAL BLOCK® ball valve with JIS thread female ends with multi-volt electric actuator 90-240 V AC 50-60 Hz

R	DN	PN	E	H	H ₁	L	Z	g	EPDM Code	FKM Code
1/2"	15	16	54	103	65	16	71	1775	VKDG VEM012E	VKDG VEM012F
3/4"	20	16	65	115	70	19	77	1903	VKDG VEM034E	VKDG VEM034F
1"	25	16	73	128	78	22	84	2011	VKDG VEM100E	VKDG VEM100F
1" 1/4	32	16	86	146	88	25	96	2369	VKDG VEM114E	VKDG VEM114F
1" 1/2	40	16	98	164	93	26	112	2601	VKDG VEM112E	VKDG VEM112F
2"	50	*10	122	199	111	31	137	3218	VKDG VEM200E	VKDG VEM200F

*PN16 upon request

DIMENSIONS

VKD/CE DN 10÷50 PVC-U



VKDG/CE 24 V AC/DC

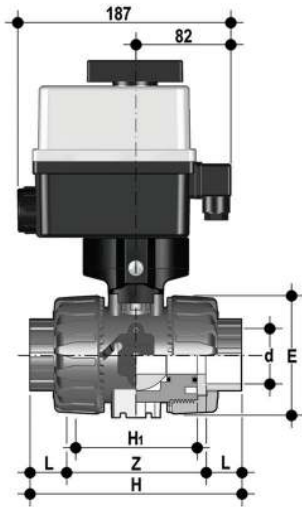
Two way DUAL BLOCK® ball valve with JIS thread female ends with electric actuator 24 V AC/DC

R	DN	PN	E	H	H ₁	L	Z	g	EPDM Code	FKM Code
1/2"	15	16	54	103	65	16	71	1775	VKDGVEL012E	VKDGVEL012F
3/4"	20	16	65	115	70	19	77	1903	VKDGVEL034E	VKDGVEL034F
1"	25	16	73	128	78	22	84	2011	VKDGVEL100E	VKDGVEL100F
1" 1/4	32	16	86	146	88	25	96	2369	VKDGVEL114E	VKDGVEL114F
1" 1/2	40	16	98	164	93	26	112	2601	VKDGVEL112E	VKDGVEL112F
2"	50	*10	122	199	111	31	137	3218	VKDGVEL200E	VKDGVEL200F

*PN16 upon request

DIMENSIONS

VKD/CE DN 10÷50 PVC-C

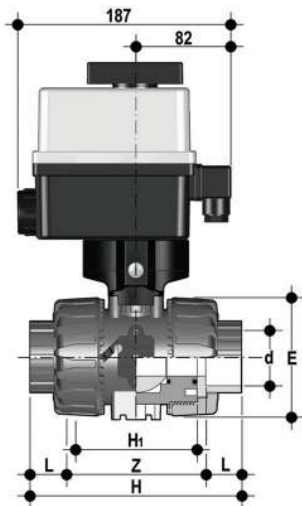


VKDIC/CE 90-240 V AC

DUAL BLOCK® ball valve with female ends for solvent welding, metric series with multi-volt electric actuator 90-240 V AC 50-60 Hz

d	DN	PN	E	H	H ₁	L	Z	g	EPDM Code	FKM Code
16	10	16	54	103	65	14	75	1798	VKDICEM016E	VKDICEM016F
20	15	16	54	103	65	16	71	1792	VKDICEM020E	VKDICEM020F
25	20	16	65	115	70	19	77	1923	VKDICEM025E	VKDICEM025F
32	25	16	73	128	78	22	84	2043	VKDICEM032E	VKDICEM032F
40	32	16	86	146	88	26	94	2400	VKDICEM040E	VKDICEM040F
50	40	16	98	164	93	31	102	2688	VKDICEM050E	VKDICEM050F
63	50	*10	122	199	111	38	123	3311	VKDICEM063E	VKDICEM063F

*PN 16 upon request



VKDIC/CE 24 V AC/DC

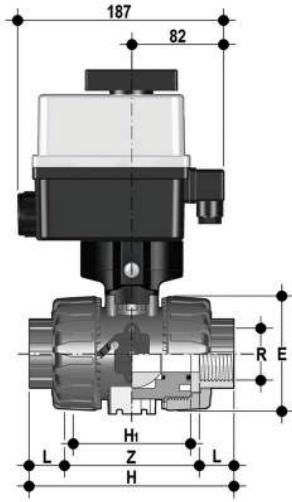
DUAL BLOCK® ball valve with female ends for solvent welding, metric series with electric actuator 24 V AC/DC

d	DN	PN	E	H	H ₁	L	Z	g	EPDM Code	FKM Code
16	10	16	54	103	65	14	75	1798	VKDICEL016E	VKDICEL016F
20	15	16	54	103	65	16	71	1792	VKDICEL020E	VKDICEL020F
25	20	16	65	115	70	19	77	1923	VKDICEL025E	VKDICEL025F
32	25	16	73	128	78	22	84	2043	VKDICEL032E	VKDICEL032F
40	32	16	86	146	88	26	94	2400	VKDICEL040E	VKDICEL040F
50	40	16	98	164	93	31	102	2688	VKDICEL050E	VKDICEL050F
63	50	*10	122	199	111	38	123	3311	VKDICEL063E	VKDICEL063F

*PN 16 upon request

DIMENSIONS

VKD/CE DN 10÷50 PVC-C

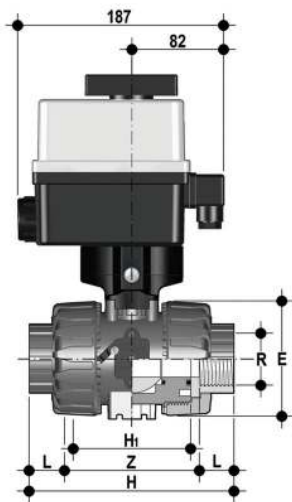


VKDNC/CE 90-240 V AC

Two way DUAL BLOCK® ball valve with NPT thread female ends with multi-volt electric actuator 90-240 V AC 50-60 Hz

R	DN	PN	E	H	H ₁	L	Z	g	EPDM Code	FKM Code
1/2"	15	16	54	111	65	17.8	75.4	1792	VKDNCCEM012E	VKDNCCEM012F
3/4"	20	16	65	117	70	18	81	1923	VKDNCCEM034E	VKDNCCEM034F
1"	25	16	73	135	78	22.6	89.8	2043	VKDNCCEM100E	VKDNCCEM100F
1" 1/4	32	16	86	153	88	25.1	102.8	2400	VKDNCCEM114E	VKDNCCEM114F
1" 1/2	40	16	98	156	93	24.7	106.6	2688	VKDNCCEM112E	VKDNCCEM112F
2"	50	*10	122	186	111	29.6	126.8	3311	VKDNCCEM200E	VKDNCCEM200F

*PN 16 upon request



VKDNC/CE 24 V AC/DC

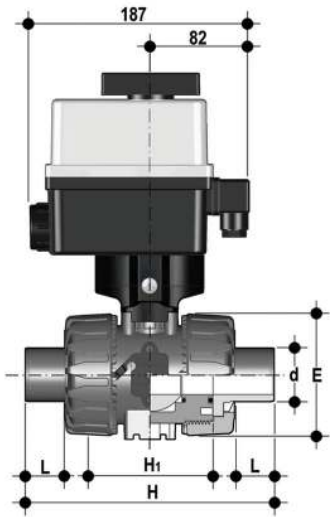
Two way DUAL BLOCK® ball valve with NPT thread female ends with electric actuator 24 V AC/DC

R	DN	PN	E	H	H ₁	L	Z	g	EPDM Code	FKM Code
1/2"	15	16	54	111	65	17.8	75.4	1792	VKDNCCEL012E	VKDNCCEL012F
3/4"	20	16	65	117	70	18	81	1923	VKDNCCEL034E	VKDNCCEL034F
1"	25	16	73	135	78	22.6	89.8	2043	VKDNCCEL100E	VKDNCCEL100F
1" 1/4	32	16	86	153	88	25.1	102.8	2400	VKDNCCEL114E	VKDNCCEL114F
1" 1/2	40	16	98	156	93	24.7	106.6	2688	VKDNCCEL112E	VKDNCCEL112F
2"	50	*10	122	186	111	29.6	126.8	3311	VKDNCCEL200E	VKDNCCEL200F

*PN 16 upon request

DIMENSIONS

VKD/CE DN 10÷50 PVC-C

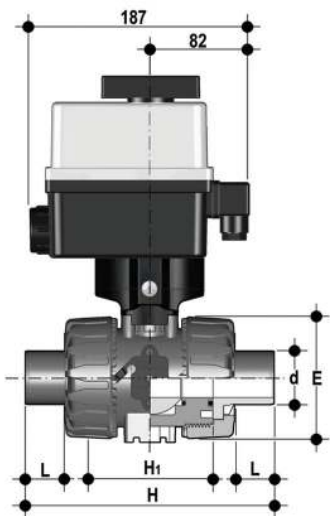


VKDDC/CE 90-240 V AC

DUAL BLOCK® ball valve with male ends for solvent welding, metric series with multi-volt electric actuator 90-240 V AC 50-60 Hz

d	DN	PN	E	H	H ₁	L	g	EPDM Code	FKM Code
16	10	16	54	149	65	14	1798	VKDDCEM016E	VKDDCEM016F
20	15	16	54	124	65	16	1792	VKDDCEM020E	VKDDCEM020F
25	20	16	65	144	70	19	1923	VKDDCEM025E	VKDDCEM025F
32	25	16	73	154	78	22	2043	VKDDCEM032E	VKDDCEM032F
40	32	16	86	174	88	26	2400	VKDDCEM040E	VKDDCEM040F
50	40	16	98	194	93	31	2688	VKDDCEM050E	VKDDCEM050F
63	50	*10	122	224	111	38	3311	VKDDCEM063E	VKDDCEM063F

*PN 16 upon request



VKDDC/CE 24 V AC/DC

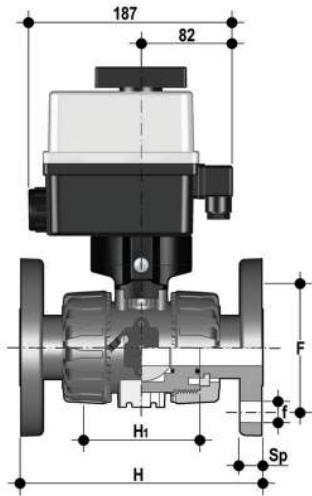
DUAL BLOCK® ball valve with male ends for solvent welding, metric series with electric actuator 24 V AC/DC

d	DN	PN	E	H	H ₁	L	g	EPDM Code	FKM Code
16	10	16	54	149	65	14	1798	VKDDCEL016E	VKDDCEL016F
20	15	16	54	124	65	16	1792	VKDDCEL020E	VKDDCEL020F
25	20	16	65	144	70	19	1923	VKDDCEL025E	VKDDCEL025F
32	25	16	73	154	78	22	2043	VKDDCEL032E	VKDDCEL032F
40	32	16	86	174	88	26	2400	VKDDCEL040E	VKDDCEL040F
50	40	16	98	194	93	31	2688	VKDDCEL050E	VKDDCEL050F
63	50	*10	122	224	111	38	3311	VKDDCEL063E	VKDDCEL063F

*PN 16 upon request

DIMENSIONS

VKD/CE DN 10÷50 PVC-C

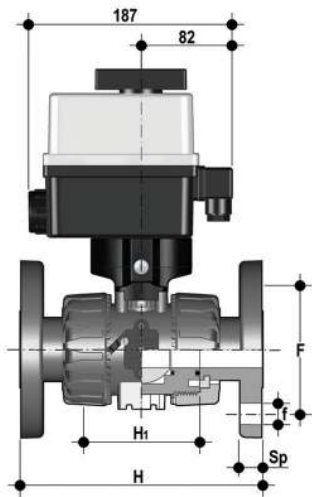


VKDOC/CE 90-240 V AC

DUAL BLOCK® Ball Valve with fixed flanges, drilled EN/ISO/DIN PN 10/16, face to face dimensions as per EN 558-1 with multi-volt electric actuator 90-240 V AC 50-60 Hz

d	DN	PN	H	H ₁	F	f	U	Sp	g	EPDM Code	FKM Code
20	15	16	130	65	65	14	4	11	1792	VKDOCEM020E	VKDOCEM020F
25	20	16	150	70	75	14	4	13.5	1923	VKDOCEM025E	VKDOCEM025F
32	25	16	160	78	85	14	4	14	2043	VKDOCEM032E	VKDOCEM032F
40	32	16	180	88	100	18	4	14	2400	VKDOCEM040E	VKDOCEM040F
50	40	16	200	93	110	18	4	16	2688	VKDOCEM050E	VKDOCEM050F
63	50	*10	230	111	125	18	4	16	3311	VKDOCEM063E	VKDOCEM063F

*PN 16 upon request



VKDOC/CE 24 V AC/DC

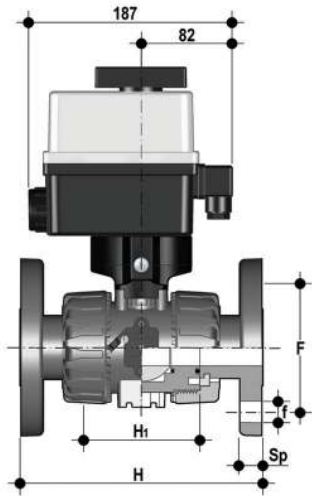
DUAL BLOCK® Ball Valve with fixed flanges, drilled EN/ISO/DIN PN 10/16, face to face dimensions as per EN 558-1 with electric actuator 24 V AC/DC

d	DN	PN	H	H ₁	F	f	U	Sp	g	EPDM Code	FKM Code
20	15	16	130	65	65	14	4	11	1792	VKDOCEL020E	VKDOCEL020F
25	20	16	150	70	75	14	4	13.5	1923	VKDOCEL025E	VKDOCEL025F
32	25	16	160	78	85	14	4	14	2043	VKDOCEL032E	VKDOCEL032F
40	32	16	180	88	100	18	4	14	2400	VKDOCEL040E	VKDOCEL040F
50	40	16	200	93	110	18	4	16	2688	VKDOCEL050E	VKDOCEL050F
63	50	*10	230	111	125	18	4	16	3311	VKDOCEL063E	VKDOCEL063F

*PN 16 upon request

DIMENSIONS

VKD/CE DN 10÷50 PVC-C

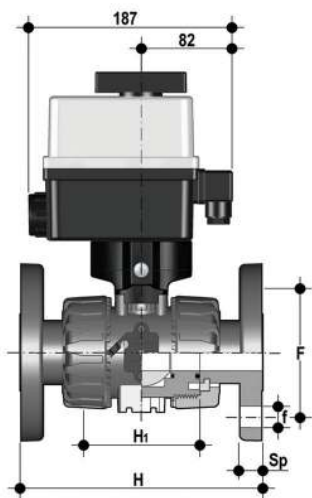


VKDOAC/CE 90-240 V AC

DUAL BLOCK® Ball Valve with free flanges EN/ISO/DIN PN 10/16, face to face dimensions as per EN 558-1 with electric actuator 24 V AC/DC

d	DN	PN	H	H ₁	F	f	U	Sp	g	EPDM Code	FKM Code
1/2"	15	16	143	65	60.3	15.9	4	11	1792	VKDOACEM012E	VKDOACEM012F
3/4"	20	16	172	70	69.9	15.9	4	13.5	1923	VKDOACEM034E	VKDOACEM034F
1"	25	16	187	78	79.4	15.9	4	14	2043	VKDOACEM100E	VKDOACEM100F
1" 1/4	32	16	190	88	88.9	15.9	4	14	2400	VKDOACEM114E	VKDOACEM114F
1" 1/2	40	16	212	93	98.4	15.9	4	16	2688	VKDOACEM112E	VKDOACEM112F
2"	50	*10	234	111	120.7	19.1	4	16	3311	VKDOACEM200E	VKDOACEM200F

*PN 16 upon request



VKDOAC/CE 24 V AC/DC

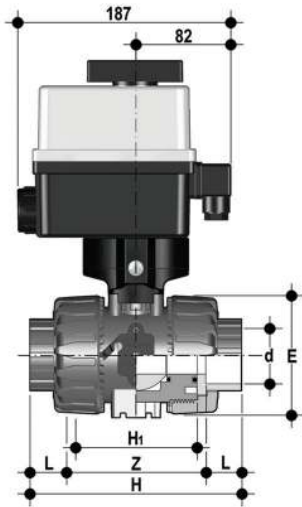
DUAL BLOCK® ball valve with fixed flanges drilled ANSI B16.5 cl.150#FF with electric actuator 24 V AC/DC

d	DN	PN	H	H ₁	F	f	U	Sp	g	EPDM Code	FKM Code
1/2"	15	16	143	65	60.3	15.9	4	11	1792	VKDOACEL012E	VKDOACEL012F
3/4"	20	16	172	70	69.9	15.9	4	13.5	1923	VKDOACEL034E	VKDOACEL034F
1"	25	16	187	78	79.4	15.9	4	14	2043	VKDOACEL100E	VKDOACEL100F
1" 1/4	32	16	190	88	88.9	15.9	4	14	2400	VKDOACEL114E	VKDOACEL114F
1" 1/2	40	16	212	93	98.4	15.9	4	16	2688	VKDOACEL112E	VKDOACEL112F
2"	50	*10	234	111	120.7	19.1	4	16	3311	VKDOACEL200E	VKDOACEL200F

*PN 16 upon request

DIMENSIONS

VKD/CE DN 10÷50 PVC-C

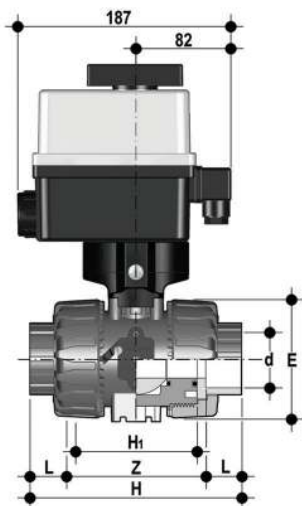


VKDAC/CE 90-240 V AC

Two way DUAL BLOCK® ball valve with female ends for solvent welding, ASTM series with multi-volt electric actuator 90-240 V AC 50-60 Hz

d	DN	PN	E	H	H ₁	L	Z	g	EPDM Code	FKM Code
1/2"	15	16	54	117	65	22.5	72	1792	VKDACEM012E	VKDACEM012F
3/4"	20	16	65	129	70	25.5	78	1923	VKDACEM034E	VKDACEM034F
1"	25	16	73	142	78	28.7	84.6	2043	VKDACEM100E	VKDACEM100F
1" 1/4	32	16	86	162	88	32	98	2400	VKDACEM114E	VKDACEM114F
1" 1/2	40	16	98	172	93	35	102	2688	VKDACEM112E	VKDACEM112F
2"	50	*10	122	199	111	38.2	122.6	3311	VKDACEM200E	VKDACEM200F

*PN 16 upon request



VKDAC/CE 24 V AC/DC

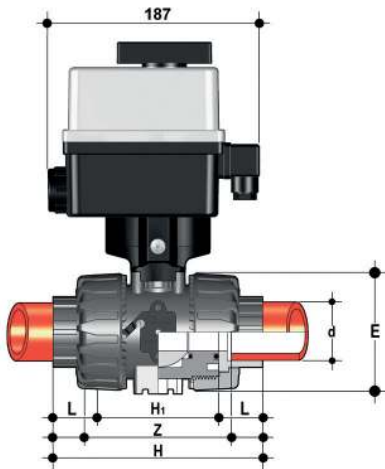
Two way DUAL BLOCK® ball valve with female ends for solvent welding, ASTM series with electric actuator 24 V AC/DC

d	DN	PN	E	H	H ₁	L	Z	g	EPDM Code	FKM Code
1/2"	15	16	54	117	65	22.5	72	1792	VKDACEL012E	VKDACEL012F
3/4"	20	16	65	129	70	25.5	78	1923	VKDACEL034E	VKDACEL034F
1"	25	16	73	142	78	28.7	84.6	2043	VKDACEL100E	VKDACEL100F
1" 1/4	32	16	86	162	88	32	98	2400	VKDACEL114E	VKDACEL114F
1" 1/2	40	16	98	172	93	35	102	2688	VKDACEL112E	VKDACEL112F
2"	50	*10	122	199	111	38.2	122.6	3311	VKDACEL200E	VKDACEL200F

*PN 16 upon request

DIMENSIONS

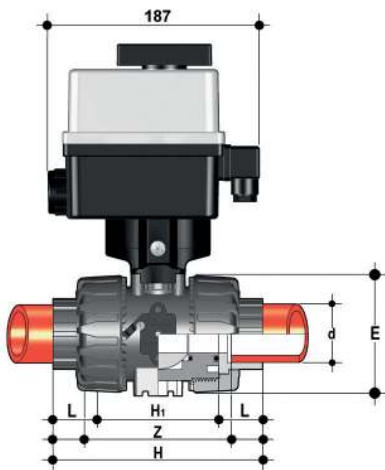
VKD/CE DN 10÷50 PP-H



VKDIM/CE 90-240 V AC

DUAL BLOCK® ball valve with female ends for socket welding, metric series with multi-volt electric actuator 90-240 V AC 50-60 Hz

d	DN	PN	E	H	H ₁	L	Z	g	EPDM Code	FKM Code
16	10	10	54	103	65	14	75	1720	VKDIMEM016E	VKDIMEM016F
20	15	10	54	103	65	16	71	1715	VKDIMEM020E	VKDIMEM020F
25	20	10	65	115	70	19	77	1791	VKDIMEM025E	VKDIMEM025F
32	25	10	73	128	78	22	84	1871	VKDIMEM032E	VKDIMEM032F
40	32	10	86	146	88	26	94	2156	VKDIMEM040E	VKDIMEM040F
50	40	10	98	164	93	31	102	2358	VKDIMEM050E	VKDIMEM050F
63	50	10	122	199	111	38	123	2807	VKDIMEM063E	VKDIMEM063F



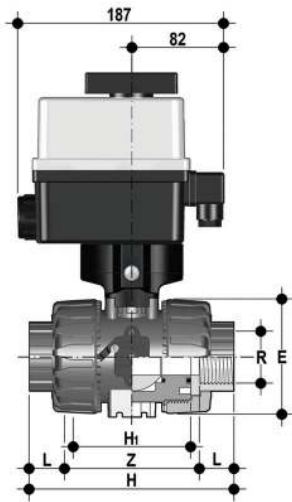
VKDIM/CE 24 V AC/DC

DUAL BLOCK® ball valve with female ends for socket welding, metric series with electric actuator 24 V AC/DC

d	DN	PN	E	H	H ₁	L	Z	g	EPDM Code	FKM Code
16	10	10	54	102	65	14	74.5	1720	VKDIMEL016E	VKDIMEL016F
20	15	10	54	102	65	15	73	1715	VKDIMEL020E	VKDIMEL020F
25	20	10	65	114	70	17	82	1791	VKDIMEL025E	VKDIMEL025F
32	25	10	73	126	78	19	90	1871	VKDIMEL032E	VKDIMEL032F
40	32	10	86	141	88	23	100	2156	VKDIMEL040E	VKDIMEL040F
50	40	10	98	164	93	24	117	2358	VKDIMEL050E	VKDIMEL050F
63	50	10	122	199	111	28	144	2807	VKDIMEL063E	VKDIMEL063F

DIMENSIONS

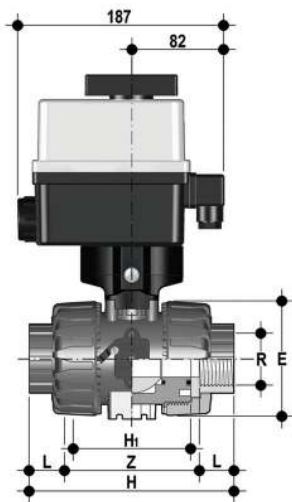
VKD/CE DN 10÷50 PP-H



VKDFM/CE 90-240 V AC

DUAL BLOCK® ball valve with female ends, gas cylinder thread with multi-volt electric actuator 90-240 V AC 50-60 Hz

R	DN	PN	E	H	H ₁	L	Z	g	EPDM Code	FKM Code
1/2"	15	10	54	110	65	15	80	1715	VKDFMEM012E	VKDFMEM012F
3/4"	20	10	65	116	70	16	83	1791	VKDFMEM034E	VKDFMEM034F
1"	25	10	73	134	78	19	96	1871	VKDFMEM100E	VKDFMEM100F
1" 1/4	32	10	86	153	88	21	110	2156	VKDFMEM114E	VKDFMEM114F
1" 1/2	40	10	98	156	93	21	113	2358	VKDFMEM112E	VKDFMEM112F
2"	50	10	122	186	111	26	135	2807	VKDFMEM200E	VKDFMEM200F



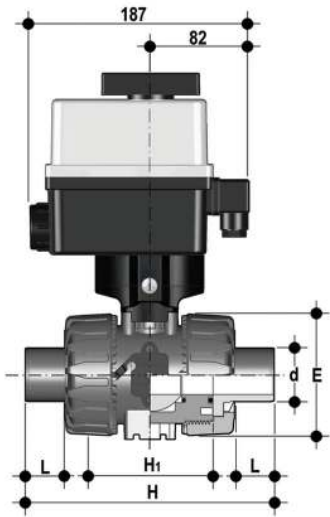
VKDFM/CE 24 V AC/DC

DUAL BLOCK® ball valve with female ends, gas cylinder thread with electric actuator 24 V AC/DC

R	DN	PN	E	H	H ₁	L	Z	g	EPDM Code	FKM Code
1/2"	15	10	54	110	65	15	80	1715	VKDFMEL012E	VKDFMEL012F
3/4"	20	10	65	116	70	16	83	1791	VKDFMEL034E	VKDFMEL034F
1"	25	10	73	134	78	19	96	1871	VKDFMEL100E	VKDFMEL100F
1" 1/4	32	10	86	153	88	21	110	2156	VKDFMEL114E	VKDFMEL114F
1" 1/2	40	10	98	156	93	21	113	2358	VKDFMEL112E	VKDFMEL112F
2"	50	10	122	186	111	26	135	2807	VKDFMEL200E	VKDFMEL200F

DIMENSIONS

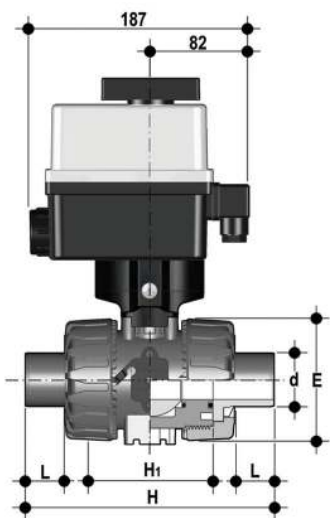
VKD/CE DN 10÷50 PP-H



VKDDM/CE 90-240 V AC

DUAL BLOCK® ball valve with male ends for socket welding, metric series with multi-volt electric actuator 90-240 V AC 50-60 Hz

d	DN	PN	E	H	H ₁	L	g	EPDM Code	FKM Code
20	15	10	54	124	65	16	1715	VKDDMEM020E	VKDDMEM020F
25	20	10	65	144	70	18	1791	VKDDMEM025E	VKDDMEM025F
32	25	10	73	154	78	20	1871	VKDDMEM032E	VKDDMEM032F
40	32	10	86	174	88	22	2156	VKDDMEM040E	VKDDMEM040F
50	40	10	98	194	93	23	2358	VKDDMEM050E	VKDDMEM050F
63	50	10	122	224	111	29	2807	VKDDMEM063E	VKDDMEM063F



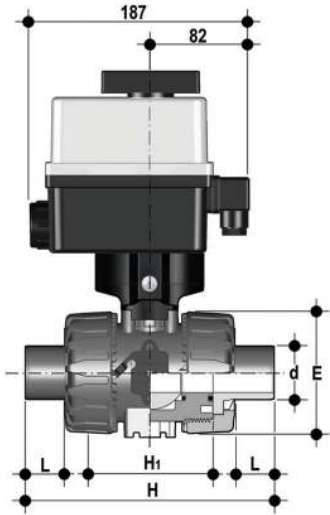
VKDDM/CE 24 V AC/DC

DUAL BLOCK® ball valve with male ends for socket welding, metric series with electric actuator 24 V AC/DC

d	DN	PN	E	H	H ₁	L	g	EPDM Code	FKM Code
20	15	10	54	124	65	16	1715	VKDDMEL020E	VKDDMEL020F
25	20	10	65	144	70	18	1791	VKDDMEL025E	VKDDMEL025F
32	25	10	73	154	78	20	1871	VKDDMEL032E	VKDDMEL032F
40	32	10	86	174	88	22	2156	VKDDMEL040E	VKDDMEL040F
50	40	10	98	194	93	23	2358	VKDDMEL050E	VKDDMEL050F
63	50	10	122	224	111	29	2807	VKDDMEL063E	VKDDMEL063F

DIMENSIONS

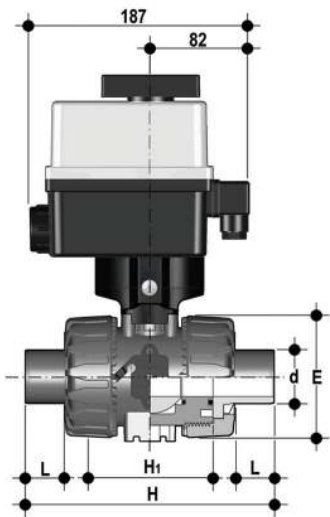
VKD/CE DN 10÷50 PP-H



VKDBM/CE 90-240 V AC

DUAL BLOCK® ball valve with long spigot male ends in PP-H SDR21 for head welding (CVDM) with multi-volt electric actuator 90-240 V AC 50-60 Hz

d	DN	PN	E	H	H _i	L	Z	g	EPDM Code	FKM Code
20	15	10	54	175	65	41	93	1715	VKDBMEM020E	VKDBMEM020F
25	20	10	65	210	70	52	106	1791	VKDBMEM025E	VKDBMEM025F
32	25	10	73	226	78	55	116	1871	VKDBMEM032E	VKDBMEM032F
40	32	10	86	243	88	56	131	2156	VKDBMEM040E	VKDBMEM040F
50	40	10	98	261	93	58	145	2358	VKDBMEM050E	VKDBMEM050F
63	50	10	122	293	111	66	161	2807	VKDBMEM063E	VKDBMEM063F



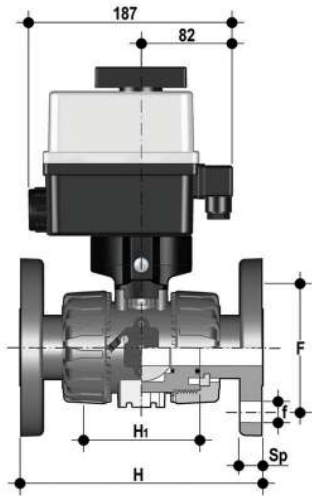
VKDBM/CE 24 V AC/DC

DUAL BLOCK® ball valve with long spigot male ends in PP-H SDR21 for head welding (CVDM) with electric actuator 24 V AC/DC

d	DN	PN	E	H	H _i	L	Z	g	EPDM Code	FKM Code
20	15	10	54	175	65	41	93	1715	VKDBMEL020E	VKDBMEL020F
25	20	10	65	210	70	52	106	1791	VKDBMEL025E	VKDBMEL025F
32	25	10	73	226	78	55	116	1871	VKDBMEL032E	VKDBMEL032F
40	32	10	86	243	88	56	131	2156	VKDBMEL040E	VKDBMEL040F
50	40	10	98	261	93	58	145	2358	VKDBMEL050E	VKDBMEL050F
63	50	10	122	293	111	66	161	2807	VKDBMEL063E	VKDBMEL063F

DIMENSIONS

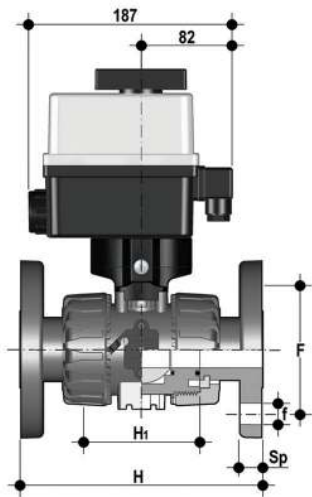
VKD/CE DN 10÷50 PP-H



VKDOM/CE 90-240 V AC

DUAL BLOCK® Ball Valve with fixed flanges EN/ISO/DIN PN 10/16, face to face dimensions as per EN 558-1 with multi-volt electric actuator 90-240 V AC 50-60 Hz

d	DN	PN	H	H ₁	F	f	U	Sp	g	EPDM Code	FKM Code
20	15	10	130	65	65	14	4	11	1715	VKDOMEM020E	VKDOMEM020F
25	20	10	150	70	75	14	4	13.5	1791	VKDOMEM025E	VKDOMEM025F
32	25	10	160	78	85	14	4	14	1871	VKDOMEM032E	VKDOMEM032F
40	32	10	180	88	100	18	4	14	2156	VKDOMEM040E	VKDOMEM040F
50	40	10	200	93	110	18	4	16	2358	VKDOMEM050E	VKDOMEM050F
63	50	10	230	111	125	18	4	16	2807	VKDOMEM063E	VKDOMEM063F



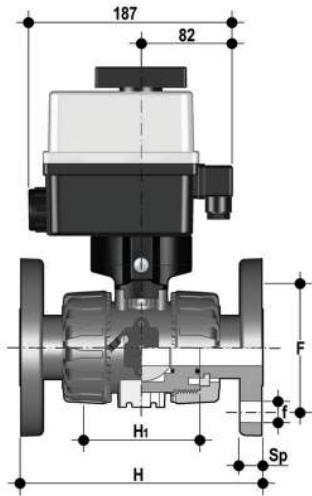
VKDOM/CE 24 V AC/DC

DUAL BLOCK® Ball Valve with fixed flanges EN/ISO/DIN PN 10/16, face to face dimensions as per EN 558-1 with electric actuator 24 V AC/DC

d	DN	PN	H	H ₁	F	f	U	Sp	g	EPDM Code	FKM Code
20	15	10	130	65	65	14	4	11	1715	VKDOMEL020E	VKDOMEL020F
25	20	10	150	70	75	14	4	14	1791	VKDOMEL025E	VKDOMEL025F
32	25	10	160	78	85	14	4	14	1871	VKDOMEL032E	VKDOMEL032F
40	32	10	180	88	100	18	4	14	2156	VKDOMEL040E	VKDOMEL040F
50	40	10	200	93	110	18	4	16	2358	VKDOMEL050E	VKDOMEL050F
63	50	10	230	111	125	18	4	16	2807	VKDOMEL063E	VKDOMEL063F

DIMENSIONS

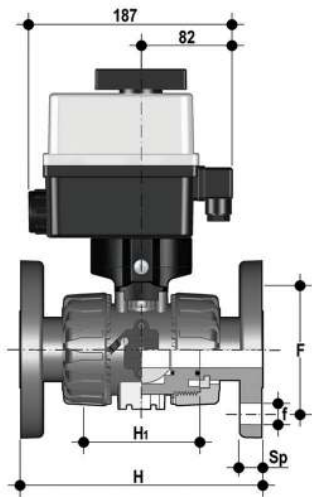
VKD/CE DN 10÷50 PP-H



VKDOAM/CE 90-240 V AC

DUAL BLOCK® ball valve with fixed flanges, drilled ANSI B16.5 cl.150#FF with multi-volt electric actuator 90-240 V AC 50-60 Hz

d	DN	PN	H	H ₁	F	f	U	Sp	g	EPDM Code	FKM Code
1/2"	15	10	143	65	60.3	15.9	4	11	1715	VKDOAMEM012E	VKDOAMEM012F
3/4"	20	10	172	70	69.9	15.9	4	14	1791	VKDOAMEM034E	VKDOAMEM034F
1"	25	10	187	78	79.4	15.9	4	14	1871	VKDOAMEM100E	VKDOAMEM100F
1" 1/4	32	10	190	88	88.9	15.9	4	14	2156	VKDOAMEM114E	VKDOAMEM114F
1" 1/2	40	10	212	93	98.4	15.9	4	16	2358	VKDOAMEM112E	VKDOAMEM112F
2"	50	10	234	111	120.7	19.1	4	16	2807	VKDOAMEM200E	VKDOAMEM200F



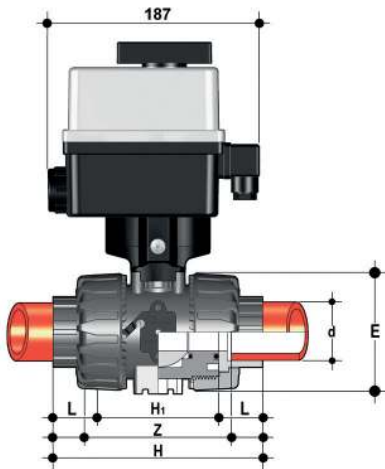
VKDOAM/CE 24 V AC/DC

DUAL BLOCK® ball valve with fixed flanges drilled ANSI B16.5 cl.150#FF with electric actuator 24 V AC/DC

d	DN	PN	H	H ₁	F	f	U	Sp	g	EPDM Code	FKM Code
1/2"	15	10	143	65	60.3	15.9	4	11	1715	VKDOAMEL012E	VKDOAMEL012F
3/4"	20	10	172	70	69.9	15.9	4	14	1791	VKDOAMEL034E	VKDOAMEL034F
1"	25	10	187	78	79.4	15.9	4	14	1871	VKDOAMEL100E	VKDOAMEL100F
1" 1/4	32	10	190	88	88.9	15.9	4	14	2156	VKDOAMEL114E	VKDOAMEL114F
1" 1/2	40	10	212	93	98.4	15.9	4	16	2358	VKDOAMEL112E	VKDOAMEL112F
2"	50	10	234	111	120.7	19.1	4	16	2807	VKDOAMEL200E	VKDOAMEL200F

DIMENSIONS

VKD/CE DN 10÷50 PVDF

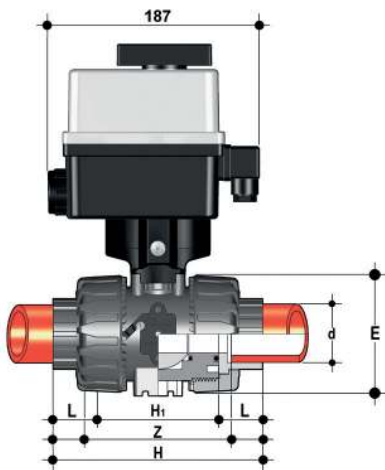


VKDIF/CE 90-240 V AC

DUAL BLOCK® ball valve with female ends for socket welding, metric series with multi-volt electric actuator 90-240 V AC 50-60 Hz

d	DN	PN	E	H	H _i	L	Z	g	FKM Code
16	10	16	54	102	65	14	74.5	1830	VKDIFEM016F
20	15	16	54	102	65	15	73	1825	VKDIFEM020F
25	20	16	65	114	70	17	82	1963	VKDIFEM025F
32	25	16	73	126	78	19	90	2123	VKDIFEM032F
40	32	16	86	141	88	23	100	2491	VKDIFEM040F
50	40	16	98	164	93	24	117	2826	VKDIFEM050F
63	50	*10	122	199	111	28	144	3611	VKDIFEM063F

* PN16 upon request



VKDIF/CE 24 V AC/DC

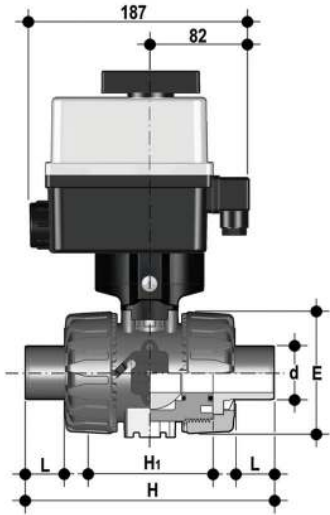
DUAL BLOCK® ball valve with female ends for socket welding, metric series with electric actuator 24 V AC/DC

d	DN	PN	E	H	H _i	L	Z	g	FKM Code
16	10	16	54	102	65	14	74.5	1830	VKDIFEL016F
20	15	16	54	102	65	15	73	1825	VKDIFEL020F
25	20	16	65	114	70	17	82	1963	VKDIFEL025F
32	25	16	73	126	78	19	90	2123	VKDIFEL032F
40	32	16	86	141	88	23	100	2491	VKDIFEL040F
50	40	16	98	164	93	24	117	2826	VKDIFEL050F
63	50	*10	122	199	111	28	144	3611	VKDIFEL063F

* PN16 upon request

DIMENSIONS

VKD/CE DN 10÷50 PVDF

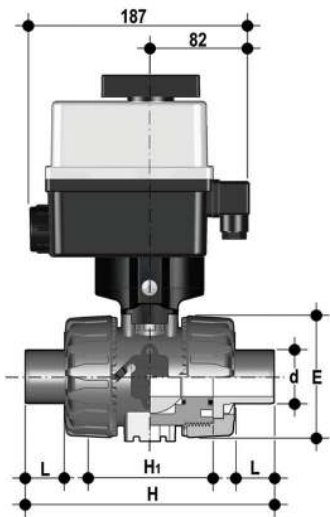


VKDDF/CE 90-240 V AC

DUAL BLOCK® ball valve with male ends for socket welding, metric series with multi-volt electric actuator 90-240 V AC 50-60 Hz

d	DN	PN	E	H	H ₁	L	g	FKM Code
20	15	16	54	124	65	16	1825	VKDDFEM020F
25	20	16	65	144	70	18	1963	VKDDFEM025F
32	25	16	73	154	78	20	2123	VKDDFEM032F
40	32	16	86	174	88	22	2491	VKDDFEM040F
50	40	16	98	194	93	23	2826	VKDDFEM050F
63	50	*10	122	224	111	29	3611	VKDDFEM063F

* PN16 upon request



VKDDF/CE 24 V AC/DC

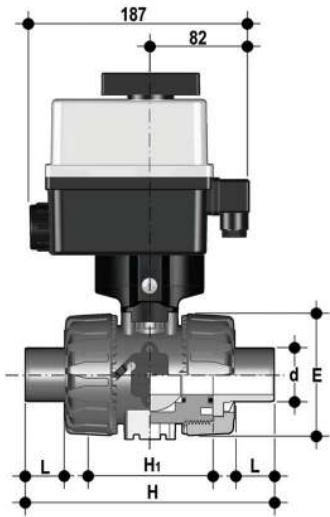
DUAL BLOCK® ball valve with male ends for socket welding, metric series with electric actuator 24 V AC/DC

d	DN	PN	E	H	H ₁	L	g	FKM Code
20	15	16	54	124	65	16	1825	VKDDFEL020F
25	20	16	65	144	70	18	1963	VKDDFEL025F
32	25	16	73	154	78	20	2123	VKDDFEL032F
40	32	16	86	174	88	22	2491	VKDDFEL040F
50	40	16	98	194	93	23	2826	VKDDFEL050F
63	50	*10	122	224	111	29	3611	VKDDFEL063F

*PN 16 upon request

DIMENSIONS

VKD/CE DN 10÷50 PVDF

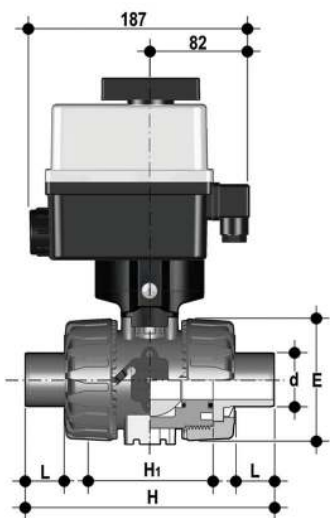


VKDBF/CE 90-240 V AC

DUAL BLOCK® ball valve with long spigot male ends in PVDF SDR21 for head welding (CVDF) with multi-volt electric actuator 90-240 V AC 50-60 Hz

d	DN	PN	E	H	H ₁	L	Z	g	FKM Code
20	15	16	54	171	65	41	89	1825	VKDBFEM020F
25	20	16	65	204	70	52	100	1963	VKDBFEM025F
32	25	16	73	220	78	55	110	2123	VKDBFEM032F
40	32	16	86	238	88	56	126	2491	VKDBFEM040F
50	40	16	98	254	93	58	138	2826	VKDBFEM050F
63	50	*10	122	286	111	66	154	3611	VKDBFEM063F

* PN16 upon request



VKDBF/CE 24 V AC/DC

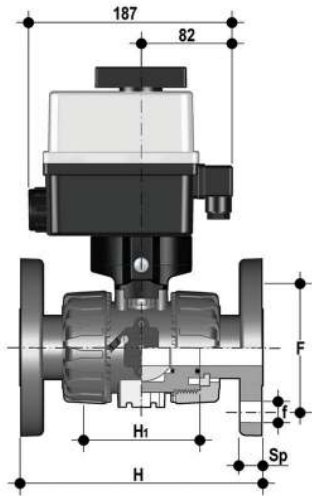
DUAL BLOCK® ball valve with long spigot male ends in PVDF SDR21 for head welding (CVDF) with electric actuator 24 V AC/DC*

d	DN	PN	E	H	H ₁	L	Z	g	FKM Code
20	15	16	54	171	65	41	89	1825	VKDBFEL020F
25	20	16	65	204	70	52	100	1963	VKDBFEL025F
32	25	16	73	220	78	55	110	2123	VKDBFEL032F
40	32	16	86	238	88	56	126	2491	VKDBFEL040F
50	40	16	98	254	93	58	138	2826	VKDBFEL050F
63	50	*10	122	286	111	66	154	3611	VKDBFEL063F

* PN 16 upon request

DIMENSIONS

VKD/CE DN 10÷50 PVDF

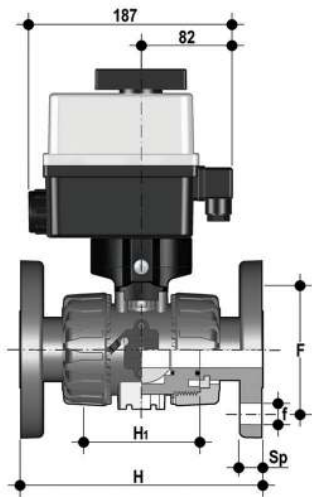


VKDOF/CE 90-240 V AC

DUAL BLOCK® Ball Valve with fixed flanges, drilled EN/ISO/DIN PN 10/16, face to face dimensions as per EN 558-1 with multi-volt electric actuator 90-240 V AC 50-60 Hz

d	DN	PN	H	H ₁	F	f	U	Sp	g	FKM Code
20	15	16	130	65	65	14	4	11	1825	VKDOFEM020F
25	20	16	150	70	75	14	4	14	1963	VKDOFEM025F
32	25	16	160	78	85	14	4	14	2123	VKDOFEM032F
40	32	16	180	88	100	18	4	14	2491	VKDOFEM040F
50	40	16	200	93	110	18	4	16	2826	VKDOFEM050F
63	50	*10	230	111	125	18	4	16	3611	VKDOFEM063F

* PN 16 upon request



VKDOF/CE 24 V AC/DC

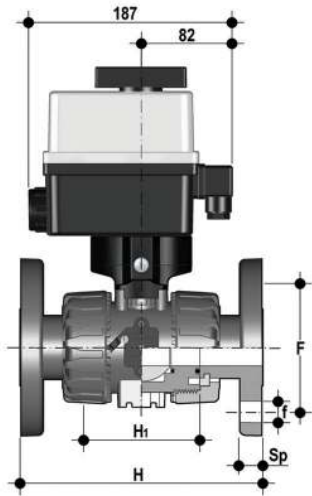
DUAL BLOCK® Ball Valve with fixed flanges, drilled EN/ISO/DIN PN 10/16, face to face dimensions as per EN 558-1 with electric actuator 24 V AC/DC

d	DN	PN	H	H ₁	F	f	U	Sp	g	FKM Code
20	15	16	130	65	65	14	4	11	1825	VKDOFEL020F
25	20	16	150	70	75	14	4	14	1963	VKDOFEL025F
32	25	16	160	78	85	14	4	14	2123	VKDOFEL032F
40	32	16	180	88	100	18	4	14	2491	VKDOFEL040F
50	40	16	200	93	110	18	4	16	2826	VKDOFEL050F
63	50	*10	230	111	125	18	4	16	3611	VKDOFEL063F

* PN 16 upon request

DIMENSIONS

VKD/CE DN 10÷50 PVDF

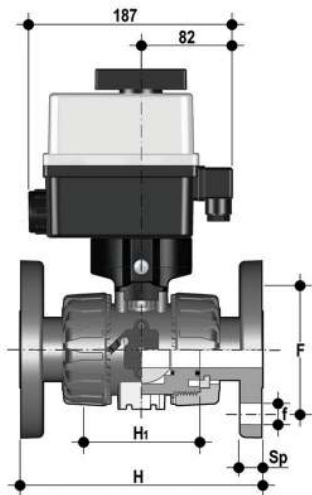


VKDOAF/CE 90-240 V AC

DUAL BLOCK® ball valve with fixed flanges, drilled ANSI B16.5 cl.150#FF with multi-volt electric actuator 90-240 V AC 50-60 Hz

d	DN	PN	H	H ₁	F	f	U	Sp	g	FKM Code
1/2"	15	16	143	65	60.3	15.9	4	11	1825	VKDOAFEM012F
3/4"	20	16	172	70	69.9	15.9	4	14	1963	VKDOAFEM034F
1"	25	16	187	78	79.4	15.9	4	14	2123	VKDOAFEM100F
1" 1/4	32	16	190	88	88.9	15.9	4	14	2491	VKDOAFEM114F
1" 1/2	40	16	212	93	98.4	15.9	4	16	2826	VKDOAFEM112F
2"	50	*10	234	111	120.7	19.1	4	16	3611	VKDOAFEM200F

* PN 16 upon request



VKDOAF/CE 24 V AC/DC

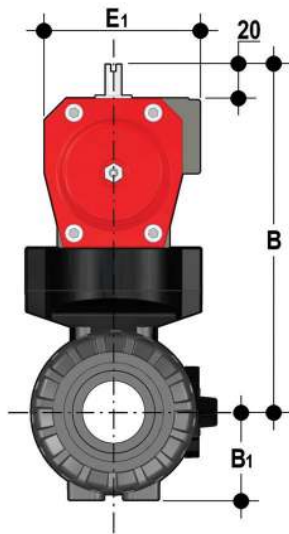
DUAL BLOCK® ball valve with fixed flanges drilled ANSI B16.5 cl.150#FF with electric actuator 24 V AC/DC

d	DN	PN	H	H ₁	F	f	U	Sp	g	FKM Code
1/2"	15	16	143	65	60.3	15.9	4	11	1825	VKDOAFEL012F
3/4"	20	16	172	70	69.9	15.9	4	14	1963	VKDOAFEL034F
1"	25	16	187	78	79.4	15.9	4	14	2123	VKDOAFEL100F
1" 1/4	32	16	190	88	88.9	15.9	4	14	2491	VKDOAFEL114F
1" 1/2	40	16	212	93	98.4	15.9	4	16	2826	VKDOAFEL112F
2"	50	*10	234	111	120.7	19.1	4	16	3611	VKDOAFEL200F

* PN 16 upon request

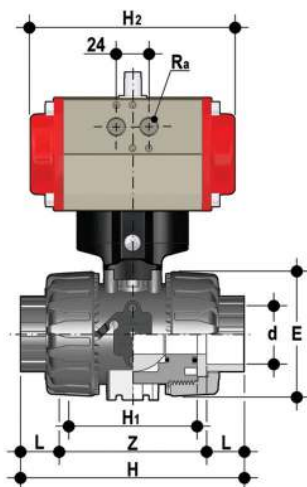
DIMENSIONS

VKD/CP DN 10÷50 PVC-U



Dimensions common to all versions

DN	B	B ₁	E ₁
10	135	29	60.5
15	135	29	60.5
20	156.5	34.5	75
25	161	39	75
32	194	46	86
40	200	52	86
50	217	52	86



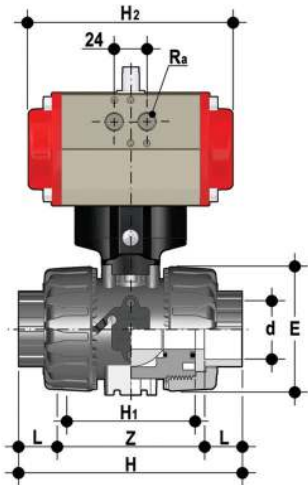
VKDIV/CP DA

DUAL BLOCK® ball valve with female ends for solvent welding, metric series with pneumatic actuator, Double-Acting function

d	DN	PN	E	H	H ₁	L	Z	H ₂	R _a	g	EPDM Code	FKM Code
16	10	16	54	103	65	14	75	160	G1/8"	1155	VKDIVDA016E	VKDIVDA016F
20	15	16	54	103	65	16	71	160	G1/8"	1145	VKDIVDA020E	VKDIVDA020F
25	20	16	65	115	70	19	77	138	G1/8"	1473	VKDIVDA025E	VKDIVDA025F
32	25	16	73	128	78	22	84	138	G1/8"	1581	VKDIVDA032E	VKDIVDA032F
40	32	16	86	146	88	26	94	155.5	G1/4"	2469	VKDIVDA040E	VKDIVDA040F
50	40	16	98	164	93	31	102	155.5	G1/4"	2701	VKDIVDA050E	VKDIVDA050F
63	50	16	122	199	111	38	123	155.5	G1/4"	3318	VKDIVDA063E	VKDIVDA063F

DIMENSIONS

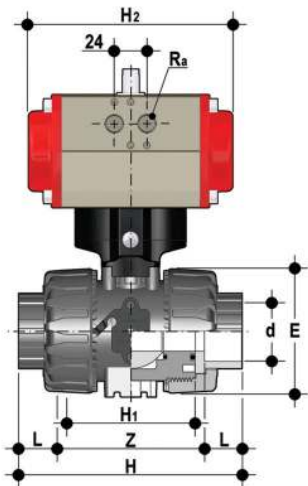
VKD/CP DN 10÷50 PVC-U



VKDIV/CP NC

DUAL BLOCK® ball valve with female ends for solvent welding, metric series with pneumatic actuator, Normally Closed function

d	DN	PN	E	H	H ₁	L	Z	H ₂	R _a	g	EPDM Code	FKM Code
16	10	16	54	103	65	14	75	160	G1/8"	1215	VKDIVNC016E	VKDIVNC016F
20	15	16	54	103	65	16	71	160	G1/8"	1205	VKDIVNC020E	VKDIVNC020F
25	20	16	65	115	70	19	77	138	G1/8"	1583	VKDIVNC025E	VKDIVNC025F
32	25	16	73	128	78	22	84	138	G1/8"	1691	VKDIVNC032E	VKDIVNC032F
40	32	16	86	146	88	26	94	155.5	G1/4"	2669	VKDIVNC040E	VKDIVNC040F
50	40	16	98	164	93	31	102	155.5	G1/4"	2901	VKDIVNC050E	VKDIVNC050F
63	50	16	122	199	111	38	123	155.5	G1/4"	3518	VKDIVNC063E	VKDIVNC063F



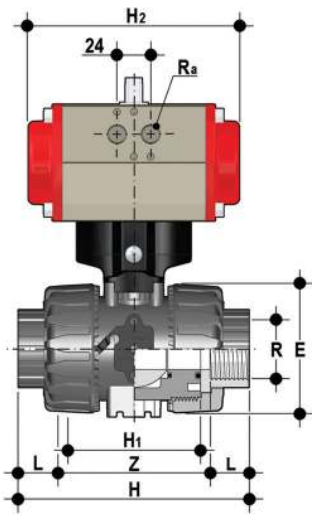
VKDIV/CP NO

DUAL BLOCK® ball valve with female ends for solvent welding, metric series with pneumatic actuator, Normally Open function

d	DN	PN	E	H	H ₁	L	Z	H ₂	R _a	g	EPDM Code	FKM Code
16	10	16	54	103	65	14	75	160	G1/8"	1215	VKDIVNO016E	VKDIVNO016F
20	15	16	54	103	65	16	71	160	G1/8"	1205	VKDIVNO020E	VKDIVNO020F
25	20	16	65	115	70	19	77	138	G1/8"	1583	VKDIVNO025E	VKDIVNO025F
32	25	16	73	128	78	22	84	138	G1/8"	1691	VKDIVNO032E	VKDIVNO032F
40	32	16	86	146	88	26	94	155.5	G1/4"	2669	VKDIVNO040E	VKDIVNO040F
50	40	16	98	164	93	31	102	155.5	G1/4"	2901	VKDIVNO050E	VKDIVNO050F
63	50	16	122	199	111	38	123	155.5	G1/4"	3518	VKDIVNO063E	VKDIVNO063F

DIMENSIONS

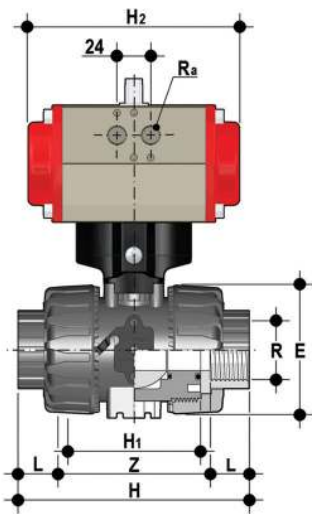
VKD/CP DN 10÷50 PVC-U



VKDFV/CP DA

DUAL BLOCK® ball valve with gas cylinder thread female ends with pneumatic actuator, Double-Acting function

R	DN	PN	E	H	H ₁	L	Z	H ₂	R _a	g	EPDM Code	FKM Code
3/8"	10	16	54	103	65	12	80	160	G1/8"	1155	VKDFVDA038E	VKDFVDA038F
1/2"	15	16	54	110	65	15	80	160	G1/8"	1145	VKDFVDA012E	VKDFVDA012F
3/4"	20	16	65	116	70	16	83	138	G1/8"	1473	VKDFVDA034E	VKDFVDA034F
1"	25	16	73	134	78	19	96	138	G1/8"	1581	VKDFVDA100E	VKDFVDA100F
1" 1/4	32	16	86	153	88	21	110	155.5	G1/4"	2469	VKDFVDA114E	VKDFVDA114F
1" 1/2	40	16	98	156	93	21	113	155.5	G1/4"	2701	VKDFVDA112E	VKDFVDA112F
2"	50	16	122	186	111	26	135	155.5	G1/4"	3318	VKDFVDA200E	VKDFVDA200F



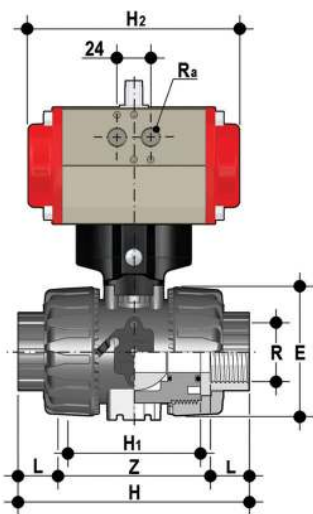
VKDFV/CP NC

DUAL BLOCK® ball valve with gas cylinder thread female ends with pneumatic actuator, Normally Closed function

R	DN	PN	E	H	H ₁	L	Z	H ₂	R _a	g	EPDM Code	FKM Code
3/8"	10	16	54	103	65	14	75	160	G1/8"	1215	VKDFVNC038E	VKDFVNC038F
1/2"	15	16	54	103	65	16	71	160	G1/8"	1205	VKDFVNC012E	VKDFVNC012F
3/4"	20	16	65	115	70	19	77	138	G1/8"	1583	VKDFVNC034E	VKDFVNC034F
1"	25	16	73	128	78	22	84	138	G1/8"	1691	VKDFVNC100E	VKDFVNC100F
1" 1/4	32	16	86	146	88	26	94	155.5	G1/4"	2669	VKDFVNC114E	VKDFVNC114F
1" 1/2	40	16	98	164	93	31	102	155.5	G1/4"	2901	VKDFVNC112E	VKDFVNC112F
2"	50	16	122	199	111	38	123	155.5	G1/4"	3518	VKDFVNC200E	VKDFVNC200F

DIMENSIONS

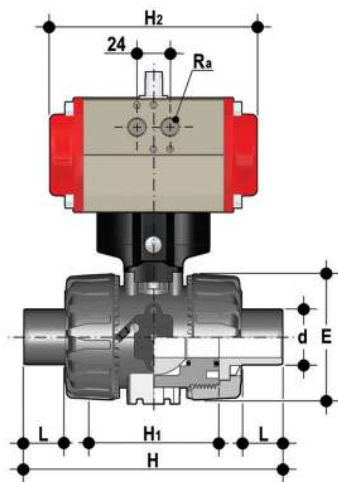
VKD/CP DN 10÷50 PVC-U



VKDFV/CP NO

DUAL BLOCK® ball valve with gas cylinder thread female ends with pneumatic actuator, Normally Open function

R	DN	PN	E	H	H ₁	L	Z	H ₂	R _a	g	EPDM Code	FKM Code
3/8"	10	16	54	103	65	14	75	160	G1/8"	1215	VKDFVNO038E	VKDFVNO038F
1/2"	15	16	54	103	65	16	71	160	G1/8"	1205	VKDFVNO012E	VKDFVNO012F
3/4"	20	16	65	115	70	19	77	138	G1/8"	1583	VKDFVNO034E	VKDFVNO034F
1"	25	16	73	128	78	22	84	138	G1/8"	1691	VKDFVNO100E	VKDFVNO100F
1" 1/4	32	16	86	146	88	26	94	155.5	G1/4"	2669	VKDFVNO114E	VKDFVNO114F
1" 1/2	40	16	98	164	93	31	102	155.5	G1/4"	2901	VKDFVNO112E	VKDFVNO112F
2"	50	16	122	199	111	38	123	155.5	G1/4"	3518	VKDFVNO200E	VKDFVNO200F



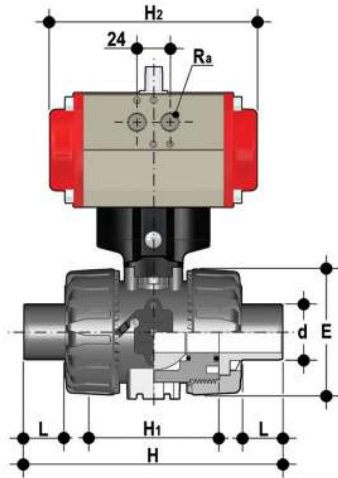
VKDDV/CP DA

DUAL BLOCK® ball valve with male ends for solvent welding, metric series with pneumatic actuator, Double-Acting function

d	DN	PN	E	H	H ₁	L	H ₂	R _a	g	EPDM Code	FKM Code
16	10	16	54	149	65	14	160	G1/8"	1155	VKDDVDA016E	VKDDVDA016F
20	15	16	54	124	65	16	160	G1/8"	1145	VKDDVDA020E	VKDDVDA020F
25	20	16	65	144	70	19	138	G1/8"	1473	VKDDVDA025E	VKDDVDA025F
32	25	16	73	154	78	22	138	G1/8"	1581	VKDDVDA032E	VKDDVDA032F
40	32	16	86	174	88	26	155.5	G1/4"	2469	VKDDVDA040E	VKDDVDA040F
50	40	16	98	194	93	31	155.5	G1/4"	2701	VKDDVDA050E	VKDDVDA050F
63	50	16	122	224	111	38	155.5	G1/4"	3318	VKDDVDA063E	VKDDVDA063F

DIMENSIONS

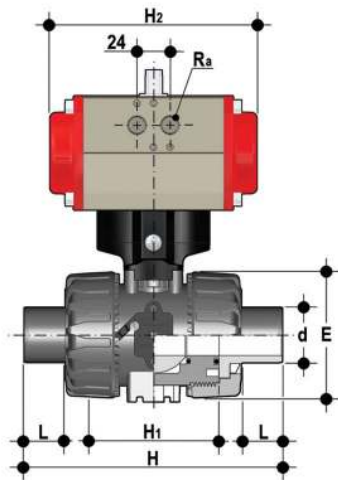
VKD/CP DN 10÷50 PVC-U



VKDDV/CP NC

DUAL BLOCK® ball valve with male ends for solvent welding, metric series with pneumatic actuator, Normally Closed function

d	DN	PN	E	H	H ₁	L	H ₂	R _a	g	EPDM Code	FKM Code
16	10	16	54	149	65	14	160	G1/8"	1215	VKDDVNC016E	VKDDVNC016F
20	15	16	54	124	65	16	160	G1/8"	1205	VKDDVNC020E	VKDDVNC020F
25	20	16	65	144	70	19	138	G1/8"	1583	VKDDVNC025E	VKDDVNC025F
32	25	16	73	154	78	22	138	G1/8"	1691	VKDDVNC032E	VKDDVNC032F
40	32	16	86	174	88	26	155.5	G1/4"	2669	VKDDVNC040E	VKDDVNC040F
50	40	16	98	194	93	31	155.5	G1/4"	2901	VKDDVNC050E	VKDDVNC050F
63	50	16	122	224	111	38	155.5	G1/4"	3518	VKDDVNC063E	VKDDVNC063F



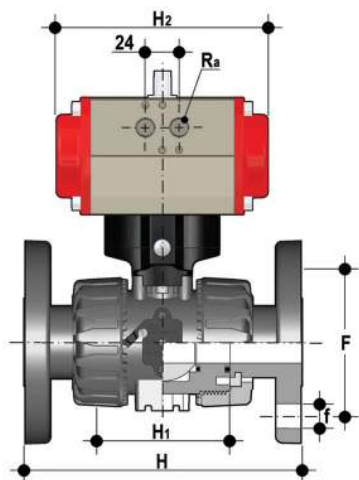
VKDDV/CP NO

DUAL BLOCK® ball valve with male ends for solvent welding, metric series with pneumatic actuator, Normally Open function

d	DN	PN	E	H	H ₁	L	H ₂	R _a	g	EPDM Code	FKM Code
16	10	16	54	149	65	14	160	G1/8"	1215	VKDDVNO016E	VKDDVNO016F
20	15	16	54	124	65	16	160	G1/8"	1205	VKDDVNO020E	VKDDVNO020F
25	20	16	65	144	70	19	138	G1/8"	1583	VKDDVNO025E	VKDDVNO025F
32	25	16	73	154	78	22	138	G1/8"	1691	VKDDVNO032E	VKDDVNO032F
40	32	16	86	174	88	26	155.5	G1/4"	2669	VKDDVNO040E	VKDDVNO040F
50	40	16	98	194	93	31	155.5	G1/4"	2901	VKDDVNO050E	VKDDVNO050F
63	50	16	122	224	111	38	155.5	G1/4"	3518	VKDDVNO063E	VKDDVNO063F

DIMENSIONS

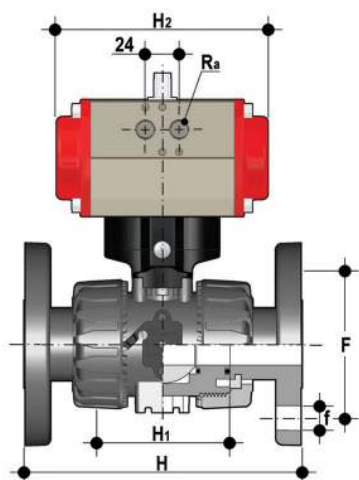
VKD/CP DN 10÷50 PVC-U



VKDOV/CP DA

DUAL BLOCK® Ball Valve with fixed flanges EN/ISO/DIN PN 10/16, face to face dimensions as per EN 558-1 with pneumatic actuator, Double-Acting function

d	DN	PN	H	H ₁	F	f	U	Sp	H ₂	R _a	g	EPDM Code	FKM Code
20	15	16	130	65	65	14	4	11	160	G1/8"	1145	VKDOVDA020E	VKDOVDA020F
25	20	16	150	70	75	14	4	14	138	G1/8"	1473	VKDOVDA025E	VKDOVDA025F
32	25	16	160	78	85	14	4	14	138	G1/8"	1581	VKDOVDA032E	VKDOVDA032F
40	32	16	180	88	100	18	4	14	155.5	G1/4"	2469	VKDOVDA040E	VKDOVDA040F
50	40	16	200	93	110	18	4	16	155.5	G1/4"	2701	VKDOVDA050E	VKDOVDA050F
63	50	16	230	111	125	18	4	16	155.5	G1/4"	3318	VKDOVDA063E	VKDOVDA063F



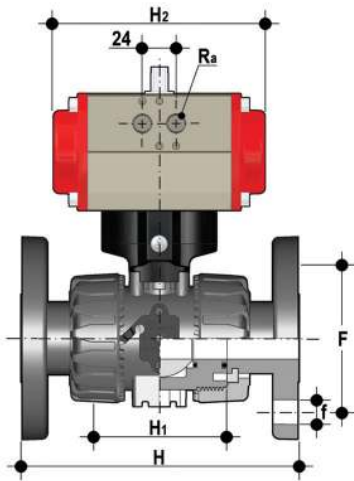
VKDOV/CP NC

DUAL BLOCK® Ball Valve with fixed flanges EN/ISO/DIN PN 10/16, face to face dimensions as per EN 558-1 with pneumatic actuator, Normally Closed function

d	DN	PN	H	H ₁	F	f	U	Sp	H ₂	R _b	g	EPDM Code	FKM Code
20	15	16	130	65	65	14	4	11	160	G1/8"	1205	VKDOVNC020E	VKDOVNC020F
25	20	16	150	70	75	14	4	14	138	G1/8"	1583	VKDOVNC025E	VKDOVNC025F
32	25	16	160	78	85	14	4	14	138	G1/8"	1691	VKDOVNC032E	VKDOVNC032F
40	32	16	180	88	100	18	4	14	155.5	G1/4"	2669	VKDOVNC040E	VKDOVNC040F
50	40	16	200	93	110	18	4	16	155.5	G1/4"	2901	VKDOVNC050E	VKDOVNC050F
63	50	16	230	111	125	18	4	16	155.5	G1/4"	3518	VKDOVNC063E	VKDOVNC063F

DIMENSIONS

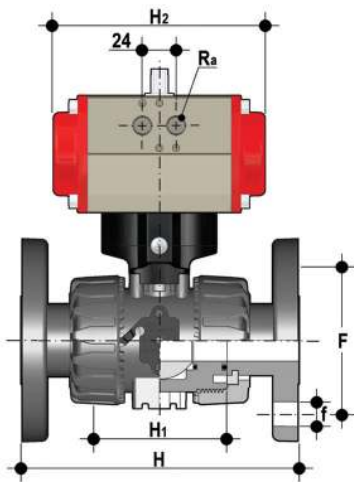
VKD/CP DN 10÷50 PVC-U



VKDOV/CP NO

DUAL BLOCK® Ball Valve with fixed flanges EN/ISO/DIN PN 10/16, face to face dimensions as per EN 558-1 with pneumatic actuator, Normally Open function

d	DN	PN	H	H ₁	F	f	U	Sp	H ₂	R _a	g	EPDM Code	FKM Code
20	15	16	130	65	65	14	4	11	160	G1/8"	1205	VKDOVNO020E	VKDOVNO020F
25	20	16	150	70	75	14	4	14	138	G1/8"	1583	VKDOVNO025E	VKDOVNO025F
32	25	16	160	78	85	14	4	14	138	G1/8"	1691	VKDOVNO032E	VKDOVNO032F
40	32	16	180	88	100	18	4	14	155.5	G1/4"	2669	VKDOVNO040E	VKDOVNO040F
50	40	16	200	93	110	18	4	16	155.5	G1/4"	2901	VKDOVNO050E	VKDOVNO050F
63	50	16	230	111	125	18	4	16	155.5	G1/4"	3518	VKDOVNO063E	VKDOVNO063F



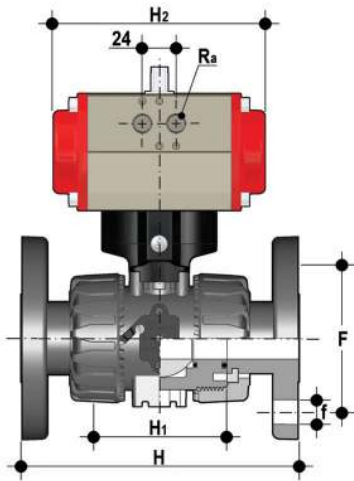
VKDOAV/CP DA

DUAL BLOCK® ball valve with fixed flanges drilled ANSI B16.5 cl.150#FF with pneumatic actuator, Double-Acting function

d	DN	PN	H	H ₁	F	f	U	Sp	H ₂	R _a	g	EPDM Code	FKM Code
1/2"	15	16	143	65	60.3	15.9	4	11	160	G1/8"	1145	VKDOAVDA012E	VKDOAVDA012F
3/4"	20	16	172	70	69.9	15.9	4	14	138	G1/8"	1473	VKDOAVDA034E	VKDOAVDA034F
1"	25	16	187	78	79.4	15.9	4	14	138	G1/8"	1581	VKDOAVDA100E	VKDOAVDA100F
1" 1/4	32	16	190	88	88.9	15.9	4	14	155.5	G1/4"	2469	VKDOAVDA114E	VKDOAVDA114F
1" 1/2	40	16	212	93	98.4	15.9	4	16	155.5	G1/4"	2701	VKDOAVDA112E	VKDOAVDA112F
2"	50	16	234	111	120.7	19.1	4	16	155.5	G1/4"	3318	VKDOAVDA200E	VKDOAVDA200F

DIMENSIONS

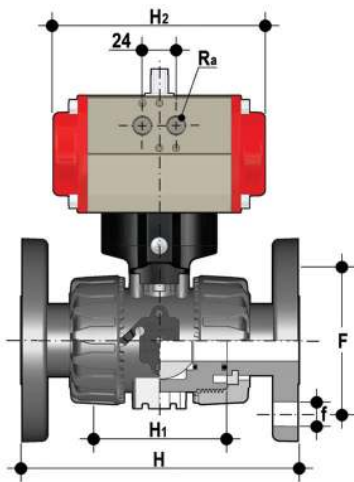
VKD/CP DN 10÷50 PVC-U



VKDOAV/CP NC

DUAL BLOCK® ball valve with fixed flanges drilled ANSI B16.5 cl.150#FF with pneumatic actuator, Normally Closed function

d	DN	PN	H	H ₁	F	f	U	Sp	H ₂	R _a	g	EPDM Code	FKM Code
1/2"	15	16	143	65	60.3	15.9	4	11	160	G1/8"	1205	VKDOAVNC012E	VKDOAVNC012F
3/4"	20	16	172	70	69.9	15.9	4	14	138	G1/8"	1583	VKDOAVNC034E	VKDOAVNC034F
1"	25	16	187	78	79.4	15.9	4	14	138	G1/8"	1691	VKDOAVNC100E	VKDOAVNC100F
1" 1/4	32	16	190	88	88.9	15.9	4	14	155.5	G1/4"	2669	VKDOAVNC114E	VKDOAVNC114F
1" 1/2	40	16	212	93	98.4	15.9	4	16	155.5	G1/4"	2901	VKDOAVNC112E	VKDOAVNC112F
2"	50	16	234	111	120.7	19.1	4	16	155.5	G1/4"	3518	VKDOAVNC200E	VKDOAVNC200F



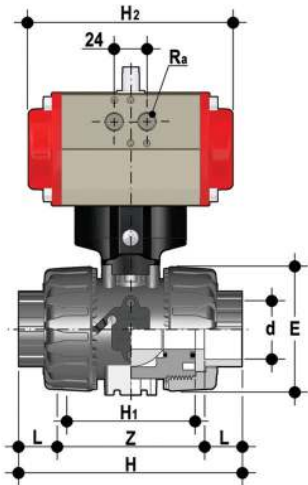
VKDOAV/CP NO

DUAL BLOCK® ball valve with fixed flanges drilled ANSI B16.5 cl.150#FF with pneumatic actuator, Normally Open function

d	DN	PN	H	H ₁	F	f	U	Sp	H ₂	R _b	g	EPDM Code	FKM Code
1/2"	15	16	143	65	60.3	15.9	4	11	160	G1/8"	1205	VKDOAVNO012E	VKDOAVNO012F
3/4"	20	16	172	70	69.9	15.9	4	14	138	G1/8"	1583	VKDOAVNO034E	VKDOAVNO034F
1"	25	16	187	78	79.4	15.9	4	14	138	G1/8"	1691	VKDOAVNO100E	VKDOAVNO100F
1" 1/4	32	16	190	88	88.9	15.9	4	14	155.5	G1/4"	2669	VKDOAVNO114E	VKDOAVNO114F
1" 1/2	40	16	212	93	98.4	15.9	4	16	155.5	G1/4"	2901	VKDOAVNO112E	VKDOAVNO112F
2"	50	16	234	111	120.7	19.1	4	16	155.5	G1/4"	3518	VKDOAVNO200E	VKDOAVNO200F

DIMENSIONS

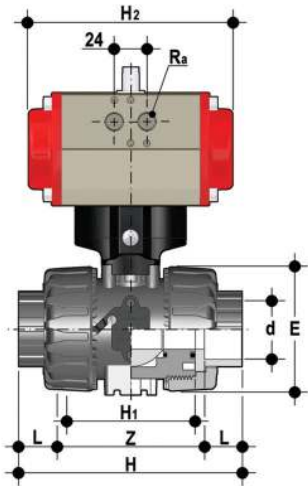
VKD/CP DN 10÷50 PVC-U



VKDLV/CP DA

Two way DUAL BLOCK® ball valve with female ends for solvent welding, BS series with pneumatic actuator, Double-Acting function

R	DN	PN	E	H	H ₁	L	Z	H ₂	R _a	g	EPDM Code	FKM Code
3/8"	10	16	54	103	65	14.5	74	160	G1/8"	1155	VKDLVDA038E	VKDLVDA038F
1/2"	15	16	54	110	65	16.5	70	160	G1/8"	1145	VKDLVDA012E	VKDLVDA012F
3/4"	20	16	65	116	70	19	77	138	G1/8"	1473	VKDLVDA034E	VKDLVDA034F
1"	25	16	73	134	78	22.5	83	138	G1/8"	1581	VKDLVDA100E	VKDLVDA100F
1" 1/4	32	16	86	153	88	26	94	155.5	G1/4"	2469	VKDLVDA114E	VKDLVDA114F
1" 1/2	40	16	98	156	93	30	104	155.5	G1/4"	2701	VKDLVDA112E	VKDLVDA112F
2"	50	16	122	186	111	36	127	155.5	G1/4"	3318	VKDLVDA200E	VKDLVDA200F



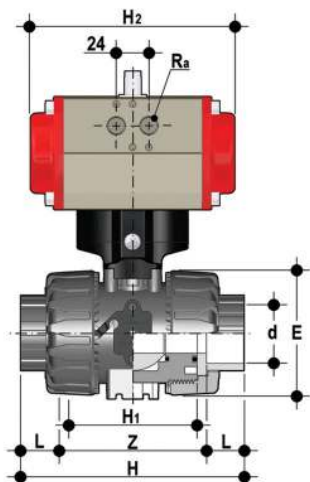
VKDLV/CP NC

Two way DUAL BLOCK® ball valve with female ends for solvent welding, BS series with pneumatic actuator, Normally Closed function

R	DN	PN	E	H	H ₁	L	Z	H ₂	R _a	g	EPDM Code	FKM Code
3/8"	10	16	54	103	65	14.5	74	160	G1/8"	1215	VKDLVNC038E	VKDLVNC038F
1/2"	15	16	54	110	65	16.5	70	160	G1/8"	1205	VKDLVNC012E	VKDLVNC012F
3/4"	20	16	65	116	70	19	77	138	G1/8"	1583	VKDLVNC034E	VKDLVNC034F
1"	25	16	73	134	78	22.5	83	138	G1/8"	1691	VKDLVNC100E	VKDLVNC100F
1" 1/4	32	16	86	153	88	26	94	155.5	G1/4"	2669	VKDLVNC114E	VKDLVNC114F
1" 1/2	40	16	98	156	93	30	104	155.5	G1/4"	2901	VKDLVNC112E	VKDLVNC112F
2"	50	16	122	186	111	36	127	155.5	G1/4"	3518	VKDLVNC200E	VKDLVNC200F

DIMENSIONS

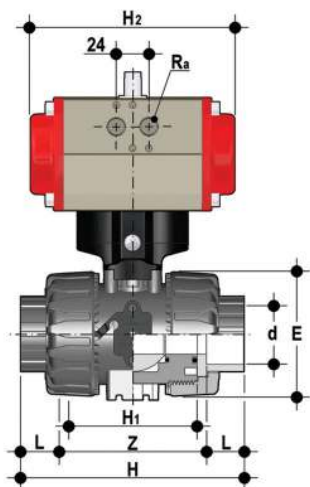
VKD/CP DN 10÷50 PVC-U



VKDLV/CP NO

Two way DUAL BLOCK® ball valve with female ends for solvent welding, BS series with pneumatic actuator, Normally Open function

R	DN	PN	E	H	H ₁	L	Z	H ₂	R _a	g	EPDM Code	FKM Code
3/8"	10	16	54	103	65	14.5	74	160	G1/8"	1215	VKDLVNO038E	VKDLVNO038F
1/2"	15	16	54	110	65	16.5	70	160	G1/8"	1205	VKDLVNO012E	VKDLVNO012F
3/4"	20	16	65	116	70	19	77	138	G1/8"	1583	VKDLVNO034E	VKDLVNO034F
1"	25	16	73	134	78	22.5	83	138	G1/8"	1691	VKDLVNO100E	VKDLVNO100F
1" 1/4	32	16	86	153	88	26	94	155.5	G1/4"	2669	VKDLVNO114E	VKDLVNO114F
1" 1/2	40	16	98	156	93	30	104	155.5	G1/4"	2901	VKDLVNO112E	VKDLVNO112F
2"	50	16	122	186	111	36	127	155.5	G1/4"	3518	VKDLVNO200E	VKDLVNO200F



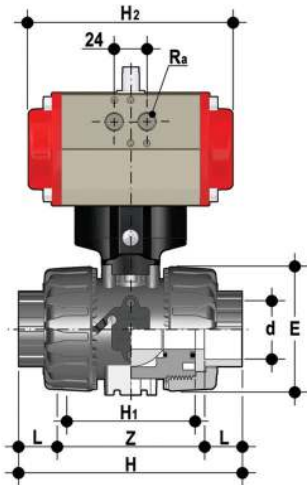
VKDAV/CP DA

Two way DUAL BLOCK® ball valve with female ends for solvent welding, ASTM series with pneumatic actuator, Double-Acting function

d	DN	PN	E	H	H ₁	L	Z	H ₂	R _a	g	EPDM Code	FKM Code
3/8"	10	16	54	117	65	19.5	78	160	G1/8"	1155	VKDAVDA038E	VKDAVDA038F
1/2"	15	16	54	117	65	22.5	72	160	G1/8"	1145	VKDAVDA012E	VKDAVDA012F
3/4"	20	16	65	129	70	25.5	78	138	G1/8"	1473	VKDAVDA034E	VKDAVDA034F
1"	25	16	73	142	78	28.7	84.6	138	G1/8"	1581	VKDAVDA100E	VKDAVDA100F
1" 1/4	32	16	86	162	88	32	98	155.5	G1/4"	2469	VKDAVDA114E	VKDAVDA114F
1" 1/2	40	16	98	172	93	35	102	155.5	G1/4"	2701	VKDAVDA112E	VKDAVDA112F
2"	50	16	122	199	111	38.2	122.6	155.5	G1/4"	3318	VKDAVDA200E	VKDAVDA200F

DIMENSIONS

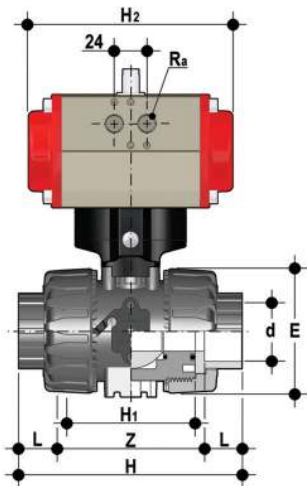
VKD/CP DN 10÷50 PVC-U



VKDAV/CP NC

Two way DUAL BLOCK® ball valve with female ends for solvent welding, ASTM series with pneumatic actuator, Normally Closed function

d	DN	PN	E	H	H ₁	L	Z	H ₂	R _a	g	EPDM Code	FKM Code
3/8"	10	16	54	117	65	19.5	78	160	G1/8"	1215	VKDAVNC038E	VKDAVNC038F
1/2"	15	16	54	117	65	22.5	72	160	G1/8"	1205	VKDAVNC012E	VKDAVNC012F
3/4"	20	16	65	129	70	25.5	78	138	G1/8"	1583	VKDAVNC034E	VKDAVNC034F
1"	25	16	73	142	78	28.7	84.6	138	G1/8"	1691	VKDAVNC100E	VKDAVNC100F
1" 1/4	32	16	86	162	88	32	98	155.5	G1/4"	2669	VKDAVNC114E	VKDAVNC114F
1" 1/2	40	16	98	172	93	35	102	155.5	G1/4"	2901	VKDAVNC112E	VKDAVNC112F
2"	50	16	122	199	111	38.2	122.6	155.5	G1/4"	3518	VKDAVNC200E	VKDAVNC200F



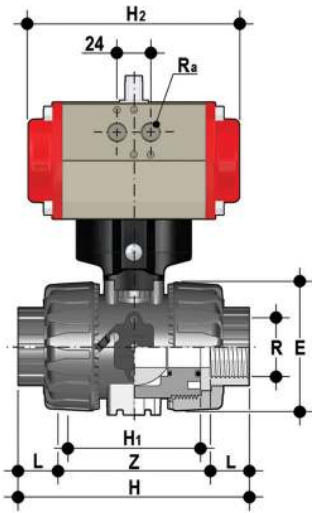
VKDAV/CP NO

Two way DUAL BLOCK® ball valve with female ends for solvent welding, ASTM series with pneumatic actuator, Normally Open function

d	DN	PN	E	H	H ₁	L	Z	H ₂	R _a	g	EPDM Code	FKM Code
3/8"	10	16	54	117	65	19.5	78	160	G1/8"	1215	VKDAVNO038E	VKDAVNO038F
1/2"	15	16	54	117	65	22.5	72	160	G1/8"	1205	VKDAVNO012E	VKDAVNO012F
3/4"	20	16	65	129	70	25.5	78	138	G1/8"	1583	VKDAVNO034E	VKDAVNO034F
1"	25	16	73	142	78	28.7	84.6	138	G1/8"	1691	VKDAVNO100E	VKDAVNO100F
1" 1/4	32	16	86	162	88	32	98	155.5	G1/4"	2669	VKDAVNO114E	VKDAVNO114F
1" 1/2	40	16	98	172	93	35	102	155.5	G1/4"	2901	VKDAVNO112E	VKDAVNO112F
2"	50	16	122	199	111	38.2	122.6	155.5	G1/4"	3518	VKDAVNO200E	VKDAVNO200F

DIMENSIONS

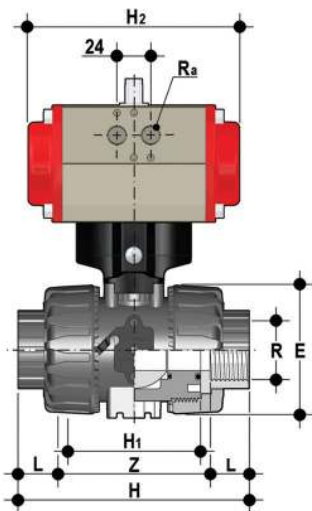
VKD/CP DN 10÷50 PVC-U



VKDNV/CP DA

Two way DUAL BLOCK® ball valve with NPT thread female ends with pneumatic actuator, Double-Acting function

R	DN	PN	E	H	H ₁	L	Z	H ₂	R _a	g	EPDM Code	FKM Code
3/8"	10	16	54	103	65	13.7	75.6	160	G1/8"	1155	VKDNVDA038E	VKDNVDA038F
1/2"	15	16	54	111	65	17.8	75.4	160	G1/8"	1145	VKDNVDA012E	VKDNVDA012F
3/4"	20	16	65	117	70	18	81	138	G1/8"	1473	VKDNVDA034E	VKDNVDA034F
1"	25	16	73	135	78	22.6	89.8	138	G1/8"	1581	VKDNVDA100E	VKDNVDA100F
1" 1/4	32	16	86	153	88	25.1	102.8	155.5	G1/4"	2469	VKDNVDA114E	VKDNVDA114F
1" 1/2	40	16	98	156	93	24.7	106.6	155.5	G1/4"	2701	VKDNVDA112E	VKDNVDA112F
2"	50	16	122	186	111	29.6	126.8	155.5	G1/4"	3318	VKDNVDA200E	VKDNVDA200F



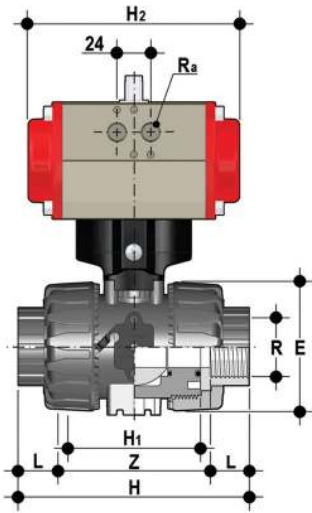
VKDNV/CP NC

Two way DUAL BLOCK® ball valve with NPT thread female ends with pneumatic actuator, Normally Closed function

R	DN	PN	E	H	H ₁	L	Z	H ₂	R _a	g	EPDM Code	FKM Code
3/8"	10	16	54	103	65	13.7	75.6	160	G1/8"	1215	VKDNVNC038E	VKDNVNC038F
1/2"	15	16	54	111	65	17.8	75.4	160	G1/8"	1205	VKDNVNC012E	VKDNVNC012F
3/4"	20	16	65	117	70	18	81	138	G1/8"	1583	VKDNVNC034E	VKDNVNC034F
1"	25	16	73	135	78	22.6	89.8	138	G1/8"	1691	VKDNVNC100E	VKDNVNC100F
1" 1/4	32	16	86	153	88	25.1	102.8	155.5	G1/4"	2669	VKDNVNC114E	VKDNVNC114F
1" 1/2	40	16	98	156	93	24.7	106.6	155.5	G1/4"	2901	VKDNVNC112E	VKDNVNC112F
2"	50	16	122	186	111	29.6	126.8	155.5	G1/4"	3518	VKDNVNC200E	VKDNVNC200F

DIMENSIONS

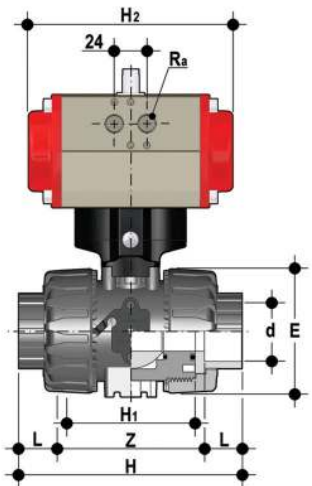
VKD/CP DN 10÷50 PVC-U



VKDNV/CP NO

Two way DUAL BLOCK® ball valve with NPT thread female ends with pneumatic actuator, Normally Open function

R	DN	PN	E	H	H ₁	L	Z	H ₂	R ₂	g	EPDM Code	FKM Code
3/8"	10	16	54	103	65	13.7	75.6	160	G1/8"	1215	VKDNVNO038E	VKDNVNO038F
1/2"	15	16	54	111	65	17.8	75.4	160	G1/8"	1205	VKDNVNO012E	VKDNVNO012F
3/4"	20	16	65	117	70	18	81	138	G1/8"	1583	VKDNVNO034E	VKDNVNO034F
1"	25	16	73	135	78	22.6	89.8	138	G1/8"	1691	VKDNVNO100E	VKDNVNO100F
1" 1/4	32	16	86	153	88	25.1	102.8	155.5	G1/4"	2669	VKDNVNO114E	VKDNVNO114F
1" 1/2	40	16	98	156	93	24.7	106.6	155.5	G1/4"	2901	VKDNVNO112E	VKDNVNO112F
2"	50	16	122	186	111	29.6	126.8	155.5	G1/4"	3518	VKDNVNO200E	VKDNVNO200F



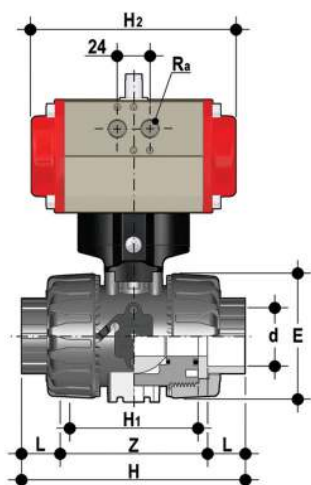
VKDJV/CP DA

Two way DUAL BLOCK® ball valve with female ends for solvent welding, JIS series with pneumatic actuator, Double-Acting function

d	DN	PN	E	H	H ₁	L	Z	H ₂	R ₂	g	EPDM Code	FKM Code
1/2"	15	16	54	131	65	30	71	160	G1/8"	1145	VKDJVDA012E	VKDJVDA012F
3/4"	20	16	65	147	70	35	77	138	G1/8"	1473	VKDJVDA034E	VKDJVDA034F
1"	25	16	73	164	78	40	84	138	G1/8"	1581	VKDJVDA100E	VKDJVDA100F
1" 1/4	32	16	86	182	88	44	94	155.5	G1/4"	2469	VKDJVDA114E	VKDJVDA114F
1" 1/2	40	16	98	212	93	55	102	155.5	G1/4"	2701	VKDJVDA112E	VKDJVDA112F
2"	50	16	122	248	111	63	122	155.5	G1/4"	3318	VKDJVDA200E	VKDJVDA200F

DIMENSIONS

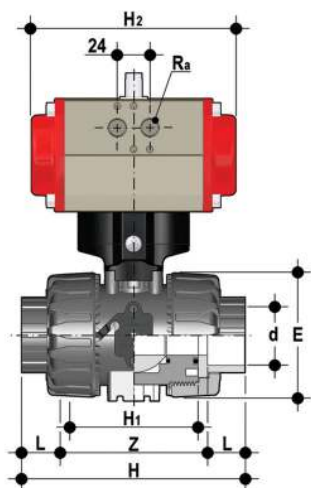
VKD/CP DN 10÷50 PVC-U



VKDJV/CP NC

Two way DUAL BLOCK® ball valve with female ends for solvent welding, JIS series with pneumatic actuator, Normally Closed function

d	DN	PN	E	H	H ₁	L	Z	H ₂	R _a	g	EPDM Code	FKM Code
1/2"	15	16	54	131	65	30	71	160	G1/8"	1205	VKDJVNC012E	VKDJVNC012F
3/4"	20	16	65	147	70	35	77	138	G1/8"	1583	VKDJVNC034E	VKDJVNC034F
1"	25	16	73	164	78	40	84	138	G1/8"	1691	VKDJVNC100E	VKDJVNC100F
1" 1/4	32	16	86	182	88	44	94	155.5	G1/4"	2669	VKDJVNC114E	VKDJVNC114F
1" 1/2	40	16	98	212	93	55	102	155.5	G1/4"	2901	VKDJVNC112E	VKDJVNC112F
2"	50	16	122	248	111	63	122	155.5	G1/4"	3518	VKDJVNC200E	VKDJVNC200F



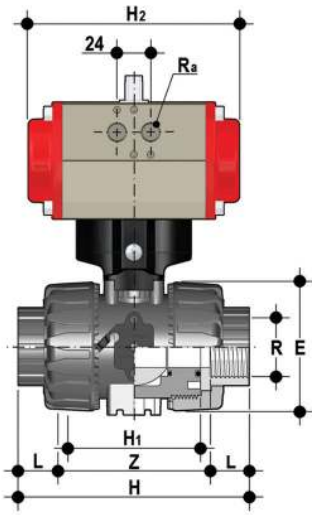
VKDJV/CP NO

Two way DUAL BLOCK® ball valve with female ends for solvent welding, JIS series with pneumatic actuator, Normally Open function

d	DN	PN	H	H ₁	F	f	U	Sp	H ₂	R _a	g	EPDM Code	FKM Code
1/2"	15	16	54	131	65	30	71	160	G1/8"	135	1205	VKDJVNO012E	VKDJVNO012F
3/4"	20	16	65	147	70	35	77	138	G1/8"	156.5	1583	VKDJVNO034E	VKDJVNO034F
1"	25	16	73	164	78	40	84	138	G1/8"	161	1691	VKDJVNO100E	VKDJVNO100F
1" 1/4	32	16	86	182	88	44	94	155.5	G1/4"	194	2669	VKDJVNO114E	VKDJVNO114F
1" 1/2	40	16	98	212	93	55	102	155.5	G1/4"	200	2901	VKDJVNO112E	VKDJVNO112F
2"	50	16	122	248	111	63	122	155.5	G1/4"	217	3518	VKDJVNO200E	VKDJVNO200F

DIMENSIONS

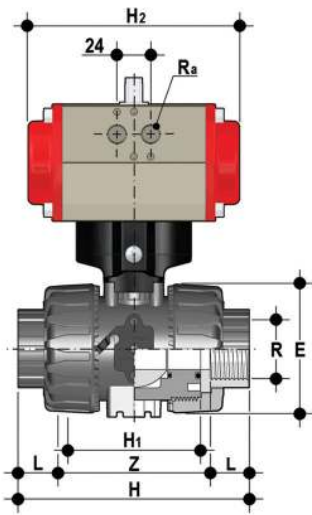
VKD/CP DN 10÷50 PVC-U



VKDG/CP DA

Two way DUAL BLOCK® ball valve with JIS thread female ends with pneumatic actuator, Double-Acting function

R	DN	PN	E	H	H ₁	L	Z	H ₂	R _a	g	EPDM Code	FKM Code
1/2"	15	16	54	103	65	16	71	160	G1/8"	1145	VKDGVDA012E	VKDGVDA012F
3/4"	20	16	65	115	70	19	77	138	G1/8"	1473	VKDGVDA034E	VKDGVDA034F
1"	25	16	73	128	78	22	84	138	G1/8"	1581	VKDGVDA100E	VKDGVDA100F
1" 1/4	32	16	86	146	88	25	96	155.5	G1/4"	2469	VKDGVDA114E	VKDGVDA114F
1" 1/2	40	16	98	164	93	26	112	155.5	G1/4"	2701	VKDGVDA112E	VKDGVDA112F
2"	50	16	122	199	111	31	137	155.5	G1/4"	3318	VKDGVDA200E	VKDGVDA200F



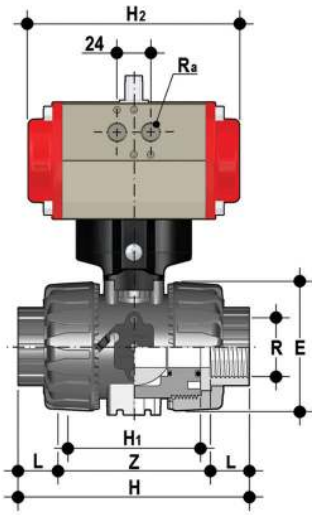
VKDG/CP NC

Two way DUAL BLOCK® ball valve with JIS thread female ends with pneumatic actuator, Normally Closed function

R	DN	PN	E	H	H ₁	L	Z	H ₂	R _a	g	EPDM Code	FKM Code
1/2"	15	16	54	103	65	16	71	160	G1/8"	1205	VKDGVNC012E	VKDGVNC012F
3/4"	20	16	65	115	70	19	77	138	G1/8"	1583	VKDGVNC034E	VKDGVNC034F
1"	25	16	73	128	78	22	84	138	G1/8"	1691	VKDGVNC100E	VKDGVNC100F
1" 1/4	32	16	86	146	88	25	96	155.5	G1/4"	2669	VKDGVNC114E	VKDGVNC114F
1" 1/2	40	16	98	164	93	26	112	155.5	G1/4"	2901	VKDGVNC112E	VKDGVNC112F
2"	50	16	122	199	111	31	137	155.5	G1/4"	3518	VKDGVNC200E	VKDGVNC200F

DIMENSIONS

VKD/CP DN 10÷50 PVC-U



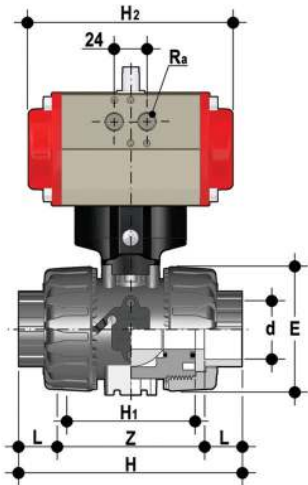
VKDG/CP NO

Two way DUAL BLOCK® ball valve with JIS thread female ends with pneumatic actuator, Normally Open function

R	DN	PN	E	H	H ₁	L	Z	H ₂	R _a	g	EPDM Code	FKM Code
1/2"	15	16	54	103	65	16	71	160	G1/8"	1205	VKDGVNO012E	VKDGVNO012F
3/4"	20	16	65	115	70	19	77	138	G1/8"	1583	VKDGVNO034E	VKDGVNO034F
1"	25	16	73	128	78	22	84	138	G1/8"	1691	VKDGVNO100E	VKDGVNO100F
1" 1/4	32	16	86	146	88	25	96	155.5	G1/4"	2669	VKDGVNO114E	VKDGVNO114F
1" 1/2	40	16	98	164	93	26	112	155.5	G1/4"	2901	VKDGVNO112E	VKDGVNO112F
2"	50	16	122	199	111	31	137	155.5	G1/4"	3518	VKDGVNO200E	VKDGVNO200F

DIMENSIONS

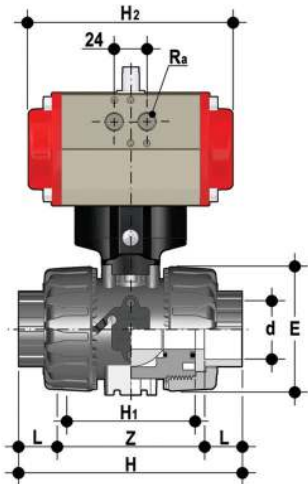
VKD/CP DN 10÷50 PVC-C



VKDIC/CP DA

DUAL BLOCK® ball valve with female ends for solvent welding, metric series with pneumatic actuator, Double-Acting function

d	DN	PN	E	H	H ₁	L	Z	H ₂	R _a	g	EPDM Code	FKM Code
16	10	16	54	103	65	14	75	160	G1/8"	1168	VKDICDA016E	VKDICDA016F
20	15	16	54	103	65	16	71	160	G1/8"	1162	VKDICDA020E	VKDICDA020F
25	20	16	65	115	70	19	77	138	G1/8"	1493	VKDICDA025E	VKDICDA025F
32	25	16	73	128	78	22	84	138	G1/8"	1613	VKDICDA032E	VKDICDA032F
40	32	16	86	146	88	26	94	155.5	G1/4"	2500	VKDICDA040E	VKDICDA040F
50	40	16	98	164	93	31	102	155.5	G1/4"	2788	VKDICDA050E	VKDICDA050F
63	50	16	122	199	111	38	123	155.5	G1/4"	3411	VKDICDA063E	VKDICDA063F



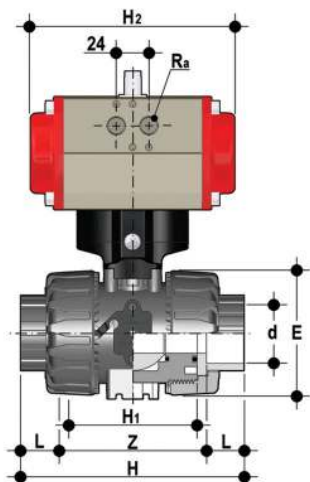
VKDIC/CP NC

DUAL BLOCK® ball valve with female ends for solvent welding, metric series with pneumatic actuator, Normally Closed function

d	DN	PN	E	H	H ₁	L	Z	H ₂	R _a	g	EPDM Code	FKM Code
16	10	16	54	103	65	14	75	160	G1/8"	1228	VKDINC016E	VKDINC016F
20	15	16	54	103	65	16	71	160	G1/8"	1222	VKDINC020E	VKDINC020F
25	20	16	65	115	70	19	77	138	G1/8"	1603	VKDINC025E	VKDINC025F
32	25	16	73	128	78	22	84	138	G1/8"	1723	VKDINC032E	VKDINC032F
40	32	16	86	146	88	26	94	155.5	G1/4"	2700	VKDINC040E	VKDINC040F
50	40	16	98	164	93	31	102	155.5	G1/4"	2988	VKDINC050E	VKDINC050F
63	50	16	122	199	111	38	123	155.5	G1/4"	3611	VKDINC063E	VKDINC063F

DIMENSIONS

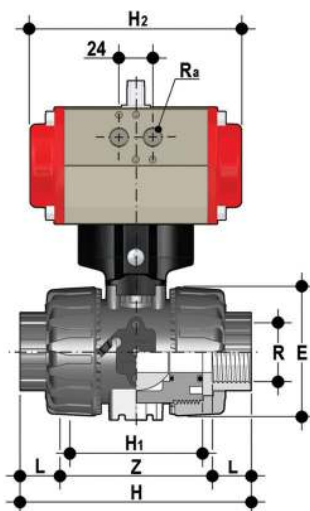
VKD/CP DN 10÷50 PVC-C



VKDIC/CP NO

DUAL BLOCK® ball valve with female ends for solvent welding, metric series with pneumatic actuator, Normally Open function

d	DN	PN	E	H	H ₁	L	Z	H ₂	R _a	g	EPDM Code	FKM Code
16	10	16	54	103	65	14	75	160	G1/8"	1228	VKDICNO016E	VKDICNO016F
20	15	16	54	103	65	16	71	160	G1/8"	1222	VKDICNO020E	VKDICNO020F
25	20	16	65	115	70	19	77	138	G1/8"	1603	VKDICNO025E	VKDICNO025F
32	25	16	73	128	78	22	84	138	G1/8"	1723	VKDICNO032E	VKDICNO032F
40	32	16	86	146	88	26	94	155.5	G1/4"	2700	VKDICNO040E	VKDICNO040F
50	40	16	98	164	93	31	102	155.5	G1/4"	2988	VKDICNO050E	VKDICNO050F
63	50	16	122	199	111	38	123	155.5	G1/4"	3611	VKDICNO063E	VKDICNO063F



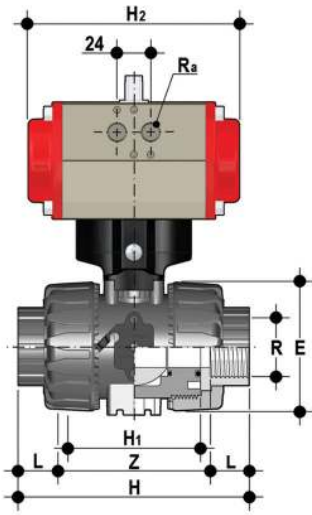
VKDNC/CP DA

Two way DUAL BLOCK® ball valve with NPT thread female ends with pneumatic actuator, Double-Acting function

R	DN	PN	E	H	H ₁	L	Z	H ₂	R _a	g	EPDM Code	FKM Code
3/8"	10	16	54	103	65	13.7	75.6	160	G1/8"	1168	VKDNCDA038E	VKDNCDA038F
1/2"	15	16	54	111	65	17.8	75.4	160	G1/8"	1162	VKDNCDA012E	VKDNCDA012F
3/4"	20	16	65	117	70	18	81	138	G1/8"	1493	VKDNCDA034E	VKDNCDA034F
1"	25	16	73	135	78	22.6	89.8	138	G1/8"	1613	VKDNCDA100E	VKDNCDA100F
1" 1/4	32	16	86	153	88	25.1	102.8	155.5	G1/4"	2500	VKDNCDA114E	VKDNCDA114F
1" 1/2	40	16	98	156	93	24.7	106.6	155.5	G1/4"	2788	VKDNCDA112E	VKDNCDA112F
2"	50	16	122	186	111	29.6	126.8	155.5	G1/4"	3411	VKDNCDA200E	VKDNCDA200F

DIMENSIONS

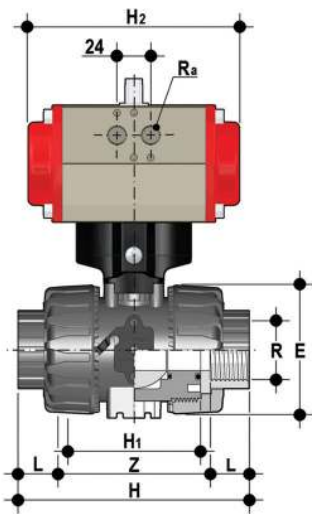
VKD/CP DN 10÷50 PVC-C



VKDNC/CP NC

Two way DUAL BLOCK® ball valve with NPT thread female ends with pneumatic actuator, Normally Closed function

R	DN	PN	E	H	H ₁	L	Z	H ₂	R _a	g	EPDM Code	FKM Code
3/8"	10	16	54	103	65	13.7	75.6	160	G1/8"	1228	VKDNCNC038E	VKDNCNC038F
1/2"	15	16	54	111	65	17.8	75.4	160	G1/8"	1222	VKDNCNC012E	VKDNCNC012F
3/4"	20	16	65	117	70	18	81	138	G1/8"	1603	VKDNCNC034E	VKDNCNC034F
1"	25	16	73	135	78	22.6	89.8	138	G1/8"	1723	VKDNCNC100E	VKDNCNC100F
1" 1/4	32	16	86	153	88	25.1	102.8	155.5	G1/4"	2700	VKDNCNC114E	VKDNCNC114F
1" 1/2	40	16	98	156	93	24.7	106.6	155.5	G1/4"	2988	VKDNCNC112E	VKDNCNC112F
2"	50	16	122	186	111	29.6	126.8	155.5	G1/4"	3611	VKDNCNC200E	VKDNCNC200F



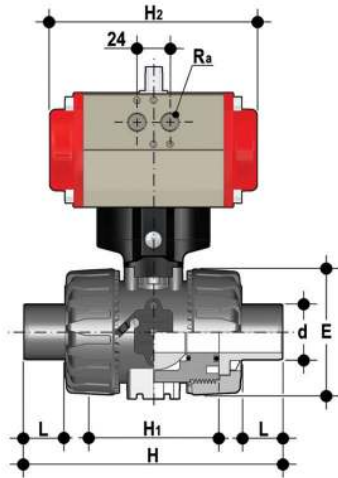
VKDNC/CP NO

Two way DUAL BLOCK® ball valve with NPT thread female ends with pneumatic actuator, Normally Open function

R	DN	PN	E	H	H ₁	L	Z	H ₂	R _a	g	EPDM Code	FKM Code
3/8"	10	16	54	103	65	13.7	75.6	160	G1/8"	1228	VKDNCNO038E	VKDNCNO038F
1/2"	15	16	54	111	65	17.8	75.4	160	G1/8"	1222	VKDNCNO012E	VKDNCNO012F
3/4"	20	16	65	117	70	18	81	138	G1/8"	1603	VKDNCNO034E	VKDNCNO034F
1"	25	16	73	135	78	22.6	89.8	138	G1/8"	1723	VKDNCNO100E	VKDNCNO100F
1" 1/4	32	16	86	153	88	25.1	102.8	155.5	G1/4"	2700	VKDNCNO114E	VKDNCNO114F
1" 1/2	40	16	98	156	93	24.7	106.6	155.5	G1/4"	2988	VKDNCNO112E	VKDNCNO112F
2"	50	16	122	186	111	29.6	126.8	155.5	G1/4"	3611	VKDNCNO200E	VKDNCNO200F

DIMENSIONS

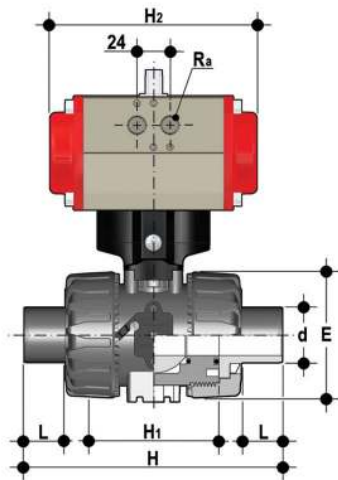
VKD/CP DN 10÷50 PVC-C



VKDDC/CP DA

DUAL BLOCK® ball valve with male ends for solvent welding, metric series with pneumatic actuator, Double-Acting function

d	DN	PN	E	H	H ₁	L	H ₂	R _a	g	EPDM Code	FKM Code
16	10	16	54	149	65	14	160	G1/8"	1168	VKDDCDA016E	VKDDCDA016F
20	15	16	54	124	65	16	160	G1/8"	1162	VKDDCDA020E	VKDDCDA020F
25	20	16	65	144	70	19	138	G1/8"	1493	VKDDCDA025E	VKDDCDA025F
32	25	16	73	154	78	22	138	G1/8"	1613	VKDDCDA032E	VKDDCDA032F
40	32	16	86	174	88	26	155.5	G1/4"	2500	VKDDCDA040E	VKDDCDA040F
50	40	16	98	194	93	31	155.5	G1/4"	2788	VKDDCDA050E	VKDDCDA050F
63	50	16	122	224	111	38	155.5	G1/4"	3411	VKDDCDA063E	VKDDCDA063F



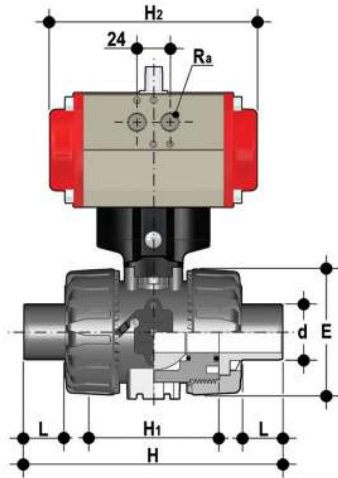
VKDDC/CP NC

DUAL BLOCK® ball valve with male ends for solvent welding, metric series with pneumatic actuator, Normally Closed function

d	DN	PN	E	H	H ₁	L	H ₂	R _a	g	EPDM Code	FKM Code
16	10	16	54	149	65	14	160	G1/8"	1228	VKDDCNC016E	VKDDCNC016F
20	15	16	54	124	65	16	160	G1/8"	1222	VKDDCNC020E	VKDDCNC020F
25	20	16	65	144	70	19	138	G1/8"	1603	VKDDCNC025E	VKDDCNC025F
32	25	16	73	154	78	22	138	G1/8"	1723	VKDDCNC032E	VKDDCNC032F
40	32	16	86	174	88	26	155.5	G1/4"	2700	VKDDCNC040E	VKDDCNC040F
50	40	16	98	194	93	31	155.5	G1/4"	2988	VKDDCNC050E	VKDDCNC050F
63	50	16	122	224	111	38	155.5	G1/4"	3611	VKDDCNC063E	VKDDCNC063F

DIMENSIONS

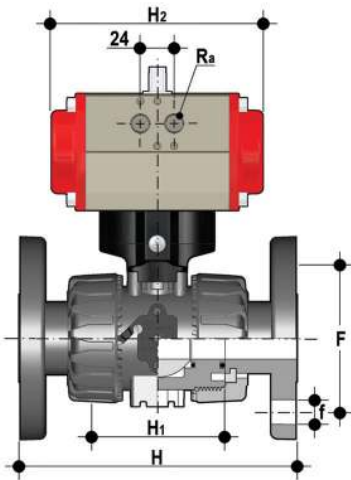
VKD/CP DN 10÷50 PVC-C



VKDDC/CP NO

DUAL BLOCK® ball valve with male ends for solvent welding, metric series with pneumatic actuator, Normally Open function

d	DN	PN	E	H	H ₁	L	H ₂	R _a	g	EPDM Code	FKM Code
16	10	16	54	149	65	14	160	G1/8"	1228	VKDDCNO016E	VKDDCNO016F
20	15	16	54	124	65	16	160	G1/8"	1222	VKDDCNO020E	VKDDCNO020F
25	20	16	65	144	70	19	138	G1/8"	1603	VKDDCNO025E	VKDDCNO025F
32	25	16	73	154	78	22	138	G1/8"	1723	VKDDCNO032E	VKDDCNO032F
40	32	16	86	174	88	26	155.5	G1/4"	2700	VKDDCNO040E	VKDDCNO040F
50	40	16	98	194	93	31	155.5	G1/4"	2988	VKDDCNO050E	VKDDCNO050F
63	50	16	122	224	111	38	155.5	G1/4"	3611	VKDDCNO063E	VKDDCNO063F



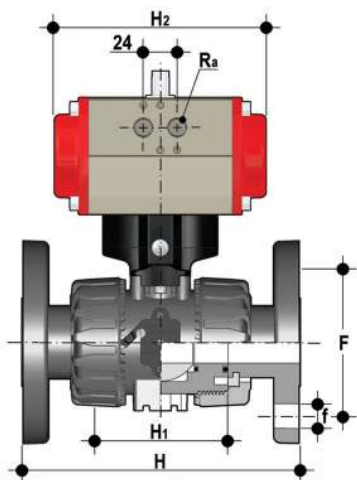
VKDOC/CP DA

DUAL BLOCK® Ball Valve with fixed flanges, drilled EN/ISO/DIN PN 10/16, face to face dimensions as per EN 558-1 with pneumatic actuator, Double-Acting function

d	DN	PN	H	H ₁	F	f	U	Sp	H ₂	R _a	g	EPDM Code	FKM Code
20	15	16	130	65	65	14	4	11	160	G1/8"	1162	VKDOCDA020E	VKDOCDA020F
25	20	16	150	70	75	14	4	14	138	G1/8"	1493	VKDOCDA025E	VKDOCDA025F
32	25	16	160	78	85	14	4	14	138	G1/8"	1613	VKDOCDA032E	VKDOCDA032F
40	32	16	180	88	100	18	4	14	155.5	G1/4"	2500	VKDOCDA040E	VKDOCDA040F
50	40	16	200	93	110	18	4	16	155.5	G1/4"	2788	VKDOCDA050E	VKDOCDA050F
63	50	16	230	111	125	18	4	16	155.5	G1/4"	3411	VKDOCDA063E	VKDOCDA063F

DIMENSIONS

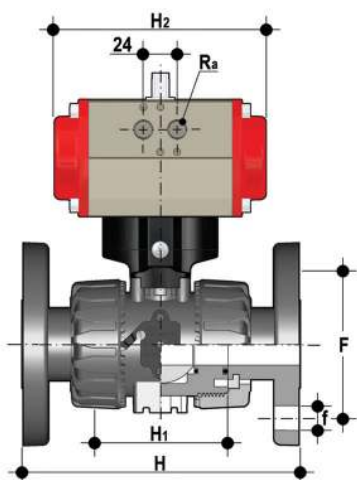
VKD/CP DN 10÷50 PVC-C



VKDOC/CP NC

DUAL BLOCK® Ball Valve with fixed flanges, drilled EN/ISO/DIN PN 10/16, face to face dimensions as per EN 558-1 with pneumatic actuator, Normally Closed function

d	DN	PN	H	H ₁	F	f	U	Sp	H ₂	R _a	g	EPDM Code	FKM Code
20	15	16	130	65	65	14	4	11	160	G1/8"	1222	VKDOCNC020E	VKDOCNC020F
25	20	16	150	70	75	14	4	14	138	G1/8"	1603	VKDOCNC025E	VKDOCNC025F
32	25	16	160	78	85	14	4	14	138	G1/8"	1723	VKDOCNC032E	VKDOCNC032F
40	32	16	180	88	100	18	4	14	155.5	G1/4"	2700	VKDOCNC040E	VKDOCNC040F
50	40	16	200	93	110	18	4	16	155.5	G1/4"	2988	VKDOCNC050E	VKDOCNC050F
63	50	16	230	111	125	18	4	16	155.5	G1/4"	3611	VKDOCNC063E	VKDOCNC063F



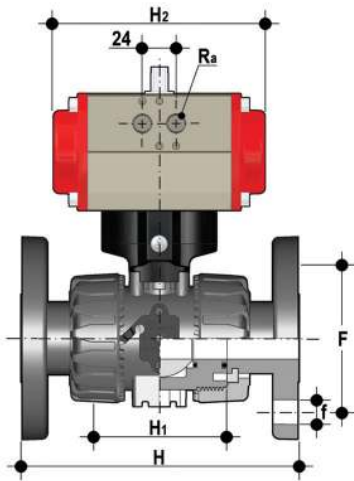
VKDOC/CP NO

DUAL BLOCK® Ball Valve with fixed flanges, drilled EN/ISO/DIN PN 10/16, face to face dimensions as per EN 558-1 with pneumatic actuator, Normally Open function

d	DN	PN	H	H ₁	F	f	U	Sp	H ₂	R _b	g	EPDM Code	FKM Code
20	15	16	130	65	65	14	4	11	160	G1/8"	1222	VKDOCNO020E	VKDOCNO020F
25	20	16	150	70	75	14	4	14	138	G1/8"	1603	VKDOCNO025E	VKDOCNO025F
32	25	16	160	78	85	14	4	14	138	G1/8"	1723	VKDOCNO032E	VKDOCNO032F
40	32	16	180	88	100	18	4	14	155.5	G1/4"	2700	VKDOCNO040E	VKDOCNO040F
50	40	16	200	93	110	18	4	16	155.5	G1/4"	2988	VKDOCNO050E	VKDOCNO050F
63	50	16	230	111	125	18	4	16	155.5	G1/4"	3611	VKDOCNO063E	VKDOCNO063F

DIMENSIONS

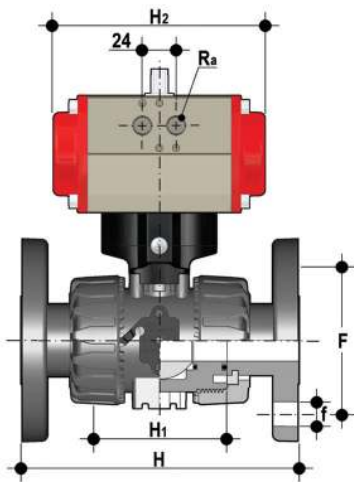
VKD/CP DN 10÷50 PVC-C



VKDOAC/CP DA

DUAL BLOCK® ball valve with fixed flanges drilled ANSI B16.5 cl.150#FF with pneumatic actuator, Double-Acting function

d	DN	PN	H	H ₁	F	f	U	Sp	H ₂	R _a	g	EPDM Code	FKM Code
1/2"	15	16	143	65	60.3	15.9	4	11	160	G1/8"	1162	VKDOACDA012E	VKDOACDA012F
3/4"	20	16	172	70	69.9	15.9	4	14	138	G1/8"	1493	VKDOACDA034E	VKDOACDA034F
1"	25	16	187	78	79.4	15.9	4	14	138	G1/8"	1613	VKDOACDA100E	VKDOACDA100F
1" 1/4	32	16	190	88	88.9	15.9	4	14	155.5	G1/4"	2500	VKDOACDA114E	VKDOACDA114F
1" 1/2	40	16	212	93	98.4	15.9	4	16	155.5	G1/4"	2788	VKDOACDA112E	VKDOACDA112F
2"	50	16	234	111	120.7	19.1	4	16	155.5	G1/4"	3411	VKDOACDA200E	VKDOACDA200F



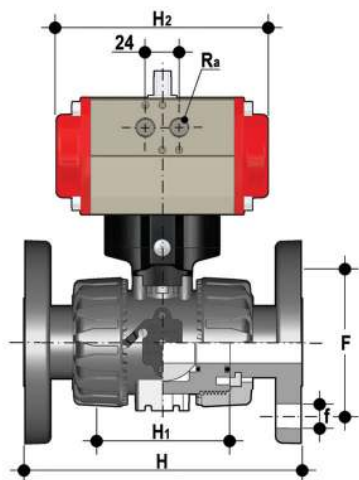
VKDOAC/CP NC

DUAL BLOCK® ball valve with fixed flanges drilled ANSI B16.5 cl.150#FF with pneumatic actuator, Normally Closed function

d	DN	PN	H	H ₁	F	f	U	Sp	H ₂	R _a	g	EPDM Code	FKM Code
1/2"	15	16	143	65	60.3	15.9	4	11	160	G1/8"	1222	VKDOACNC012E	VKDOACNC012F
3/4"	20	16	172	70	69.9	15.9	4	14	138	G1/8"	1603	VKDOACNC034E	VKDOACNC034F
1"	25	16	187	78	79.4	15.9	4	14	138	G1/8"	1723	VKDOACNC100E	VKDOACNC100F
1" 1/4	32	16	190	88	88.9	15.9	4	14	155.5	G1/4"	2700	VKDOACNC114E	VKDOACNC114F
1" 1/2	40	16	212	93	98.4	15.9	4	16	155.5	G1/4"	2988	VKDOACNC112E	VKDOACNC112F
2"	50	16	234	111	120.7	19.1	4	16	155.5	G1/4"	3611	VKDOACNC200E	VKDOACNC200F

DIMENSIONS

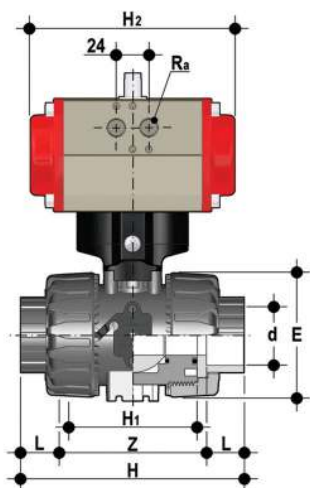
VKD/CP DN 10÷50 PVC-C



VKDOAC/CP NO

DUAL BLOCK® ball valve with fixed flanges drilled ANSI B16.5 cl.150#FF with pneumatic actuator, Normally Open function

d	DN	PN	H	H ₁	F	f	U	Sp	H ₂	R ₂	g	EPDM Code	EPDM Code
1/2"	15	16	143	65	60.3	15.9	4	11	160	G1/8"	1222	VKDOACNO012E	VKDOACNO012F
3/4"	20	16	172	70	69.9	15.9	4	14	138	G1/8"	1603	VKDOACNO034E	VKDOACNO034F
1"	25	16	187	78	79.4	15.9	4	14	138	G1/8"	1723	VKDOACNO100E	VKDOACNO100F
1" 1/4	32	16	190	88	88.9	15.9	4	14	155.5	G1/4"	2700	VKDOACNO114E	VKDOACNO114F
1" 1/2	40	16	212	93	98.4	15.9	4	16	155.5	G1/4"	2988	VKDOACNO112E	VKDOACNO112F
2"	50	16	234	111	120.7	19.1	4	16	155.5	G1/4"	3611	VKDOACNO200E	VKDOACNO200F



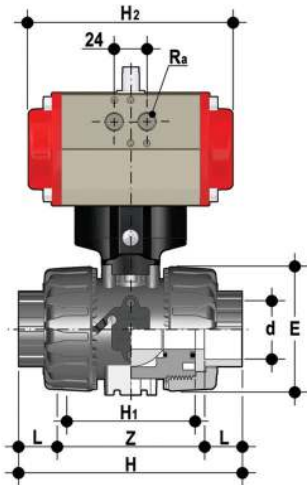
VKDAC/CP DA

Two way DUAL BLOCK® ball valve with female ends for solvent welding, ASTM series with pneumatic actuator, Double-Acting function

d	DN	PN	E	H	H ₁	L	Z	H ₂	R ₂	g	EPDM Code	FKM Code
1/2"	15	16	54	117	65	22.5	72	160	G1/8"	1162	VKDACDA012E	VKDACDA012F
3/4"	20	16	65	129	70	25.5	78	138	G1/8"	1493	VKDACDA034E	VKDACDA034F
1"	25	16	73	142	78	28.7	84.6	138	G1/8"	1613	VKDACDA100E	VKDACDA100F
1" 1/4	32	16	86	162	88	32	98	155.5	G1/4"	2500	VKDACDA114E	VKDACDA114F
1" 1/2	40	16	98	172	93	35	102	155.5	G1/4"	2788	VKDACDA112E	VKDACDA112F
2"	50	16	122	199	111	38.2	122.6	155.5	G1/4"	3411	VKDACDA200E	VKDACDA200F

DIMENSIONS

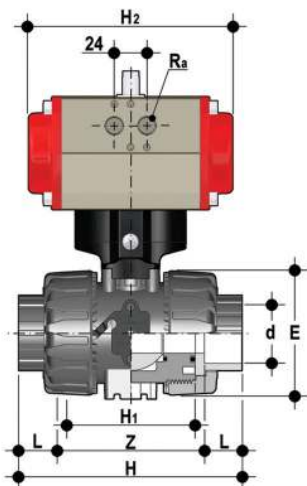
VKD/CP DN 10÷50 PVC-C



VKDAC/CP NC

Two way DUAL BLOCK® ball valve with female ends for solvent welding, ASTM series with pneumatic actuator, Normally Closed function

d	DN	PN	E	H	H ₁	L	Z	H ₂	R _a	g	EPDM Code	FKM Code
1/2"	15	16	54	117	65	22.5	72	160	G1/8"	1222	VKDACNC012E	VKDACNC012F
3/4"	20	16	65	129	70	25.5	78	138	G1/8"	1603	VKDACNC034E	VKDACNC034F
1"	25	16	73	142	78	28.7	84.6	138	G1/8"	1723	VKDACNC100E	VKDACNC100F
1" 1/4	32	16	86	162	88	32	98	155.5	G1/4"	2700	VKDACNC114E	VKDACNC114F
1" 1/2	40	16	98	172	93	35	102	155.5	G1/4"	2988	VKDACNC112E	VKDACNC112F
2"	50	16	122	199	111	38.2	122.6	155.5	G1/4"	3611	VKDACNC200E	VKDACNC200F



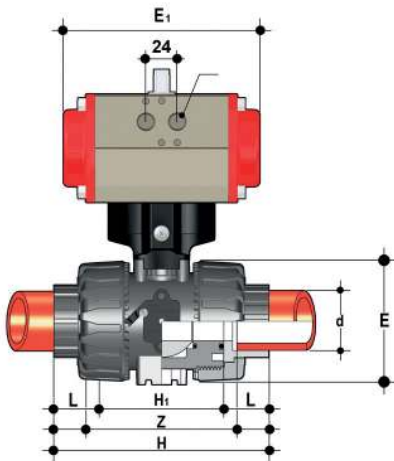
VKDAC/CP NO

Two way DUAL BLOCK® ball valve with female ends for solvent welding, ASTM series with pneumatic actuator, Normally Open function

d	DN	PN	E	H	H ₁	L	Z	H ₂	R _a	g	EPDM Code	FKM Code
1/2"	15	16	54	117	65	22.5	72	160	G1/8"	1222	VKDACNO012E	VKDACNO012F
3/4"	20	16	65	129	70	25.5	78	138	G1/8"	1603	VKDACNO034E	VKDACNO034F
1"	25	16	73	142	78	28.7	84.6	138	G1/8"	1723	VKDACNO100E	VKDACNO100F
1" 1/4	32	16	86	162	88	32	98	155.5	G1/4"	2700	VKDACNO114E	VKDACNO114F
1" 1/2	40	16	98	172	93	35	102	155.5	G1/4"	2988	VKDACNO112E	VKDACNO112F
2"	50	16	122	199	111	38.2	122.6	155.5	G1/4"	3611	VKDACNO200E	VKDACNO200F

DIMENSIONS

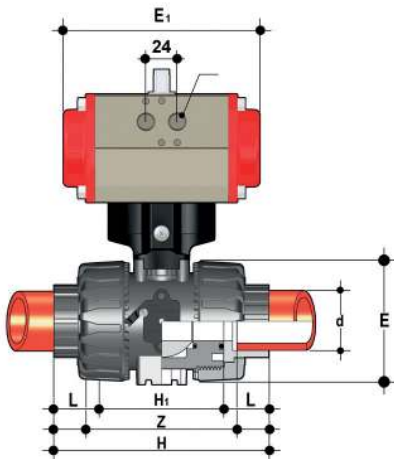
VKD/CP DN 10÷50 PP-H



VKDIM/CP DA

DUAL BLOCK® ball valve with female ends for socket welding, metric series with pneumatic actuator, Double-Acting function

d	DN	PN	E	H	H ₁	L	Z	H ₂	R _s	g	EPDM Code	FKM Code
16	10	10	54	103	65	14	74.5	160	G1/8"	1090	VKDIMDA016E	VKDIMDA016F
20	15	10	54	103	65	15	73	160	G1/8"	1085	VKDIMDA020E	VKDIMDA020F
25	20	10	65	115	70	17	82	138	G1/8"	1361	VKDIMDA025E	VKDIMDA025F
32	25	10	73	128	78	19	90	138	G1/8"	1441	VKDIMDA032E	VKDIMDA032F
40	32	10	86	146	88	23	100	155.5	G1/4"	2256	VKDIMDA040E	VKDIMDA040F
50	40	10	98	164	93	24	117	155.5	G1/4"	2458	VKDIMDA050E	VKDIMDA050F
63	50	10	122	199	111	28	144	155.5	G1/4"	2907	VKDIMDA063E	VKDIMDA063F



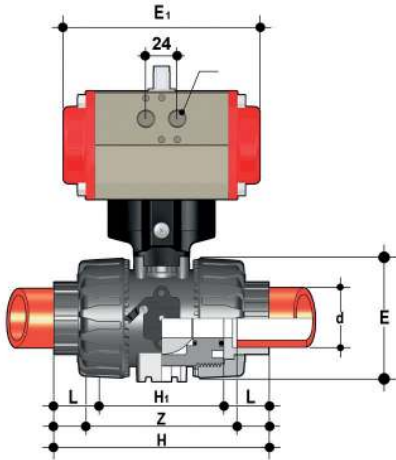
VKDIM/CP NC

DUAL BLOCK® ball valve with female ends for socket welding, metric series with pneumatic actuator, Normally Closed function

d	DN	PN	E	H	H ₁	L	Z	H ₂	R _s	g	EPDM Code	FKM Code
16	10	10	54	103	65	14	74.5	160	G1/8"	1150	VKDIMNC016E	VKDIMNC016F
20	15	10	54	103	65	15	73	160	G1/8"	1145	VKDIMNC020E	VKDIMNC020F
25	20	10	65	115	70	17	82	138	G1/8"	1471	VKDIMNC025E	VKDIMNC025F
32	25	10	73	128	78	19	90	138	G1/8"	1551	VKDIMNC032E	VKDIMNC032F
40	32	10	86	146	88	23	100	155.5	G1/4"	2456	VKDIMNC040E	VKDIMNC040F
50	40	10	98	164	93	24	117	155.5	G1/4"	2658	VKDIMNC050E	VKDIMNC050F
63	50	10	122	199	111	28	144	155.5	G1/4"	3107	VKDIMNC063E	VKDIMNC063F

DIMENSIONS

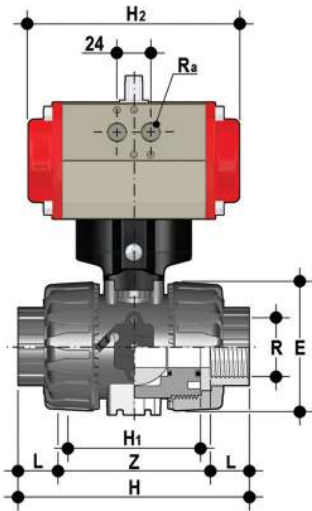
VKD/CP DN 10÷50 PP-H



VKDIM/CP NO

DUAL BLOCK® ball valve with female ends for socket welding, metric series with pneumatic actuator, Normally Open function

d	DN	PN	E	H	H ₁	L	Z	H ₂	R _s	g	EPDM Code	FKM Code
16	10	10	54	103	65	14	74.5	160	G1/8"	1150	VKDIMNO016E	VKDIMNO016F
20	15	10	54	103	65	15	73	160	G1/8"	1145	VKDIMNO020E	VKDIMNO020F
25	20	10	65	115	70	17	82	138	G1/8"	1471	VKDIMNO025E	VKDIMNO025F
32	25	10	73	128	78	19	90	138	G1/8"	1551	VKDIMNO032E	VKDIMNO032F
40	32	10	86	146	88	23	100	155.5	G1/4"	2456	VKDIMNO040E	VKDIMNO040F
50	40	10	98	164	93	24	117	155.5	G1/4"	2658	VKDIMNO050E	VKDIMNO050F
63	50	10	122	199	111	28	144	155.5	G1/4"	3107	VKDIMNO063E	VKDIMNO063F



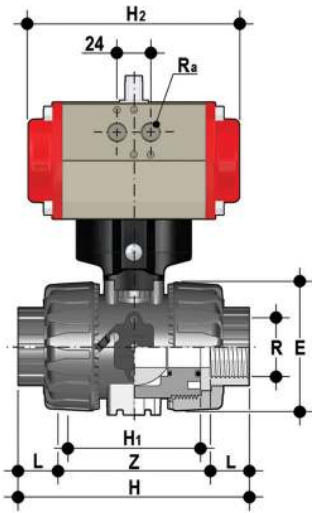
VKDFM/CP DA

DUAL BLOCK® ball valve with gas cylinder thread female ends with pneumatic actuator, Double-Acting function

R	DN	PN	E	H	H ₁	L	Z	H ₂	R _s	g	EPDM Code	FKM Code
1/2"	15	10	54	110	65	15	80	160	G1/8"	1085	VKDFMDA012E	VKDFMDA012F
3/4"	20	10	65	116	70	16	83	138	G1/8"	1361	VKDFMDA034E	VKDFMDA034F
1"	25	10	73	134	78	19	96	138	G1/8"	1441	VKDFMDA100E	VKDFMDA100F
1" 1/4	32	10	86	153	88	21	110	155.5	G1/4"	2256	VKDFMDA114E	VKDFMDA114F
1" 1/2	40	10	98	156	93	21	113	155.5	G1/4"	2458	VKDFMDA112E	VKDFMDA112F
2"	50	10	122	186	111	26	135	155.5	G1/4"	2907	VKDFMDA200E	VKDFMDA200F

DIMENSIONS

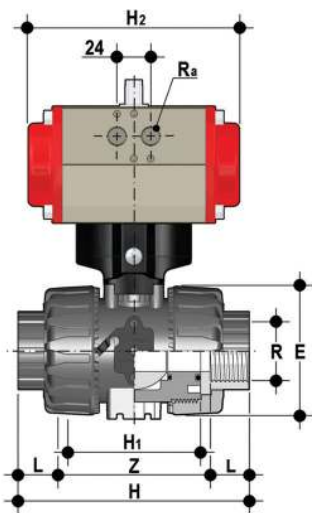
VKD/CP DN 10÷50 PP-H



VKDFM/CP NC

DUAL BLOCK® ball valve with gas cylinder thread female ends with pneumatic actuator, Normally Closed function

R	DN	PN	E	H	H ₁	L	Z	H ₂	R _a	g	EPDM Code	FKM Code
1/2"	15	10	54	110	65	15	80	160	G1/8"	1145	VKDFMNC012E	VKDFMNC012F
3/4"	20	10	65	116	70	16	83	138	G1/8"	1471	VKDFMNC034E	VKDFMNC034F
1"	25	10	73	134	78	19	96	138	G1/8"	1551	VKDFMNC100E	VKDFMNC100F
1" 1/4	32	10	86	153	88	21	110	155.5	G1/4"	2456	VKDFMNC114E	VKDFMNC114F
1" 1/2	40	10	98	156	93	21	113	155.5	G1/4"	2658	VKDFMNC112E	VKDFMNC112F
2"	50	10	122	186	111	26	135	155.5	G1/4"	3107	VKDFMNC200E	VKDFMNC200F



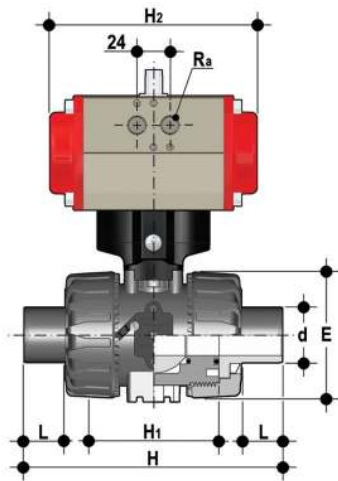
VKDFM/CP NO

DUAL BLOCK® ball valve with gas cylinder thread female ends with pneumatic actuator, Normally Open function

R	DN	PN	E	H	H ₁	L	Z	H ₂	R _a	g	EPDM Code	FKM Code
1/2"	15	10	54	110	65	15	80	160	G1/8"	1145	VKDFMNO012E	VKDFMNO012F
3/4"	20	10	65	116	70	16	83	138	G1/8"	1471	VKDFMNO034E	VKDFMNO034F
1"	25	10	73	134	78	19	96	138	G1/8"	1551	VKDFMNO100E	VKDFMNO100F
1" 1/4	32	10	86	153	88	21	110	155.5	G1/4"	2456	VKDFMNO114E	VKDFMNO114F
1" 1/2	40	10	98	156	93	21	113	155.5	G1/4"	2658	VKDFMNO112E	VKDFMNO112F
2"	50	10	122	186	111	26	135	155.5	G1/4"	3107	VKDFMNO200E	VKDFMNO200F

DIMENSIONS

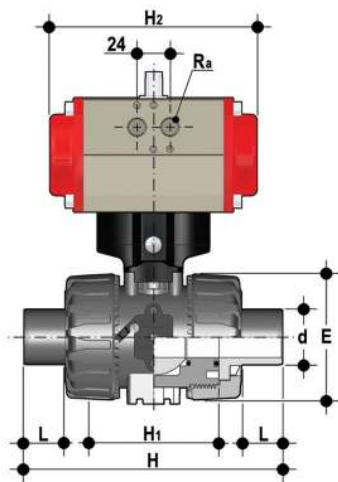
VKD/CP DN 10÷50 PP-H



VKDDM/CP DA

DUAL BLOCK® ball valve with male ends for socket welding, metric series with pneumatic actuator, Double-Acting function

d	DN	PN	E	H	H ₁	L	H ₂	R _a	g	EPDM Code	FKM Code
20	15	10	54	124	65	16	160	G1/8"	1085	VKDDMDA020E	VKDDMDA020F
25	20	10	65	144	70	18	138	G1/8"	1361	VKDDMDA025E	VKDDMDA025F
32	25	10	73	154	78	20	138	G1/8"	1441	VKDDMDA032E	VKDDMDA032F
40	32	10	86	174	88	22	155.5	G1/4"	2256	VKDDMDA040E	VKDDMDA040F
50	40	10	98	194	93	23	155.5	G1/4"	2458	VKDDMDA050E	VKDDMDA050F
63	50	10	122	224	111	29	155.5	G1/4"	2907	VKDDMDA063E	VKDDMDA063F



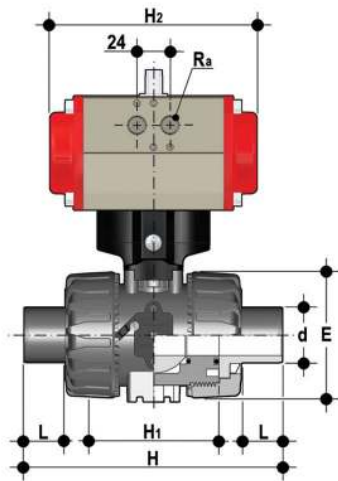
VKDDM/CP NC

DUAL BLOCK® ball valve with male ends for socket welding, metric series with pneumatic actuator, Normally Closed function

d	DN	PN	E	H	H ₁	L	H ₂	R _a	g	EPDM Code	FKM Code
20	15	10	54	124	65	16	160	G1/8"	1145	VKDDMNC020E	VKDDMNC020F
25	20	10	65	144	70	18	138	G1/8"	1471	VKDDMNC025E	VKDDMNC025F
32	25	10	73	154	78	20	138	G1/8"	1551	VKDDMNC032E	VKDDMNC032F
40	32	10	86	174	88	22	155.5	G1/4"	2456	VKDDMNC040E	VKDDMNC040F
50	40	10	98	194	93	23	155.5	G1/4"	2658	VKDDMNC050E	VKDDMNC050F
63	50	10	122	224	111	29	155.5	G1/4"	3107	VKDDMNC063E	VKDDMNC063F

DIMENSIONS

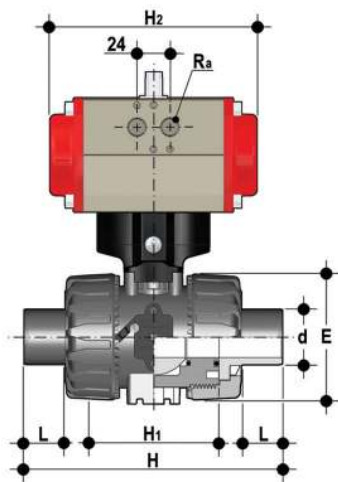
VKD/CP DN 10÷50 PP-H



VKDDM/CP NO

DUAL BLOCK® ball valve with male ends for socket welding, metric series with pneumatic actuator, Normally Open function

d	DN	PN	E	H	H ₁	L	H ₂	R _a	g	EPDM Code	FKM Code
20	15	10	54	124	65	16	160	G1/8"	1145	VKDDMNO020E	VKDDMNO020F
25	20	10	65	144	70	18	138	G1/8"	1471	VKDDMNO025E	VKDDMNO025F
32	25	10	73	154	78	20	138	G1/8"	1551	VKDDMNO032E	VKDDMNO032F
40	32	10	86	174	88	22	155.5	G1/4"	2456	VKDDMNO040E	VKDDMNO040F
50	40	10	98	194	93	23	155.5	G1/4"	2658	VKDDMNO050E	VKDDMNO050F
63	50	10	122	224	111	29	155.5	G1/4"	3107	VKDDMNO063E	VKDDMNO063F



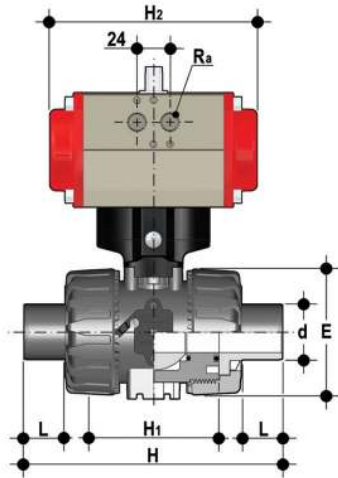
VKDBM/CP DA

DUAL BLOCK® ball valve with long spigot male ends in PP-H SDR21 for head welding (CVDM) with pneumatic actuator, Double-Acting function

d	DN	PN	E	H	H ₁	L	Z	H ₂	R _a	g	EPDM Code	FKM Code
20	15	10	54	175	65	41	73	160	G1/8"	1085	VKDBMDA020E	VKDBMDA020F
25	20	10	65	210	70	52	82	138	G1/8"	1361	VKDBMDA025E	VKDBMDA025F
32	25	10	73	226	78	55	90	138	G1/8"	1441	VKDBMDA032E	VKDBMDA032F
40	32	10	86	243	88	56	100	155.5	G1/4"	2256	VKDBMDA040E	VKDBMDA040F
50	40	10	98	261	93	58	117	155.5	G1/4"	2458	VKDBMDA050E	VKDBMDA050F
63	50	10	122	293	111	66	144	155.5	G1/4"	2907	VKDBMDA063E	VKDBMDA063F

DIMENSIONS

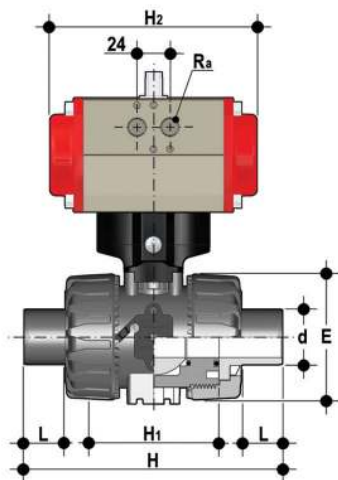
VKD/CP DN 10÷50 PP-H



VKDBM/CP NC

DUAL BLOCK® ball valve with long spigot male ends in PP-H SDR21 for head welding (CVDM) with pneumatic actuator, Normally Closed function

R	DN	PN	E	H	H ₁	L	Z	H ₂	R _a	g	EPDM Code	FKM Code
20	15	10	54	175	65	41	73	160	G1/8"	1145	VKDBMNC020E	VKDBMNC020F
25	20	10	65	210	70	52	82	138	G1/8"	1471	VKDBMNC025E	VKDBMNC025F
32	25	10	73	226	78	55	90	138	G1/8"	1551	VKDBMNC032E	VKDBMNC032F
40	32	10	86	243	88	56	100	155.5	G1/4"	2456	VKDBMNC040E	VKDBMNC040F
50	40	10	98	261	93	58	117	155.5	G1/4"	2658	VKDBMNC050E	VKDBMNC050F
63	50	10	122	293	111	66	144	155.5	G1/4"	3107	VKDBMNC063E	VKDBMNC063F



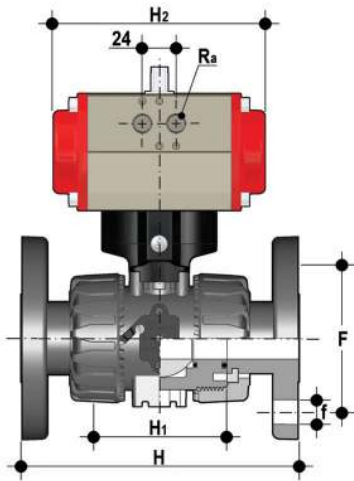
VKDBM/CP NO

DUAL BLOCK® ball valve with long spigot male ends in PP-H SDR21 for head welding (CVDM) with pneumatic actuator, Normally Open function

R	DN	PN	E	H	H ₁	L	Z	H ₂	R _a	g	EPDM Code	FKM Code
20	15	10	54	175	65	41	73	160	G1/8"	1145	VKDBMNO020E	VKDBMNO020F
25	20	10	65	210	70	52	82	138	G1/8"	1471	VKDBMNO025E	VKDBMNO025F
32	25	10	73	226	78	55	90	138	G1/8"	1551	VKDBMNO032E	VKDBMNO032F
40	32	10	86	243	88	56	100	155.5	G1/4"	2456	VKDBMNO040E	VKDBMNO040F
50	40	10	98	261	93	58	117	155.5	G1/4"	2658	VKDBMNO050E	VKDBMNO050F
63	50	10	122	293	111	66	144	155.5	G1/4"	3107	VKDBMNO063E	VKDBMNO063F

DIMENSIONS

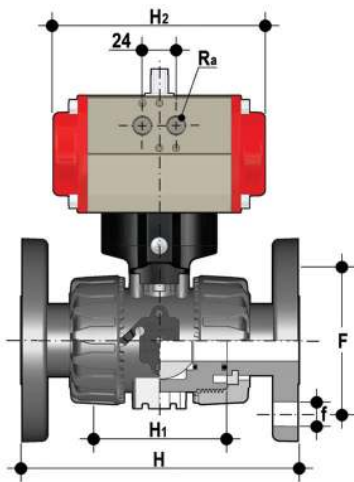
VKD/CP DN 10÷50 PP-H



VKDOM/CP DA

DUAL BLOCK® Ball Valve with fixed flanges, drilled EN/ISO/DIN PN 10/16, face to face dimensions as per EN 558-1 with pneumatic actuator, Double-Acting function

d	DN	PN	H	H ₁	F	f	U	Sp	H ₂	R _a	g	EPDM Code	FKM Code
20	15	10	130	65	65	14	4	11	160	G1/8"	1085	VKDOMDA020E	VKDOMDA020F
25	20	10	150	70	75	14	4	14	138	G1/8"	1361	VKDOMDA025E	VKDOMDA025F
32	25	10	160	78	85	14	4	14	138	G1/8"	1441	VKDOMDA032E	VKDOMDA032F
40	32	10	180	88	100	18	4	14	155.5	G1/4"	2256	VKDOMDA040E	VKDOMDA040F
50	40	10	200	93	110	18	4	16	155.5	G1/4"	2458	VKDOMDA050E	VKDOMDA050F
63	50	10	230	111	125	18	4	16	155.5	G1/4"	2907	VKDOMDA063E	VKDOMDA063F



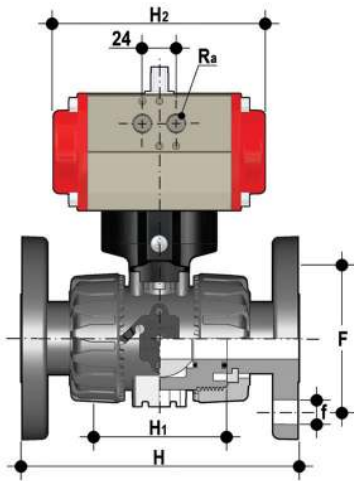
VKDOM/CP NC

DUAL BLOCK® Ball Valve with fixed flanges, drilled EN/ISO/DIN PN 10/16, face to face dimensions as per EN 558-1 with pneumatic actuator, Normally Closed function

d	DN	PN	H	H ₁	F	f	U	Sp	H ₂	R _a	g	EPDM Code	FKM Code
20	15	10	130	65	65	14	4	11	160	G1/8"	1145	VKDOMNC020E	VKDOMNC020F
25	20	10	150	70	75	14	4	14	138	G1/8"	1471	VKDOMNC025E	VKDOMNC025F
32	25	10	160	78	85	14	4	14	138	G1/8"	1551	VKDOMNC032E	VKDOMNC032F
40	32	10	180	88	100	18	4	14	155.5	G1/4"	2456	VKDOMNC040E	VKDOMNC040F
50	40	10	200	93	110	18	4	16	155.5	G1/4"	2658	VKDOMNC050E	VKDOMNC050F
63	50	10	230	111	125	18	4	16	155.5	G1/4"	3107	VKDOMNC063E	VKDOMNC063F

DIMENSIONS

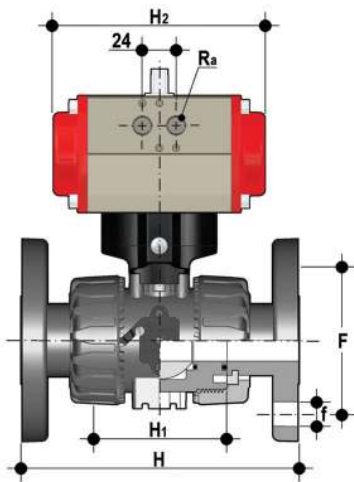
VKD/CP DN 10÷50 PP-H



VKDOM/CP NO

DUAL BLOCK® Ball Valve with fixed flanges, drilled EN/ISO/DIN PN 10/16, face to face dimensions as per EN 558-1 with pneumatic actuator, Normally Open function

d	DN	PN	H	H ₁	F	f	U	Sp	H ₂	R _a	g	EPDM Code	FKM Code
20	15	10	130	65	65	14	4	11	160	G1/8"	1145	VKDOMNO020E	VKDOMNO020F
25	20	10	150	70	75	14	4	14	138	G1/8"	1471	VKDOMNO025E	VKDOMNO025F
32	25	10	160	78	85	14	4	14	138	G1/8"	1551	VKDOMNO032E	VKDOMNO032F
40	32	10	180	88	100	18	4	14	155.5	G1/4"	2456	VKDOMNO040E	VKDOMNO040F
50	40	10	200	93	110	18	4	16	155.5	G1/4"	2658	VKDOMNO050E	VKDOMNO050F
63	50	10	230	111	125	18	4	16	155.5	G1/4"	3107	VKDOMNO063E	VKDOMNO063F



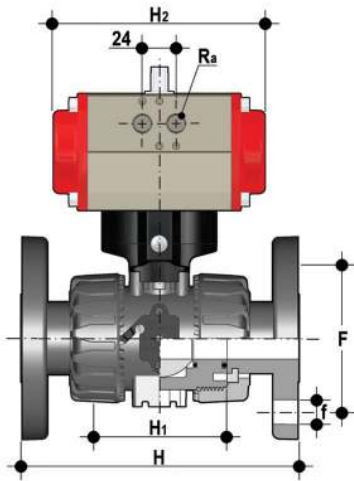
VKDOAM/CP DA

DUAL BLOCK® ball valve with fixed flanges drilled ANSI B16.5 cl.150#FF with pneumatic actuator, Double-Acting function

d	DN	PN	H	H ₁	F	f	U	Sp	H ₂	R _a	g	EPDM Code	FKM Code
1/2"	15	10	143	65	60.3	15.9	4	11	160	G1/8"	1085	VKDOAMDA012E	VKDOAMDA012F
3/4"	20	10	172	70	69.9	15.9	4	14	138	G1/8"	1361	VKDOAMDA034E	VKDOAMDA034F
1"	25	10	187	78	79.4	15.9	4	14	138	G1/8"	1441	VKDOAMDA100E	VKDOAMDA100F
1" 1/4	32	10	190	88	88.9	15.9	4	14	155.5	G1/4"	2256	VKDOAMDA114E	VKDOAMDA114F
1" 1/2	40	10	212	93	98.4	15.9	4	16	155.5	G1/4"	2458	VKDOAMDA112E	VKDOAMDA112F
2"	50	10	234	111	120.7	19.1	4	16	155.5	G1/4"	2907	VKDOAMDA200E	VKDOAMDA200F

DIMENSIONS

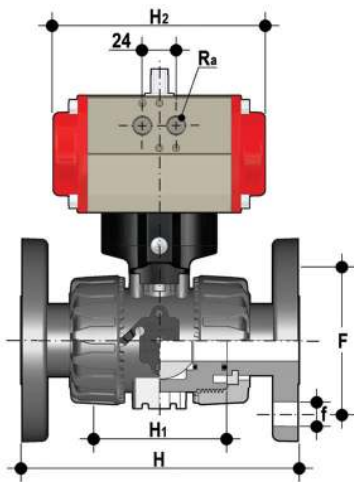
VKD/CP DN 10÷50 PP-H



VKDOAM/CP NC

DUAL BLOCK® ball valve with fixed flanges drilled ANSI B16.5 cl.150#FF with pneumatic actuator, Normally Closed function

d	DN	PN	H	H ₁	F	f	U	Sp	H ₂	R _a	g	EPDM Code	FKM Code
1/2"	15	10	143	65	60.3	15.9	4	11	160	G1/8"	1145	VKDOAMNC012E	VKDOAMNC012F
3/4"	20	10	172	70	69.9	15.9	4	14	138	G1/8"	1471	VKDOAMNC034E	VKDOAMNC034F
1"	25	10	187	78	79.4	15.9	4	14	138	G1/8"	1551	VKDOAMNC100E	VKDOAMNC100F
1" 1/4	32	10	190	88	88.9	15.9	4	14	155.5	G1/4"	2456	VKDOAMNC114E	VKDOAMNC114F
1" 1/2	40	10	212	93	98.4	15.9	4	16	155.5	G1/4"	2658	VKDOAMNC112E	VKDOAMNC112F
2"	50	10	234	111	120.7	19.1	4	16	155.5	G1/4"	3107	VKDOAMNC200E	VKDOAMNC200F



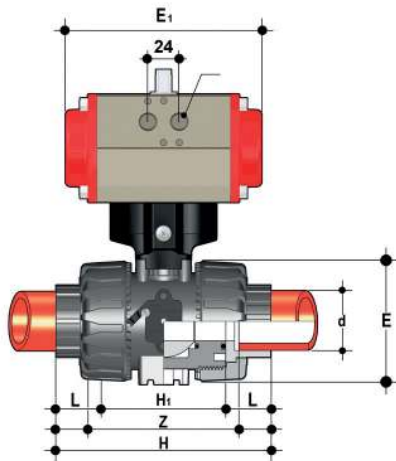
VKDOAM/CP NO

DUAL BLOCK® ball valve with fixed flanges drilled ANSI B16.5 cl.150#FF with pneumatic actuator, Normally Open function

d	DN	PN	H	H ₁	F	f	U	Sp	H ₂	R _a	g	Code	Code
1/2"	15	10	143	65	60.3	15.9	4	11	160	G1/8"	1145	VKDOAMNO012E	VKDOAMNO012F
3/4"	20	10	172	70	69.9	15.9	4	14	138	G1/8"	1471	VKDOAMNO034E	VKDOAMNO034F
1"	25	10	187	78	79.4	15.9	4	14	138	G1/8"	1551	VKDOAMNO100E	VKDOAMNO100F
1" 1/4	32	10	190	88	88.9	15.9	4	14	155.5	G1/4"	2456	VKDOAMNO114E	VKDOAMNO114F
1" 1/2	40	10	212	93	98.4	15.9	4	16	155.5	G1/4"	2658	VKDOAMNO112E	VKDOAMNO112F
2"	50	10	234	111	120.7	19.1	4	16	155.5	G1/4"	3107	VKDOAMNO200E	VKDOAMNO200F

DIMENSIONS

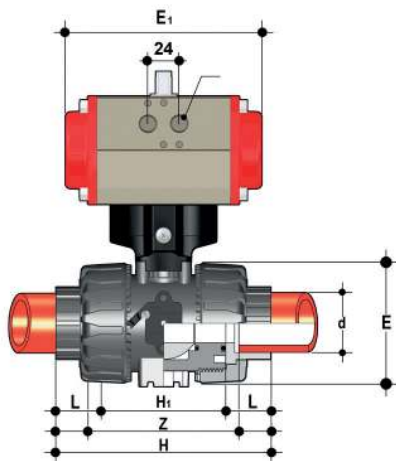
VKD/CP DN 10÷50 PVDF



VKDIF/CP DA

DUAL BLOCK® ball valve with female ends for socket welding, metric series with pneumatic actuator, Double-Acting function

d	DN	PN	E	H	H ₁	L	Z	H ₂	R _s	g	FKM Code
16	10	16	54	103	65	14	74.5	160	G1/8"	1200	VKDIFDA016F
20	15	16	54	103	65	15	73	160	G1/8"	1195	VKDIFDA020F
25	20	16	65	115	70	17	82	138	G1/8"	1533	VKDIFDA025F
32	25	16	73	128	78	19	90	138	G1/8"	1693	VKDIFDA032F
40	32	16	86	146	88	23	100	155.5	G1/4"	2591	VKDIFDA040F
50	40	16	98	164	93	24	117	155.5	G1/4"	2926	VKDIFDA050F
63	50	16	122	199	111	28	144	155.5	G1/4"	3711	VKDIFDA063F



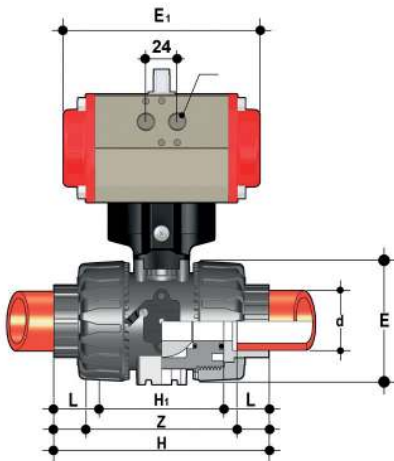
VKDIF/CP NC

DUAL BLOCK® ball valve with female ends for socket welding, metric series with pneumatic actuator, Normally Closed function

d	DN	PN	E	H	H ₁	L	Z	H ₂	R _s	g	FKM Code
16	10	16	54	103	65	14	74.5	160	G1/8"	1260	VKDIFNC016F
20	15	16	54	103	65	15	73	160	G1/8"	1255	VKDIFNC020F
25	20	16	65	115	70	17	82	138	G1/8"	1643	VKDIFNC025F
32	25	16	73	128	78	19	90	138	G1/8"	1803	VKDIFNC032F
40	32	16	86	146	88	23	100	155.5	G1/4"	2791	VKDIFNC040F
50	40	16	98	164	93	24	117	155.5	G1/4"	3126	VKDIFNC050F
63	50	16	122	199	111	28	144	155.5	G1/4"	3911	VKDIFNC063F

DIMENSIONS

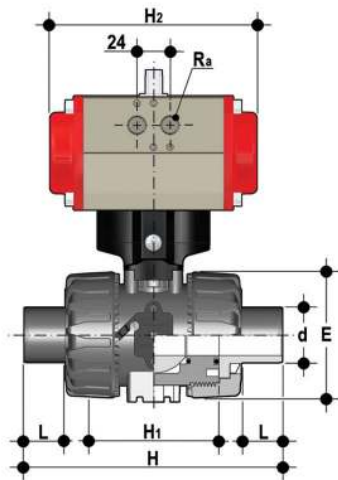
VKD/CP DN 10÷50 PVDF



VKDIF/CP NO

DUAL BLOCK® ball valve with female ends for socket welding, metric series with pneumatic actuator, Normally Open function

d	DN	PN	E	H	H ₁	L	Z	H ₂	R _s	g	FKM Code
16	10	16	54	103	65	14	74.5	160	G1/8"	1260	VKDIFNO016F
20	15	16	54	103	65	15	73	160	G1/8"	1255	VKDIFNO020F
25	20	16	65	115	70	17	82	138	G1/8"	1643	VKDIFNO025F
32	25	16	73	128	78	19	90	138	G1/8"	1803	VKDIFNO032F
40	32	16	86	146	88	23	100	155.5	G1/4"	2791	VKDIFNO040F
50	40	16	98	164	93	24	117	155.5	G1/4"	3126	VKDIFNO050F
63	50	16	122	199	111	28	144	155.5	G1/4"	3911	VKDIFNO063F



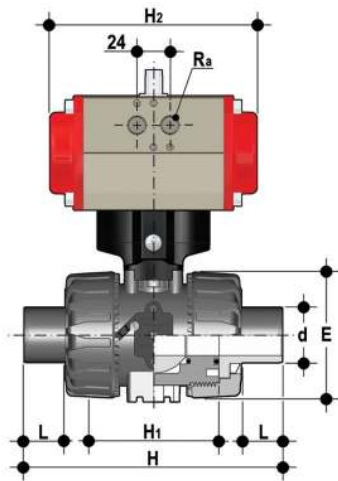
VKDDF/CP DA

DUAL BLOCK® ball valve with male ends for socket welding, metric series with pneumatic actuator, Double-Acting function

d	DN	PN	E	H	H ₁	L	H ₂	R _s	g	FKM Code
20	15	16	54	124	65	16	160	G1/8"	1195	VKDDFDA020F
25	20	16	65	144	70	18	138	G1/8"	1533	VKDDFDA025F
32	25	16	73	154	78	20	138	G1/8"	1693	VKDDFDA032F
40	32	16	86	174	88	22	155.5	G1/4"	2591	VKDDFDA040F
50	40	16	98	194	93	23	155.5	G1/4"	2926	VKDDFDA050F
63	50	16	122	224	111	29	155.5	G1/4"	3711	VKDDFDA063F

DIMENSIONS

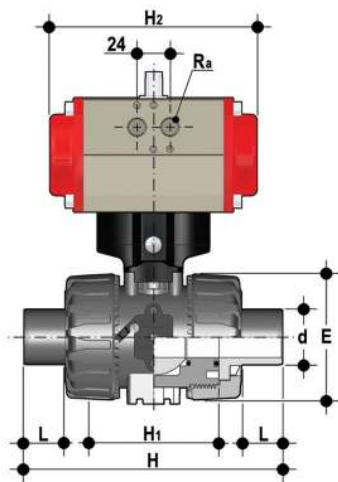
VKD/CP DN 10÷50 PVDF



VKDDF/CP NC

DUAL BLOCK® ball valve with male ends for socket welding, metric series with pneumatic actuator, Normally Closed function

d	DN	PN	E	H	H ₁	L	H ₂	R _a	g	FKM Code
20	15	16	54	124	65	16	160	G1/8"	1255	VKDDFNC020F
25	20	16	65	144	70	18	138	G1/8"	1643	VKDDFNC025F
32	25	16	73	154	78	20	138	G1/8"	1803	VKDDFNC032F
40	32	16	86	174	88	22	155.5	G1/4"	2791	VKDDFNC040F
50	40	16	98	194	93	23	155.5	G1/4"	3126	VKDDFNC050F
63	50	16	122	224	111	29	155.5	G1/4"	3911	VKDDFNC063F



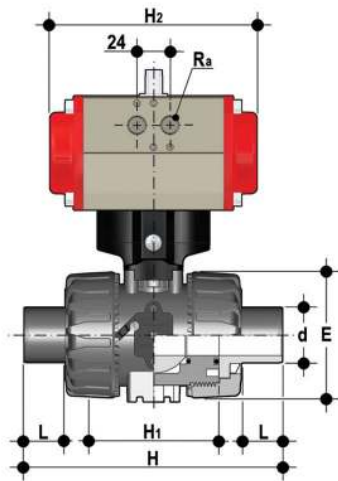
VKDDF/CP NO

DUAL BLOCK® ball valve with male ends for socket welding, metric series with pneumatic actuator, Normally Open function

d	DN	PN	E	H	H ₁	L	H ₂	R _a	g	FKM Code
20	15	16	54	124	65	16	160	G1/8"	1255	VKDDFNO020F
25	20	16	65	144	70	18	138	G1/8"	1643	VKDDFNO025F
32	25	16	73	154	78	20	138	G1/8"	1803	VKDDFNO032F
40	32	16	86	174	88	22	155.5	G1/4"	2791	VKDDFNO040F
50	40	16	98	194	93	23	155.5	G1/4"	3126	VKDDFNO050F
63	50	16	122	224	111	29	155.5	G1/4"	3911	VKDDFNO063F

DIMENSIONS

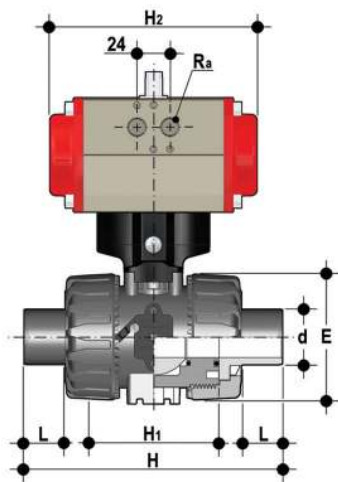
VKD/CP DN 10÷50 PVDF



VKDBF/CP DA

DUAL BLOCK® ball valve with long spigot male ends in PVDF SDR21 for head welding (CVDF) with pneumatic actuator, Double-Acting function

d	DN	PN	E	H	H ₁	L	H ₂	R _a	g	FKM Code
20	15	16	54	171	65	41	160	G1/8"	1195	VKDBFDA020F
25	20	16	65	204	70	52	138	G1/8"	1533	VKDBFDA025F
32	25	16	73	220	78	55	138	G1/8"	1693	VKDBFDA032F
40	32	16	86	238	88	56	155.5	G1/4"	2591	VKDBFDA040F
50	40	16	98	254	93	58	155.5	G1/4"	2926	VKDBFDA050F
63	50	16	122	286	111	66	155.5	G1/4"	3711	VKDBFDA063F



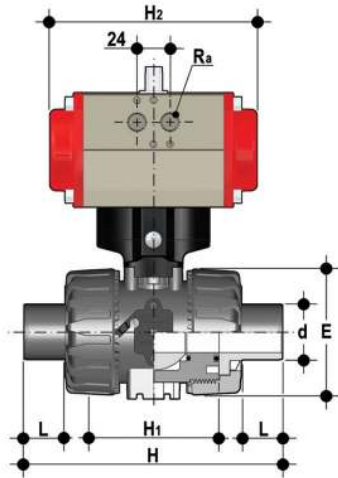
VKDBF/CP NC

DUAL BLOCK® ball valve with long spigot male ends in PVDF SDR21 for head welding (CVDF) with pneumatic actuator, Normally Closed function

d	DN	PN	E	H	H ₁	L	H ₂	R _a	g	FKM Code
20	15	16	54	124	65	16	160	G1/8"	1255	VKDBFNC020F
25	20	16	65	144	70	18	138	G1/8"	1643	VKDBFNC025F
32	25	16	73	154	78	20	138	G1/8"	1803	VKDBFNC032F
40	32	16	86	174	88	22	155.5	G1/4"	2791	VKDBFNC040F
50	40	16	98	194	93	23	155.5	G1/4"	3126	VKDBFNC050F
63	50	16	122	224	111	29	155.5	G1/4"	3911	VKDBFNC063F

DIMENSIONS

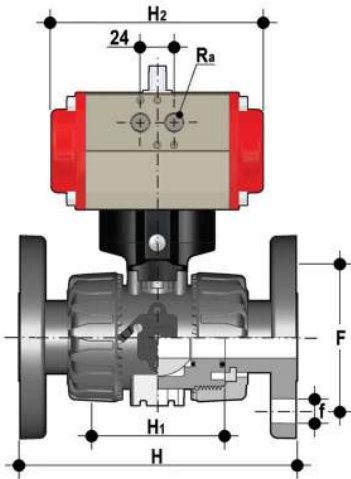
VKD/CP DN 10÷50 PVDF



VKDBF/CP NO

DUAL BLOCK® ball valve with long spigot male ends in PVDF SDR21 for head welding (CVDF) with pneumatic actuator, Normally Open function

d	DN	PN	E	H	H ₁	L	H ₂	R _a	g	FKM Code
20	15	16	54	124	65	16	160	G1/8"	1255	VKDBFNO020F
25	20	16	65	144	70	18	138	G1/8"	1643	VKDBFNO025F
32	25	16	73	154	78	20	138	G1/8"	1803	VKDBFNO032F
40	32	16	86	174	88	22	155.5	G1/4"	2791	VKDBFNO040F
50	40	16	98	194	93	23	155.5	G1/4"	3126	VKDBFNO050F
63	50	16	122	224	111	29	155.5	G1/4"	3911	VKDBFNO063F



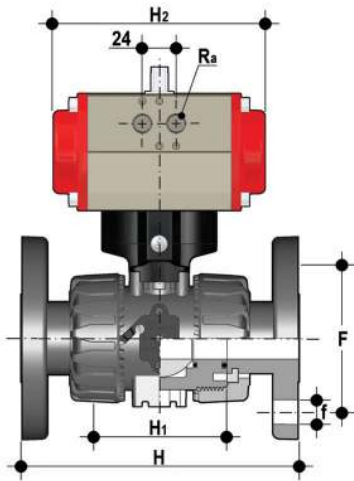
VKDOF/CP DA

DUAL BLOCK® Ball Valve with fixed flanges, drilled EN/ISO/DIN PN 10/16, face to face dimensions as per EN 558-1 with pneumatic actuator, Double-Acting function

d	DN	PN	H	H ₁	F	f	U	Sp	H ₂	R _a	g	FKM Code
20	15	16	130	65	65	14	4	11	160	G1/8"	1195	VKDOFDA020F
25	20	16	150	70	75	14	4	14	138	G1/8"	1533	VKDOFDA025F
32	25	16	160	78	85	14	4	14	138	G1/8"	1693	VKDOFDA032F
40	32	16	180	88	100	18	4	14	155.5	G1/4"	2591	VKDOFDA040F
50	40	16	200	93	110	18	4	16	155.5	G1/4"	2926	VKDOFDA050F
63	50	16	230	111	125	18	4	16	155.5	G1/4"	3711	VKDOFDA063F

DIMENSIONS

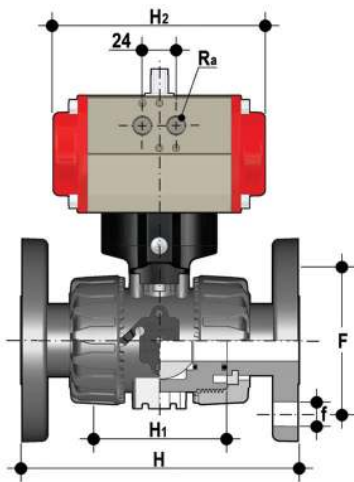
VKD/CP DN 10÷50 PVDF



VKDOF/CP NC

DUAL BLOCK® Ball Valve with fixed flanges, drilled EN/ISO/DIN PN 10/16, face to face dimensions as per EN 558-1 with pneumatic actuator, Normally Closed function

d	DN	PN	H	H ₁	F	f	U	Sp	H ₂	R _a	g	FKM Code
20	15	16	130	65	65	14	4	11	160	G1/8"	1255	VKDOFNC020F
25	20	16	150	70	75	14	4	14	138	G1/8"	1643	VKDOFNC025F
32	25	16	160	78	85	14	4	14	138	G1/8"	1803	VKDOFNC032F
40	32	16	180	88	100	18	4	14	155.5	G1/4"	2791	VKDOFNC040F
50	40	16	200	93	110	18	4	16	155.5	G1/4"	3126	VKDOFNC050F
63	50	16	230	111	125	18	4	16	155.5	G1/4"	3911	VKDOFNC063F



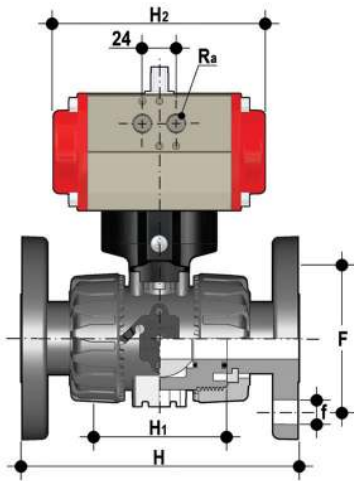
VKDOF/CP NO

DUAL BLOCK® Ball Valve with fixed flanges, drilled EN/ISO/DIN PN 10/16, face to face dimensions as per EN 558-1 with pneumatic actuator, Normally Open function

d	DN	PN	H	H ₁	F	f	U	Sp	H ₂	R _a	g	FKM Code
20	15	16	130	65	65	14	4	11	160	G1/8"	1255	VKDOFNO020F
25	20	16	150	70	75	14	4	14	138	G1/8"	1643	VKDOFNO025F
32	25	16	160	78	85	14	4	14	138	G1/8"	1803	VKDOFNO032F
40	32	16	180	88	100	18	4	14	155.5	G1/4"	2791	VKDOFNO040F
50	40	16	200	93	110	18	4	16	155.5	G1/4"	3126	VKDOFNO050F
63	50	16	230	111	125	18	4	16	155.5	G1/4"	3911	VKDOFNO063F

DIMENSIONS

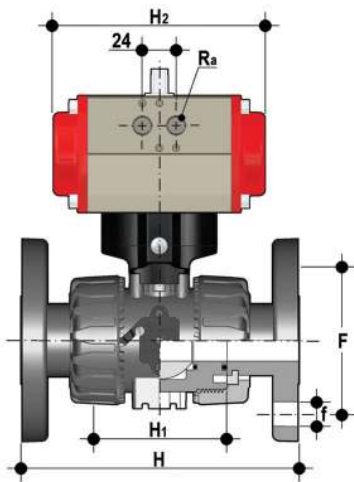
VKD/CP DN 10÷50 PVDF



VKDOAF/CP DA

DUAL BLOCK® ball valve with fixed flanges drilled ANSI B16.5 cl.150#FF with pneumatic actuator, Double-Acting function

d	DN	PN	H	H ₁	F	f	U	Sp	H ₂	R _a	g	FKM Code
1/2"	15	16	143	65	60.3	15.9	4	11	160	G1/8"	1195	VKDOAFDA012F
3/4"	20	16	172	70	69.9	15.9	4	14	138	G1/8"	1533	VKDOAFDA034F
1"	25	16	187	78	79.4	15.9	4	14	138	G1/8"	1693	VKDOAFDA100F
1" 1/4	32	16	190	88	88.9	15.9	4	14	155.5	G1/4"	2591	VKDOAFDA114F
1" 1/2	40	16	212	93	98.4	15.9	4	16	155.5	G1/4"	2926	VKDOAFDA112F
2"	50	16	234	111	120.7	19.1	4	16	155.5	G1/4"	3711	VKDOAFDA200F



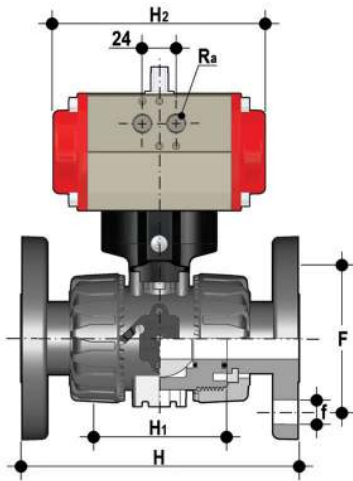
VKDOAF/CP NC

DUAL BLOCK® ball valve with fixed flanges drilled ANSI B16.5 cl.150#FF with pneumatic actuator, Normally Closed function

d	DN	PN	H	H ₁	F	f	U	Sp	H ₂	R _a	g	FKM Code
1/2"	15	16	143	65	60.3	15.9	4	11	160	G1/8"	1255	VKDOAFNC012F
3/4"	20	16	172	70	69.9	15.9	4	14	138	G1/8"	1643	VKDOAFNC034F
1"	25	16	187	78	79.4	15.9	4	14	138	G1/8"	1803	VKDOAFNC100F
1" 1/4	32	16	190	88	88.9	15.9	4	14	155.5	G1/4"	2791	VKDOAFNC114F
1" 1/2	40	16	212	93	98.4	15.9	4	16	155.5	G1/4"	3126	VKDOAFNC112F
2"	50	16	234	111	120.7	19.1	4	16	155.5	G1/4"	3911	VKDOAFNC200F

DIMENSIONS

VKD/CP DN 10÷50 PVDF

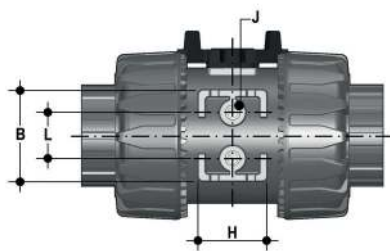


VKDOAF/CP NO

DUAL BLOCK® ball valve with fixed flanges drilled ANSI B16.5 cl.150#FF with pneumatic actuator, Normally Open function

d	DN	PN	H	H ₁	F	f	U	Sp	H ₂	R _a	g	FKM Code
1/2"	15	16	143	65	60.3	15.9	4	11	160	G1/8"	1255	VKDOAFNO012F
3/4"	20	16	172	70	69.9	15.9	4	14	138	G1/8"	1643	VKDOAFNO034F
1"	25	16	187	78	79.4	15.9	4	14	138	G1/8"	1803	VKDOAFNO100F
1" 1/4	32	16	190	88	88.9	15.9	4	14	155.5	G1/4"	2791	VKDOAFNO114F
1" 1/2	40	16	212	93	98.4	15.9	4	16	155.5	G1/4"	3126	VKDOAFNO112F
2"	50	16	234	111	120.7	19.1	4	16	155.5	G1/4"	3911	VKDOAFNO200F

FASTENING AND SUPPORTING



All valves, whether manual or actuated, must be adequately supported in many applications.

The VKD valve series is therefore set to be provided with threaded brackets (optional) that permit direct anchoring of the valve body without the need of other components.

For wall installation, dedicated PMKD mounting plates which are available as accessories can be used. These plates are to be fastened in place before the valve.

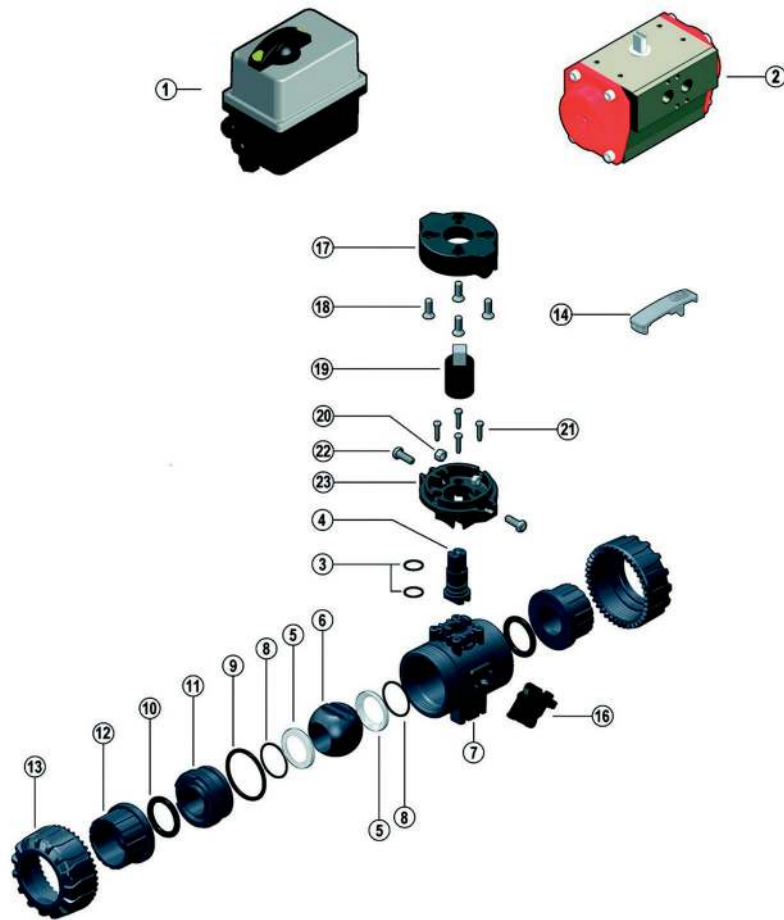
PMKD plates also allow VKD valve alignment with FIP ZIKM pipe clips as well as allowing different sizes of valves to be aligned.

d	DN	B	H	L	J*
16	10	31.5	27	20	M4 x 6
20	15	31.5	27	20	M4 x 6
25	20	40	30	20	M4 x 6
32	25	40	30	20	M4 x 6
40	32	50	35	30	M6 x 10
50	40	50	35	30	M6 x 10
63	50	60	40	30	M6 x 10

* With bracketing bushes

COMPONENTS

EXPLODED VIEW



- 1** Electric actuator (PA6-Nylon - 1)
- 2** Pneumatic actuator (Finished aluminium - 1)
- 3** Stem O-Ring (EPDM - FKM 2)*
- 4** Stem (PVC-U / PVC-C / PP-H / PVDF - 1)
- 5** Ball seal (PTFE - 2)*
- 6** Ball (PVC-U / PVC-C / PP-H / PVDF - 1)
- 7** Body (PVC-U / PVC-C / PP-H / PVDF - 1)

- 8** Ball seal O-Rings (EPDM-FKM - 2)*
- 9** Radial seal O-Ring (EPDM, FKM - 1)*
- 10** Socket seal O-Ring (EPDM-FKM - 2)*
- 11** Ball seat carrier (PVC-U / PVC-C / PP-H / PVDF - 1)
- 12** End connector (PVC-U / PVC-C / PP-H / PVDF - 2)*
- 13** Union nut (PVC-U / PVC-C / PP-H / PVDF - 2)

- 14** Handle insert (PVC-U - 1)
- 16** DUAL BLOCK® (POM - 1)
- 17** Upper plate (PP-GR - 1)
- 18** Screw (STAINLESS steel - 4)
- 19** Connection module (PP-GR/ stainless steel -1)
- 20** Nut (stainless steel - 2)
- 21** Screw (STAINLESS steel - 4)
- 22** Screw (STAINLESS steel - 2)
- 23** Lower plate (PP-GR - 1)

* Spare parts

The material the component is made of and the quantity supplied are shown in brackets

FASTENING AND SUPPORTING

DISASSEMBLY

- 1) Isolate the valve from the line (release the pressure and empty the pipeline).
- 2) Disconnect the actuator from the compressed air supply and/or power mains.
- 3) Remove the two screws (22) and lift the actuator (1/2) with the upper plate (17).
- 4) Release the union nuts by pressing the lever on the DUAL BLOCK® (16) along the axis and separate it from the union nut (fig. 1-2). It is also possible to completely remove the locking device from the valve body.
- 5) Fully unscrew the union nuts (13) and extract the body sideways (7).
- 6) Before dismantling, hold the valve in a vertical position and open it 45° to drain any liquid that might remain.
- 7) After closing the valve, remove the special insert (14) and push the two projecting ends into the corresponding recesses on the ball seat carrier (11), turning counter-clockwise to extract it (fig. 3).
- 8) Press on the ball from the side opposite the "REGULAR - ADJUST" label, being sure not to scratch it, until the ball seat carrier exits (11), then extract the ball (6).
- 9) Extract the connection module (19) by pulling up.
- 10) Press the stem (4) inwards until it exits the body.
- 11) Remove the O-Ring (3, 8, 9, 10) and PTFE ball seats (5) extracting them from their grooves, as illustrated in the exploded view.

ASSEMBLY

- 1) All the O-rings (3, 8, 9, 10) must be inserted in their grooves as shown in the exploded view.
- 2) Insert the stem (4) from inside the valve body (7).
- 3) Place the PTFE ball seats (5) in the housings in the body (7) and in the ball seat carrier (11).
- 4) Insert the ball (6) rotating it to the closed position.
- 5) Screw the carrier (11) into the body and tighten up in the clockwise direction using the insert (14) to limit stop.
- 6) If previously removed, reassemble the DUAL BLOCK® system (16) on the valve body
- 7) Insert the valve between the end connectors (12) and tighten the union nuts (13) making sure that the socket seal O-rings (10) do not exit their seats.
- 8) Insert the connection module (19) on the stem (4).
- 9) Reassemble the actuator (1/2) with plate (17) on the valve making sure the ball position (6) and actuator stem are aligned.
- 10) Tighten the two screws (22) and reconnect the actuator to the pneumatic and/or power supplies.



All operations on equipment under pressure or containing compressed springs must be carried out under safe conditions for the operator.

Note: during mounting operations, it is advisable to lubricate the rubber seals. Mineral oils are not recommended for this task as they react aggressively with EPDM rubber.

The photos refer to the manual version and are purely exemplary.

Fig. 1



Fig. 2



Fig. 3



INSTALLATION

Before proceeding with installation, please follow these instructions carefully:

- 1) Check that the pipes to be connected to the valve are aligned in order to avoid mechanical stress on the threaded joints.
- 2) Check that the DUAL BLOCK® union nut locking device (16) is installed on the valve body.
- 3) To release the union nuts, axially press the release lever to separate the lock and then unscrew it in the counter-clockwise direction.
- 4) Unscrew the union nuts (13) and insert them on the pipe segments.
- 5) Solvent weld or screw the end connectors (12) onto the pipe ends.
- 6) Position the valve body between the end connectors and fully tighten the union nuts (13) manually by rotating clockwise without using wrenches or other tools that could damage the union nut surface.
- 7) Lock the union nuts by returning the DUAL BLOCK® to its housing, pressing on it until the hinges lock on the nuts.
- 8) If necessary, support the pipework with FIP pipe clips or by means of the carrier built into the valve itself (see paragraph "fastening and supporting").

The seals can be adjusted with the valve installed on the pipe by simply tightening the union nuts. This "micro adjustment", only possible with FIP valves thanks to the patented "Seat stop system", allows the seal to be recovered where PTFE ball seats are worn due to a high number of manoeuvres.

The Easytorque kit can also be used for micro adjustments (fig. 4).

Fig.4



WARNINGS

- If volatile liquid such as Hydrogen Peroxide (H₂O₂) or Sodium Hypochlorite (NaClO) is used, for safety reasons we recommend you contact the service centre. These liquids, upon vaporising, could create hazardous over pressures in the area between the body and ball.
- Always avoid sudden closing manoeuvres that can generate water hammer. For this reason, we recommend you equip pneumatic actuators with air speed reducers.