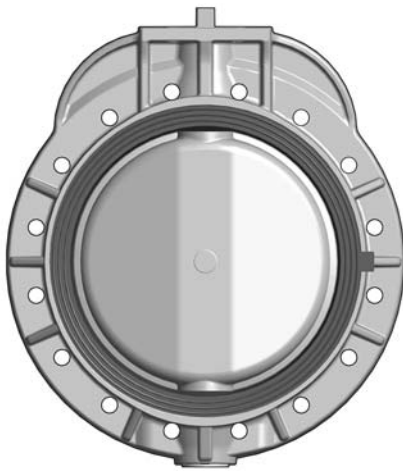




FKOAV/FM 14''- 16'' ANSI 150

Butterfly valve with bare shaft and PVCU disc



Technical specifications

Construction	Bi-directional centric butterfly valve
Size range	DN 350 - 400
Nominal pressure	DN 350: PN 7 with water at 20 °C DN 400: PN 6 with water at 20 °C
Temperature range	0 °C ÷ 60 °C
Coupling standards	Flanging system: ASTM B16.5 Cl.150
Reference standards	Construction criteria: EN ISO 16135, EN ISO 1452, EN ISO 15493 Test methods and requirements: ISO 9393 Actuator couplings: ISO 5211
Valve material	Body: PP-GR Disk: PVC-U Shaft: STAINLESS steel AISI 316
Seal material	Liner: EPDM (ACS-NSF61), FPM.
Control options	Gearbox, pneumatic actuator, electric actuator

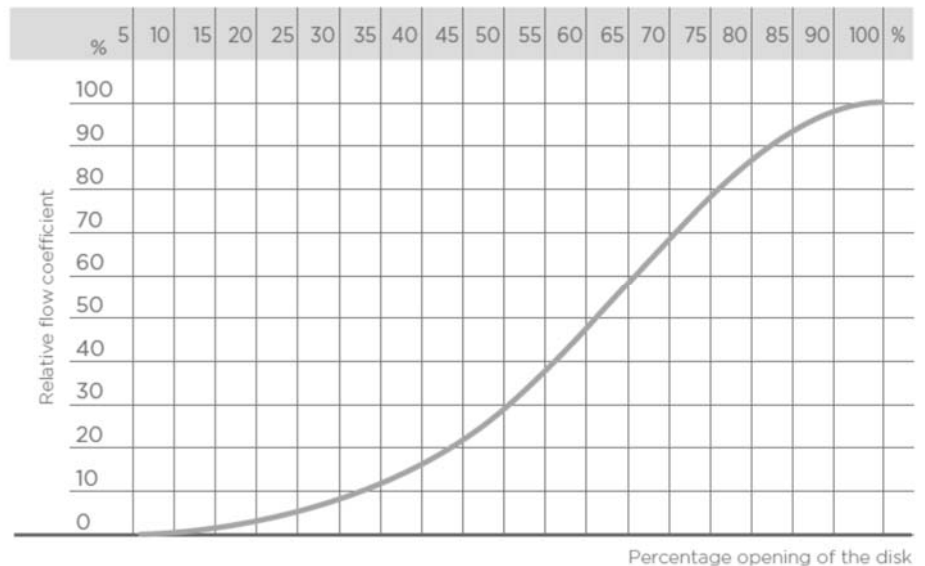
KV100 FLOW COEFFICIENT

The Kv100 flow coefficient is the Q flow rate of litres per minute of water at a temperature of 20°C that will generate $\Delta p = 1$ bar pressure drop with the valve completely open.

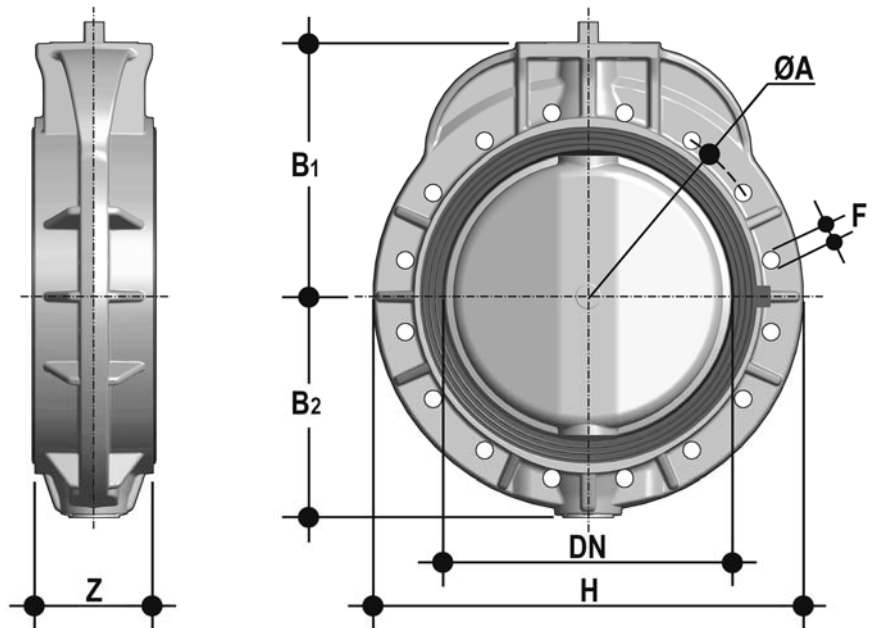
DN	350	400
K _v 100 l/min	94.100	124.900

RELATIVE FLOW COEFFICIENT DIAGRAM

The relative flow coefficient is the flow rate through the valve as a function of the degree of valve aperture. completely open.



DIMENSIONS

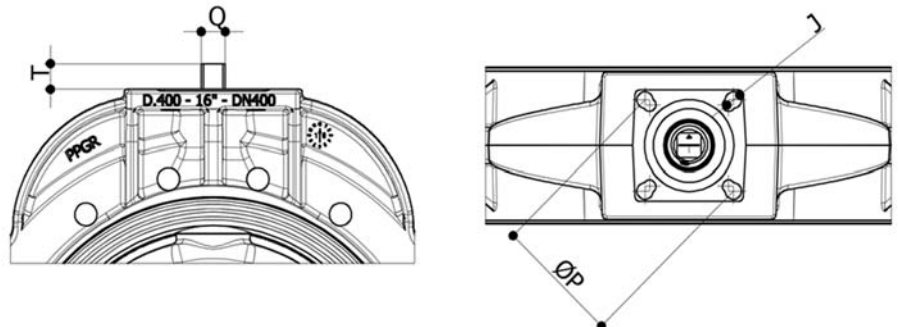


Size	DN	PN	ØA	B1	B2	f	H	U	Z	g	EPDM Code	FPM Code
14"	350	7	476,3	330	280	28,5	530	12	129	26000	FKOAVFM814E	FKOAVFM814F
16"	400	6	539,7	350	306	28,5	594	16	169	34000	FKOAVFM816E	FKOAVFM816F

U = Number of holes
g = weight in grams

ACTUATOR MOUNTING FLANGE

The valve can be equipped with standard pneumatic or electric actuators and gearbox for heavy-duty operations, using a flange in PP-GR reproducing the drilling pattern provided for by standard ISO 5211.



Size	DN	J	ØP	ISO 5211	T	Q	MAX TORQUE
14"	350	14-18	125 / 140	F12 / F14	29	27	480 Nm
16"	400	14-18	125 / 140	F12 / F14	29	27	625 Nm

HYGIENIC APPROVALS

FIP PVC-U/EPDM butterfly valves are certified as suitable for coming into contact with water intended for human consumption according to the Attestation de conformité sanitaire (ACS) and to the NSF/ANSI Standard 61 - Drinking Water System Components - Health Effects



Certified to
NSF/ANSI 61