

### Technical specifications

|                            |  |
|----------------------------|--|
| <b>Construction</b>        | Bi-directional centric butterfly valve   |
| <b>Size range</b>          | DN 350 - 400   |
| <b>Nominal pressure</b>    | <b>DN 350:</b> PN 7 with water at 20 °C<br><b>DN 400:</b> PN 6 with water at 20 °C   |
| <b>Temperature range</b>   | 0 °C ÷ 60 °C   |
| <b>Coupling standards</b>  | <b>Flanging system:</b> EN ISO 1452, EN ISO 15493, DIN2501, ISO 7005-1, EN 1092-1  |
| <b>Reference standards</b> | <b>Construction criteria:</b> EN ISO 16135, EN ISO 1452, EN ISO 15493<br><b>Test methods and requirements:</b> ISO 9393<br><b>Actuator couplings:</b> ISO 5211 |
| <b>Valve material</b>      | <b>Body:</b> PP-GR<br><b>Disk:</b> PVC-U<br><b>Shaft:</b> STAINLESS steel AISI 316   |
| <b>Seal material</b>       | <b>Liner:</b> EPDM (ACS-NSF61), FPM.   |
| <b>Control options</b>     | Gearbox, pneumatic actuator, electric actuator   |

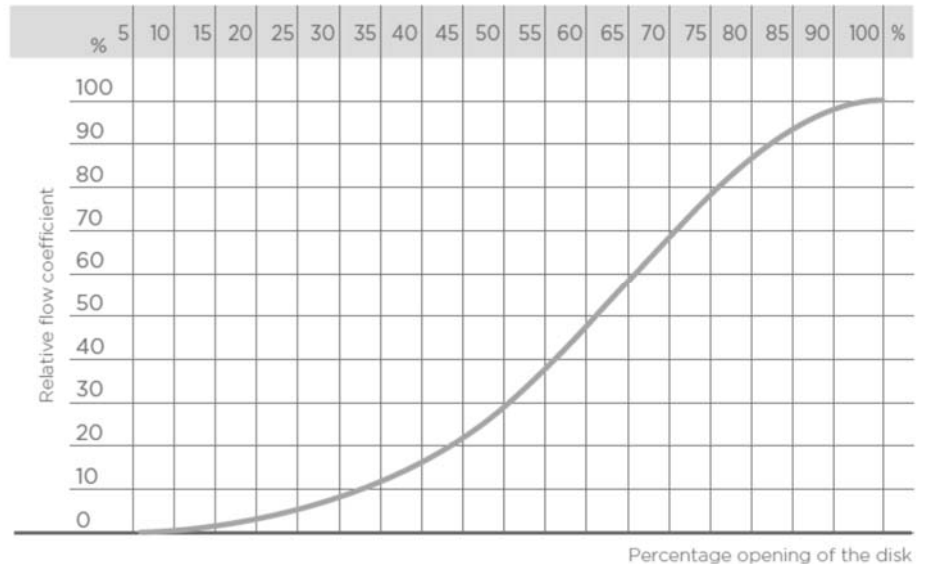
### KV100 FLOW COEFFICIENT

The Kv100 flow coefficient is the Q flow rate of litres per minute of water at a temperature of 20°C that will generate  $\Delta p = 1$  bar pressure drop with the valve completely open.

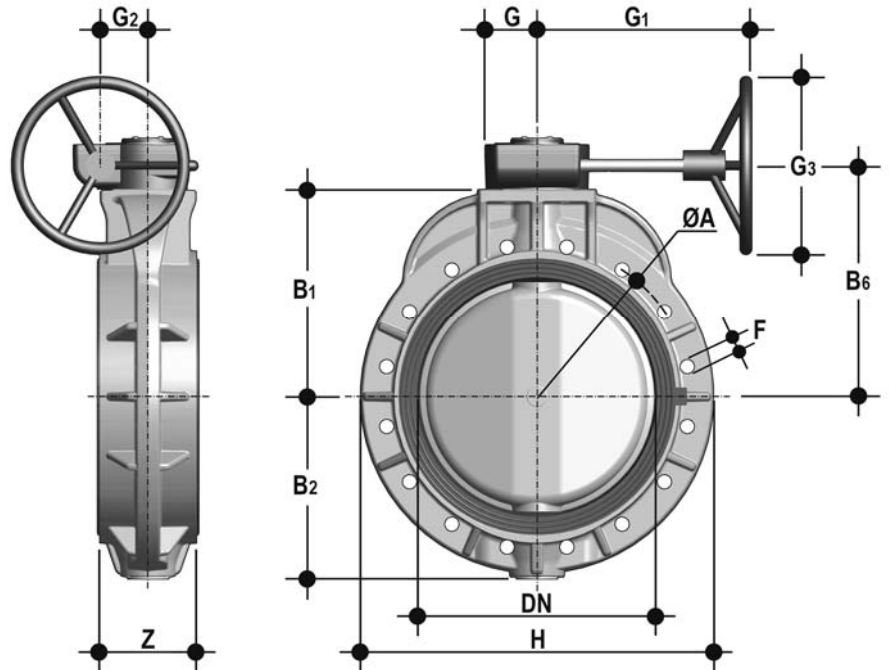
| DN                       | 350    | 400     |
|--------------------------|--------|---------|
| K <sub>v</sub> 100 l/min | 94.100 | 124.900 |

### RELATIVE FLOW COEFFICIENT DIAGRAM

The relative flow coefficient is the flow rate through the valve as a function of the degree of valve aperture. completely open.



## DIMENSIONS

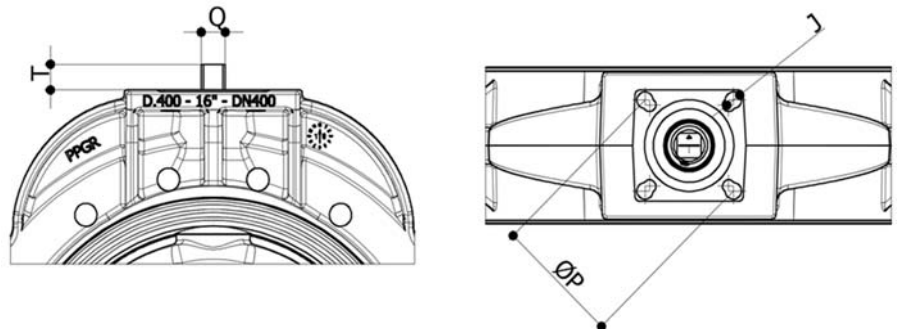


| d   | DN  | PN | ØA  | B1  | B2  | B6  | G  | G1  | G2 | G3  | f  | H   | U  | Z   | g     | EPDM Code  | FPM Code   |
|-----|-----|----|-----|-----|-----|-----|----|-----|----|-----|----|-----|----|-----|-------|------------|------------|
| 355 | 350 | 7  | 460 | 330 | 280 | 390 | 88 | 361 | 80 | 300 | 22 | 530 | 16 | 129 | 34450 | FKOVRM355E | FKOVRM355F |
| 400 | 400 | 6  | 515 | 350 | 306 | 390 | 88 | 361 | 80 | 300 | 26 | 594 | 16 | 169 | 42450 | FKOVRM400E | FKOVRM400F |

U = Number of holes  
g = weight in grams

### ACTUATOR MOUNTING FLANGE

The valve can be equipped with standard pneumatic or electric actuators and gearbox for heavy-duty operations, using a flange in PP-GR reproducing the drilling pattern provided for by standard ISO 5211.



| d   | DN  | J     | ØP        | ISO 5211  | T  | Q  | MAX TORQUE |
|-----|-----|-------|-----------|-----------|----|----|------------|
| 355 | 350 | 14-18 | 125 / 140 | F12 / F14 | 29 | 27 | 480 Nm     |
| 400 | 400 | 14-18 | 125 / 140 | F12 / F14 | 29 | 27 | 625 Nm     |

### HYGIENIC APPROVALS

FIP PVC-U/EPDM butterfly valves are certified as suitable for coming into contact with water intended for human consumption according to the Attestation de conformité sanitaire (ACS) and to the NSF/ANSI Standard 61 - Drinking Water System Components - Health Effects



Certified to  
NSF/ANSI 61